



High Power Limiter, Field Replaceable SMA, 100W Peak Power, 15 us Recovery, 13 dBm Flat Leakage, 20 MHz to 4 GHz

Limiters Technical Data Sheet

PE80L2003

Features

- 2 Watt Input Power(CW)
- 20 MHz to 4 GHz Frequency Range
- 0.8 dB Insertion Loss max.
- Leakage @ 1 Watt CW +13 dBm Max
- +50 dBm Peak Input Power
- Limiting Threshold +10 dBm
- Field Replaceable SMA Connectors
- Fast Response and Short Recovery Time 15 μ s typical
- Compact and Rugged Thin Film Construction

Applications

- Electronic Warfare
- Test & Measurement
- Military & Space
- Military Communication Systems
- Stabilizing generator outputs
- Reducing amplitude variations
- Protects low noise amplifiers and other devices from ESD or input power damage
- Receiver Protection
- Weapon systems

Description

The PE80L2003 is an Signal Limiter that operates in the 20 MHz to 4 GHz frequency range. The Limiter has up to 2 Watts CW input power handling capability with a +13 dBm max leakage output power level and +50 dBm peak input power. Typical performance includes 0.8 dB max insertion loss, 1.8:1 typical input VSWR, and a fast response and short recovery time of 15 μ sec. The excellent technical performance is achieved through the use of thin film stripline circuit construction. The low profile pin package supports field replaceable SMA connectors and can be drop mounted onto a PWB. The Limiter is designed for high reliability and meets MIL-STD-202F environmental test conditions for Humidity, Shock, Vibration, and Altitude.

Electrical Specifications

Description	Minimum	Typical	Maximum	Units
Frequency Range	0.02		4	GHz
Insertion Loss			0.8	dB
Input VSWR		1.8:1		
Leakage (CW) @ 1 Watt CW			+13	dBm
Recovery Time		15		us
Input Power (CW)			2	Watt
Input Power (Peak) @10 μ s Pulse Width 5% Duty Cycle			100	Watt
Limiting Threshold	+10			dBm

Click the following link (or enter part number in "SEARCH" on website) to obtain additional part information including price, inventory and certifications: [High Power Limiter, Field Replaceable SMA, 100W Peak Power, 15 us Recovery, 13 dBm Flat Leakage, 20 MHz to 4 GHz PE80L2003](#)



High Power Limiter, Field Replaceable SMA, 100W Peak Power,
15 us Recovery, 13 dBm Flat Leakage, 20 MHz to 4 GHz

Limiters Technical Data Sheet

PE80L2003

Mechanical Specifications

Size

Length	0.985 in [25.02 mm]
Width	0.985 in [25.02 mm]
Height	0.473 in [12.01 mm]
Weight	0.06 lbs [27.22 g]

Configuration

Style	Limiter
Package Style	Connectorized
Connector 1	SMA Female
Connector 2	SMA Female
Connector Option	Field Replaceable

Environmental Specifications

Temperature

Operating Range	0 to +50 deg C
Storage Range	-45 to +100 deg C

Humidity	MIL-STD-202F, Method 103B, Condition B
Shock	MIL-STD-202F, Method 213B, Condition B
Vibration	MIL-STD-202F, Method 204D, Condition B
Altitude	MIL-STD-202F, Method 105C, Condition B

Compliance Certifications (see [product page](#) for current document)

DFARS Compliant	01/12/2017
-----------------	------------

Plotted and Other Data

Notes:

Click the following link (or enter part number in "SEARCH" on website) to obtain additional part information including price, inventory and certifications: [High Power Limiter, Field Replaceable SMA, 100W Peak Power, 15 us Recovery, 13 dBm Flat Leakage, 20 MHz to 4 GHz PE80L2003](#)

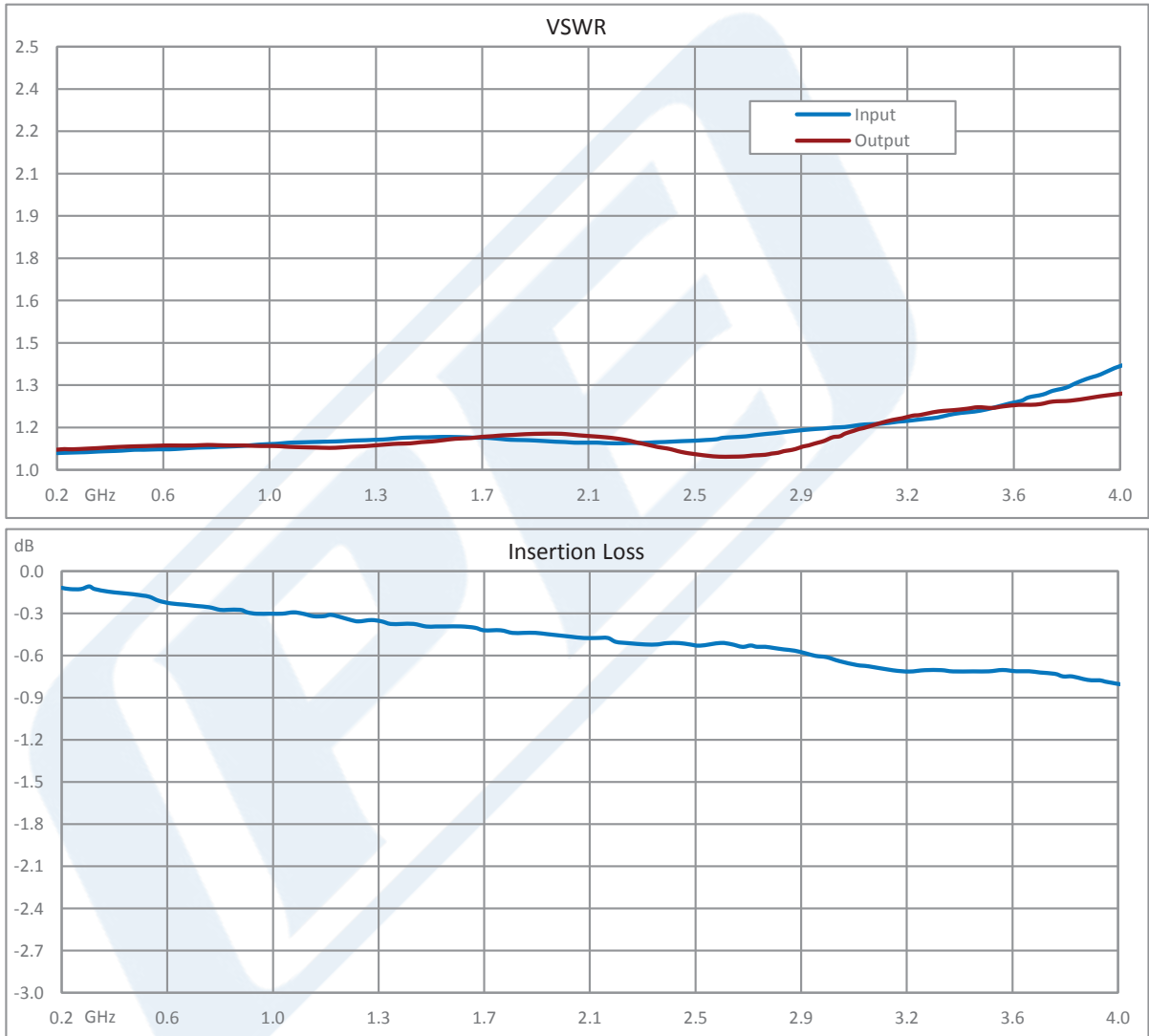


High Power Limiter, Field Replaceable SMA, 100W Peak Power,
15 us Recovery, 13 dBm Flat Leakage, 20 MHz to 4 GHz

Limiters Technical Data Sheet

PE80L2003

Typical Performance Data



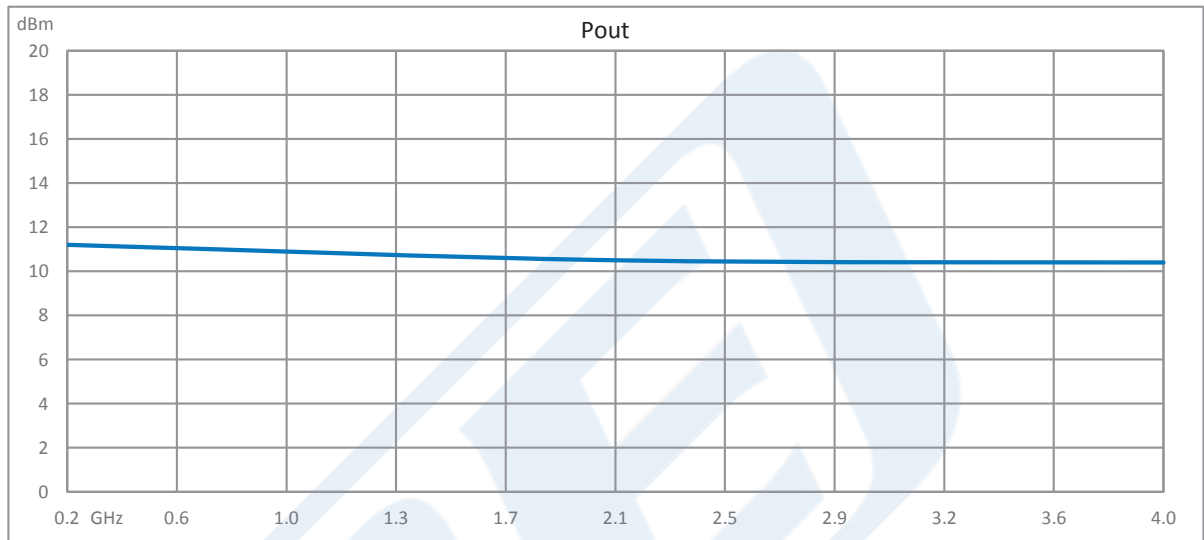
Click the following link (or enter part number in "SEARCH" on website) to obtain additional part information including price, inventory and certifications: [High Power Limiter, Field Replaceable SMA, 100W Peak Power, 15 us Recovery, 13 dBm Flat Leakage, 20 MHz to 4 GHz PE80L2003](#)



High Power Limiter, Field Replaceable SMA, 100W Peak Power,
15 us Recovery, 13 dBm Flat Leakage, 20 MHz to 4 GHz

Limiters Technical Data Sheet

PE80L2003



High Power Limiter, Field Replaceable SMA, 100W Peak Power, 15 us Recovery, 13 dBm Flat Leakage, 20 MHz to 4 GHz from Pasternack Enterprises has same day shipment for domestic and International orders. Our RF, microwave and millimeter wave products maintain a 99.4% availability and are part of the broadest selection in the industry.

Click the following link (or enter part number in "SEARCH" on website) to obtain additional part information including price, inventory and certifications: [High Power Limiter, Field Replaceable SMA, 100W Peak Power, 15 us Recovery, 13 dBm Flat Leakage, 20 MHz to 4 GHz PE80L2003](https://www.pasternack.com/sma-limiter-15-us-13-dbm-4-ghz-pe80l2003-p.aspx)

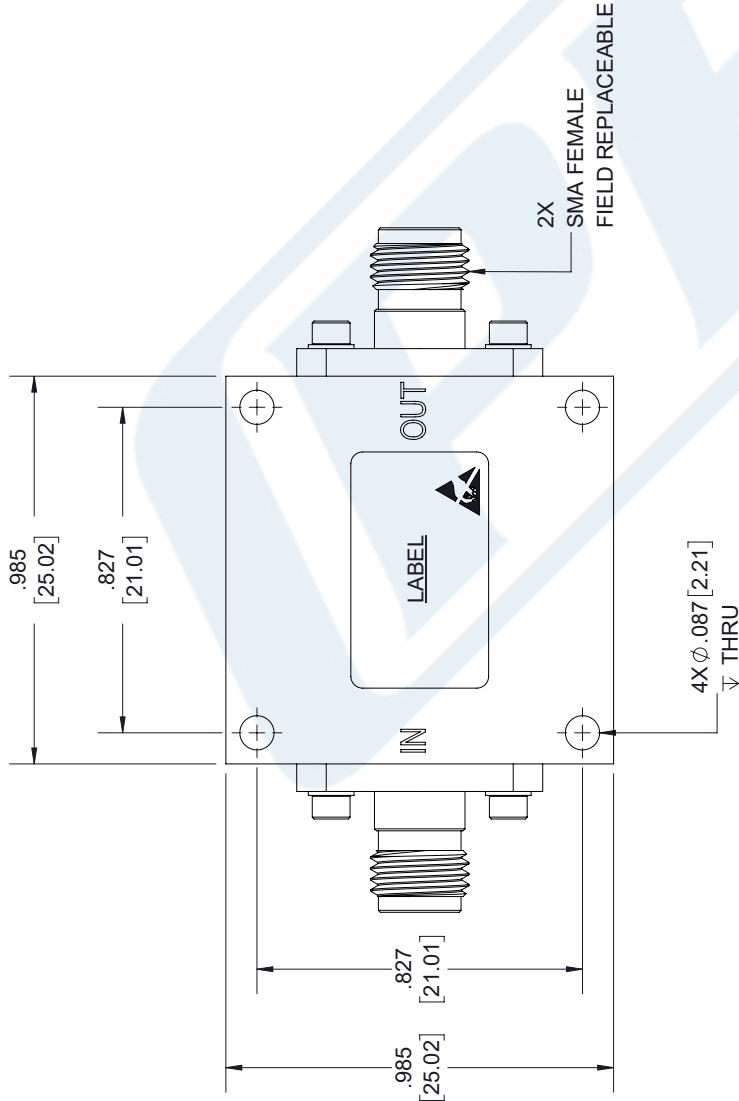
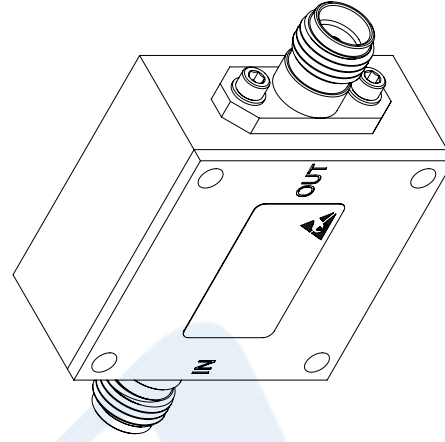
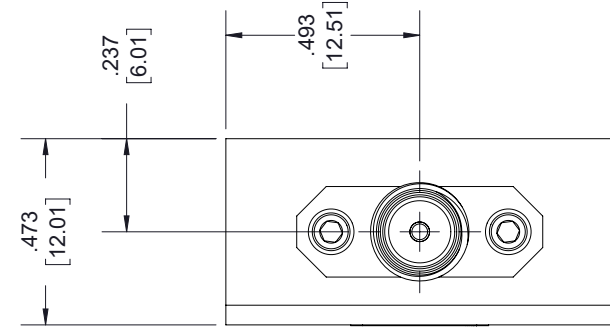
URL: <https://www.pasternack.com/sma-limiter-15-us-13-dbm-4-ghz-pe80l2003-p.aspx>

The information contained in this document is accurate to the best of our knowledge and representative of the part described herein. It may be necessary to make modifications to the part and/or the documentation of the part, in order to implement improvements. Pasternack reserves the right to make such changes as required. Unless otherwise stated, all specifications are nominal. Pasternack does not make any representation or warranty regarding the suitability of the part described herein for any particular purpose, and Pasternack does not assume any liability arising out of the use of any part or documentation.

PE80L2003 CAD Drawing

High Power Limiter, Field Replaceable SMA, 100W Peak Power,
15 us Recovery, 13 dBm Flat Leakage, 20 MHz to 4 GHz

REVISIONS			
REV.	DESCRIPTION	DATE	APPROVED
A	INITIAL RELEASE	04/23/19	T. GALLA



UNLESS OTHERWISE SPECIFIED
LEADING DIMENSIONS ARE INCHES
DIMENSIONS IN [] ARE MILLIMETERS

TOLERANCES:
X±.2 [5.08] FRACTIONS
XX±.01 [.25] ±.132
XXX±.005 [.13] ANGLES ± 1°

ALL DIMENSIONS SHOWN
ARE FOR REFERENCE ONLY.

THIRD-ANGLE PROJECTION

PE PASTERNAK
an INFINITI[®] brand

Pasternack Enterprises, Inc.
P.O. Box 16759, Irvine, CA 92623.
Phone: 1,949,261,1920 | 1,866,727,8376
Fax: 1,949,261,7451
www.pasternack.com | e-mail: sales@pasternack.com

THE INFORMATION AND DESIGN IN THIS DOCUMENT IS THE PROPERTY OF PASTERNAK CORPORATION. ALL RIGHTS RESERVED.

SHEET 1 OF 1
SCALE N/A

SIZE A CAGE DRAWN BY PART NUMBER
53919 K.DANG PE80L2003
REV A

LABEL:

PE PASTERNAK
an INFINITI[®] brand

PE80L2003
S/N: XXXXXXXX
D/C: XXXX

THESE COMMODITIES, TECHNOLOGY OR SOFTWARE WERE EXPORTED FROM THE UNITED STATES IN ACCORDANCE WITH THE EXPORT ADMINISTRATION REGULATIONS. DIVERSION CONTRARY TO U.S. LAW PROHIBITED.