



DC Block on Inner and Outer Conductor 75 Ohm N Male  
to N Female Operating From 100 MHz to 4 GHz

TECHNICAL DATA SHEET

PE8236

**DC Block on Inner and Outer Conductor 75 Ohm N Male to N Female Operating From 100 MHz to 4 GHz**

**Configuration**

Design	Inner/Outer DC Block
Body Style	Straight
Impedance	75 Ohms
Connector 1	N Male
Connector 2	N Female

**Electrical Specifications**

Frequency Range, GHz	0.1 to 4
Impedance, Ohms	75
Maximum VSWR	1.35:1
Maximum Insertion Loss, dB	0.5
Maximum Operating Voltage, Vrms	200

**Mechanical Specifications**

**Temperature**

Operating Range, deg C	-65 to +125
------------------------	-------------

**Size**

Length, in [mm]	1.9 [48.26]
Width/Dia., in [mm]	0.8 [20.32]

**Connector 1**

Type	N Male
Inner Conductor Material and Plating	Beryllium Copper, Gold
Coupling Nut Material and Plating	Passivated Stainless Steel
Body Material and Plating	Passivated Stainless Steel

**Connector 2**

Type	N Female
Inner Conductor Material and Plating	Beryllium Copper, Gold
Outer Conductor Material and Plating	Passivated Stainless Steel
Body Material and Plating	Passivated Stainless Steel

**Compliance Certifications** (visit [www.Pasternack.com](http://www.Pasternack.com) for current document)

RoHS Compliant	Yes
----------------	-----

Click the following link (or enter part number in "SEARCH" on website) to obtain additional part information including price, inventory and certifications: [DC Block on Inner and Outer Conductor 75 Ohm N Male to N Female Operating From 100 MHz to 4 GHz PE8236](#)

The information contained in this document is accurate to the best of our knowledge and representative of the part described herein. It may be necessary to make modifications to the part and/or the documentation of the part, in order to implement improvements. Pasternack reserves the right to make such changes as required. Unless otherwise stated, all specifications are nominal.



DC Block on Inner and Outer Conductor 75 Ohm N Male  
to N Female Operating From 100 MHz to 4 GHz

TECHNICAL DATA SHEET

PE8236

**Plotted and Other Data**

Notes:

Values at 25 °C, sea level

75 Ohm Type N Connectors Mate Only With Other 75 Ohm Type N Series. Mating With 50 Ohm Type N Connectors May Cause Damage.

DC Block on Inner and Outer Conductor 75 Ohm N Male to N Female Operating From 100 MHz to 4 GHz from Pasternack Enterprises has same day shipment for domestic and International orders. Our RF, microwave and fiber optic products maintain a 99% availability and are part of the broadest selection in the industry.

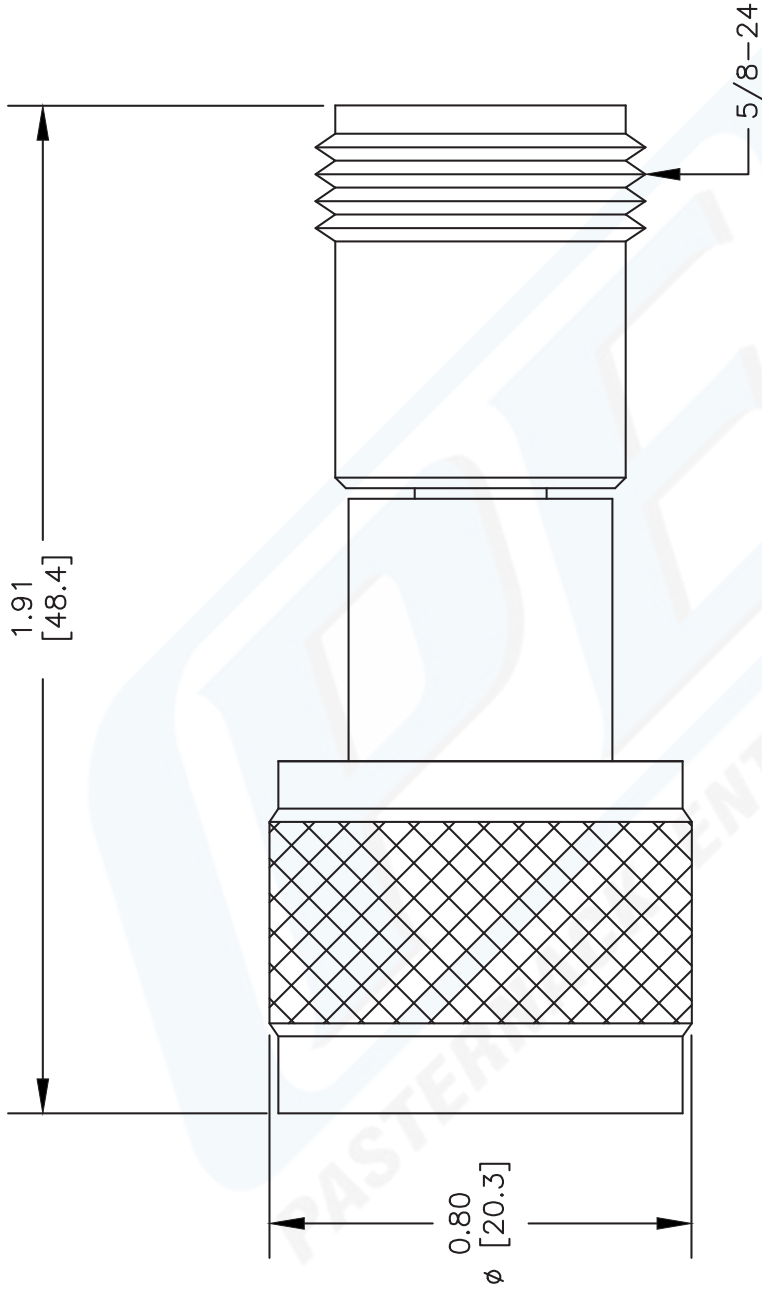
Click the following link (or enter part number in "SEARCH" on website) to obtain additional part information including price, inventory and certifications: [DC Block on Inner and Outer Conductor 75 Ohm N Male to N Female Operating From 100 MHz to 4 GHz PE8236](http://www.pasternack.com/dc-block-n-male-to-n-female-100-mhz-4-ghz-pe8236-p.aspx)

URL: <http://www.pasternack.com/dc-block-n-male-to-n-female-100-mhz-4-ghz-pe8236-p.aspx>

The information contained in this document is accurate to the best of our knowledge and representative of the part described herein. It may be necessary to make modifications to the part and/or the documentation of the part, in order to implement improvements. Pasternack reserves the right to make such changes as required. Unless otherwise stated, all specifications are nominal.

# PE8236 CAD Drawing

DC Block on Inner and Outer Conductor 75 Ohm N Male to  
N Female Operating From 100 MHz to 4 GHz



NOTES:  
1. UNLESS OTHERWISE SPECIFIED ALL DIMENSIONS ARE NOMINAL.  
2. ALL SPECIFICATIONS ARE SUBJECT TO CHANGE WITHOUT NOTICE AT ANY TIME.  
3. DIMENSIONS ARE IN INCHES [mm].

DWG TITLE  
**PE8236**

FSCM NO. **53919**

CAD FILE 080802

SCALE N/A

SIZE A

127

**PE PASTERNAK®**  
Pasternack Enterprises, Inc.  
P.O. Box 16759 | Irvine | CA | 92623  
Phone: (949) 261-1920 | Fax: (949) 261-7451  
Website: [www.pasternack.com](http://www.pasternack.com) | E-Mail: [sales@pasternack.com](mailto:sales@pasternack.com)