



Adjustable Phase Shifter, DC to 18 GHz, With an Adjustable Phase of 60 Deg. Per GHz and SMA

Phase Shifters and Trimmers Technical Data Sheet

PE8255

Electrical Specifications

Description	Minimum	Typical	Maximum	Units
Frequency Range	DC		18	GHz
Impedance		50		Ohms
Phase Adjustment	0		60	Deg/GHz
Input VSWR			1.6:1	
Output VSWR			1.6:1	
Insertion Loss			1	dB
Group Delay			260	ps
Input Power, CW			100	Watts
Input Power, Peak			3	kWatts

Electrical Specification Notes:
Insertion Phase min. setting @ 1.0 GHz

Mechanical Specifications

Size

Length	8.13 in [206.5 mm]
Width/Diameter	2 in [50.8 mm]
Height	1.85 in [46.99 mm]
Weight	1.192 lbs [540.68 g]
Finish	GY
Body Material and Plating	Aluminum

Configuration

Package Style	Connectorized
Input Connector	SMA Female
Output Connector	SMA Female

Environmental Specifications

Compliance Certifications (see [product page](#) for current document)

Plotted and Other Data

Notes:

Click the following link (or enter part number in "SEARCH" on website) to obtain additional part information including price, inventory and certifications: [Adjustable Phase Shifter, DC to 18 GHz, With an Adjustable Phase of 60 Deg. Per GHz and SMA PE8255](#)



Adjustable Phase Shifter, DC to 18 GHz, With an Adjustable Phase of 60 Deg. Per GHz and SMA

Phase Shifters and Trimmers Technical Data Sheet

PE8255

Adjustable Phase Shifter, DC to 18 GHz, With an Adjustable Phase of 60 Deg. Per GHz and SMA from Pasternack Enterprises has same day shipment for domestic and International orders. Our RF, microwave and millimeter wave products maintain a 99.4% availability and are part of the broadest selection in the industry.

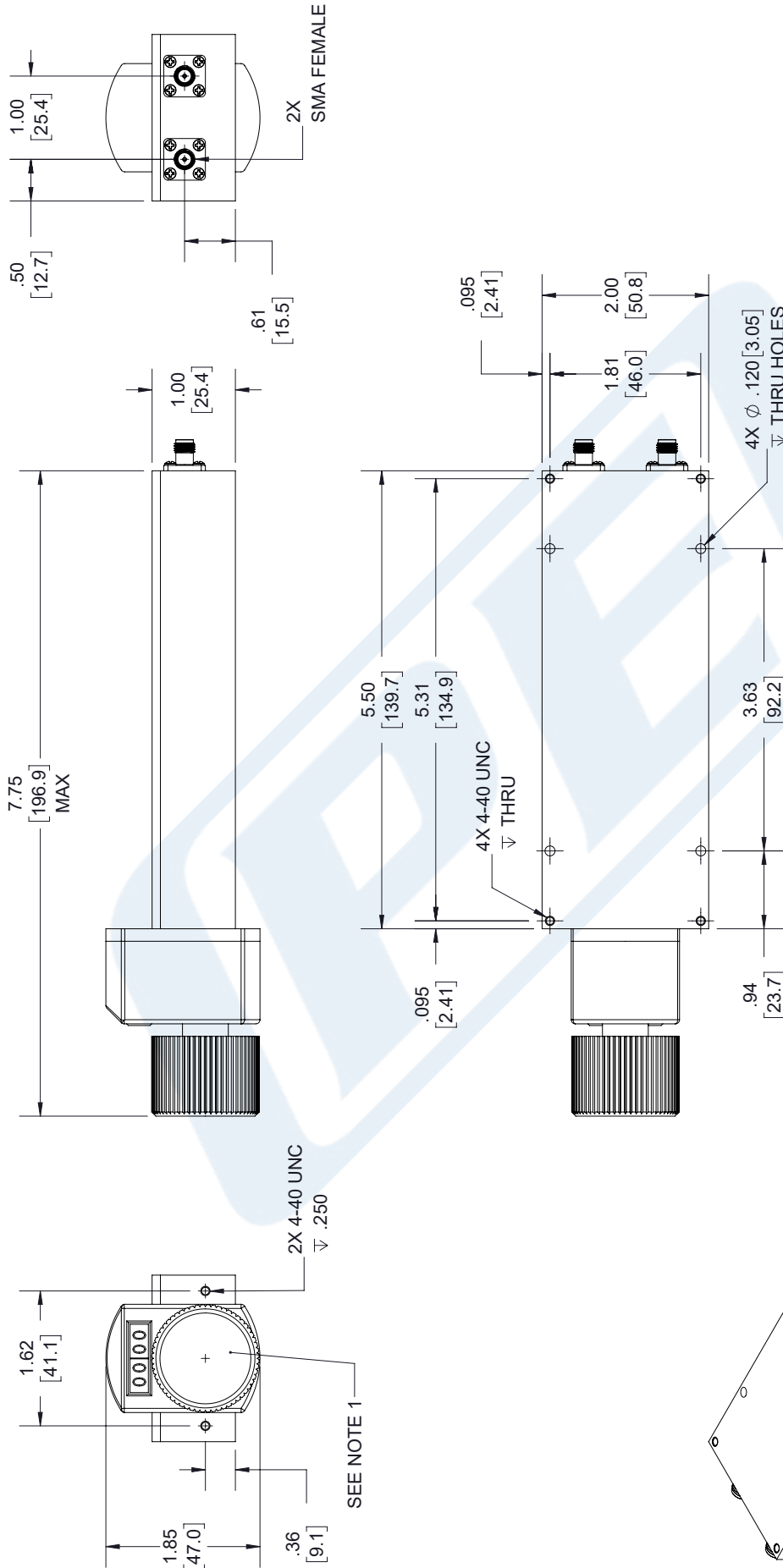
Click the following link (or enter part number in "SEARCH" on website) to obtain additional part information including price, inventory and certifications: [Adjustable Phase Shifter, DC to 18 GHz, With an Adjustable Phase of 60 Deg. Per GHz and SMA PE8255](https://www.pasternack.com/adjustable-phase-shifter-18-ghz-sma-60-deg-per-ghz-pe8255-p.aspx)

URL: <https://www.pasternack.com/adjustable-phase-shifter-18-ghz-sma-60-deg-per-ghz-pe8255-p.aspx>

PE8255 CAD Drawing

Adjustable Phase Shifter, DC to 18 GHz, With an Adjustable Phase of 60 Deg. Per GHz and SMA

REVISIONS			
REV.	DESCRIPTION	DATE	APPROVED
1.1	PCR PE8255 20190513	05/13/19	J.GARCIA



NOTES:

- DIAL ORIENTATION: UNIT SHIPPED FROM FACTORY WITH DIA POSITIONED AS SHOWN. DIA CAN BE REPOSITIONED BY CUSTOMER AS NEEDED.
- ALL MODELS HAVE AN RF POWER RATING OF 100W AVG & 3 KW PEAK.

UNLESS OTHERWISE SPECIFIED LEADING DIMENSIONS ARE INCHES DIMENSIONS IN [] ARE MILLIMETERS

TOLERANCES:

X±.2	[5.08]	FRACTIONS
.XX±.01	[.25]	±132
.XXX±.005	[.13]	ANGLES ± 1°

ALL DIMENSIONS SHOWN ARE FOR REFERENCE ONLY.

THIRD-ANGLE PROJECTION

PE PASTERNAK
an INFINITO brand

Pasternack Enterprises, Inc.
P.O. Box 16759, Irvine, CA 92623.
Phone: 1.949.261.1920 | 1.866.727.8376
Fax: 1.949.261.7451
www.pasternack.com | e-mail: sales@pasternack.com

THE INFORMATION AND DESIGN IN THIS DOCUMENT IS THE PROPERTY OF PASTERNAK CORPORATION. ALL RIGHTS RESERVED.

SHEET 1 OF 1
SCALE N/A

SIZE	CAGE	DRAWN BY	PART NUMBER	REV
A	53919	K.DANG	PE8255	1.1

THESE COMMODITIES, TECHNOLOGY OR SOFTWARE WERE EXPORTED FROM THE UNITED STATES IN ACCORDANCE WITH THE EXPORT ADMINISTRATION REGULATIONS. DIVERSION CONTRARY TO U.S. LAW PROHIBITED.