



2x Frequency Multiplier Module, 4 GHz to 12 GHz
Output Frequency, SMA, 11 dB Conversion Loss

Frequency Multipliers Technical Data Sheet

PE8601

Features

- x2 Frequency Multiplier
- Wide Frequency Band
- Low Conversion Loss

Applications

- Electronic Warfare
- Point-to-Point Radio
- Point-to-Multipoint Radio
- VSAT Radios
- Space Systems
- Test Instrumentation
- Telecommunications

Description

Pasternack's PE8601 is a frequency multiplier with a multiplication factor of 2, also known as a frequency doubler. This frequency doubler covers a wide output frequency range of 4 GHz to 12 GHz. Typical performance of this frequency multiplier includes 11 dB conversion loss. The PE8601 frequency multiplier also provides 25 dB minimum fundamental isolation.

Electrical Specifications (TA= 25°C)

Description	Minimum	Typical	Maximum	Units
Input Frequency Range	2		6	GHz
Output Frequency Range	4		12	GHz
Impedance		50		Ohms
Input Power (CW)	+10		+13	dBm
Conversion Loss		11		dB
Fundamental Isolation	25			dB

Electrical Specification Notes:
Values at 25°C, sea level.
Fundamental isolation referenced to input signal.

Mechanical Specifications

Size	
Length	1.55 in [39.37 mm]
Width	0.31 in [7.87 mm]
Height	0.59 in [14.99 mm]
Weight	0.027 lbs [12.25 g]
Body Material and Plating	Passivated Stainless Steel
Package Type	Connectorized
Input Connector	SMA Female
Output Connector	SMA Female

Click the following link (or enter part number in "SEARCH" on website) to obtain additional part information including price, inventory and certifications: [2x Frequency Multiplier Module, 4 GHz to 12 GHz Output Frequency, SMA, 11 dB Conversion Loss PE8601](#)



2x Frequency Multiplier Module, 4 GHz to 12 GHz
Output Frequency, SMA, 11 dB Conversion Loss

Frequency Multipliers Technical Data Sheet

PE8601

Environmental Specifications

Temperature

Operating Range

-55 to +125 deg C

Storage Range

-65 to +150 deg C

Compliance Certifications (see [product page](#) for current document)

Plotted and Other Data

Notes:

2x Frequency Multiplier Module, 4 GHz to 12 GHz Output Frequency, SMA, 11 dB Conversion Loss from Pasternack Enterprises has same day shipment for domestic and International orders. Our RF, microwave and millimeter wave products maintain a 99% availability and are part of the broadest selection in the industry.

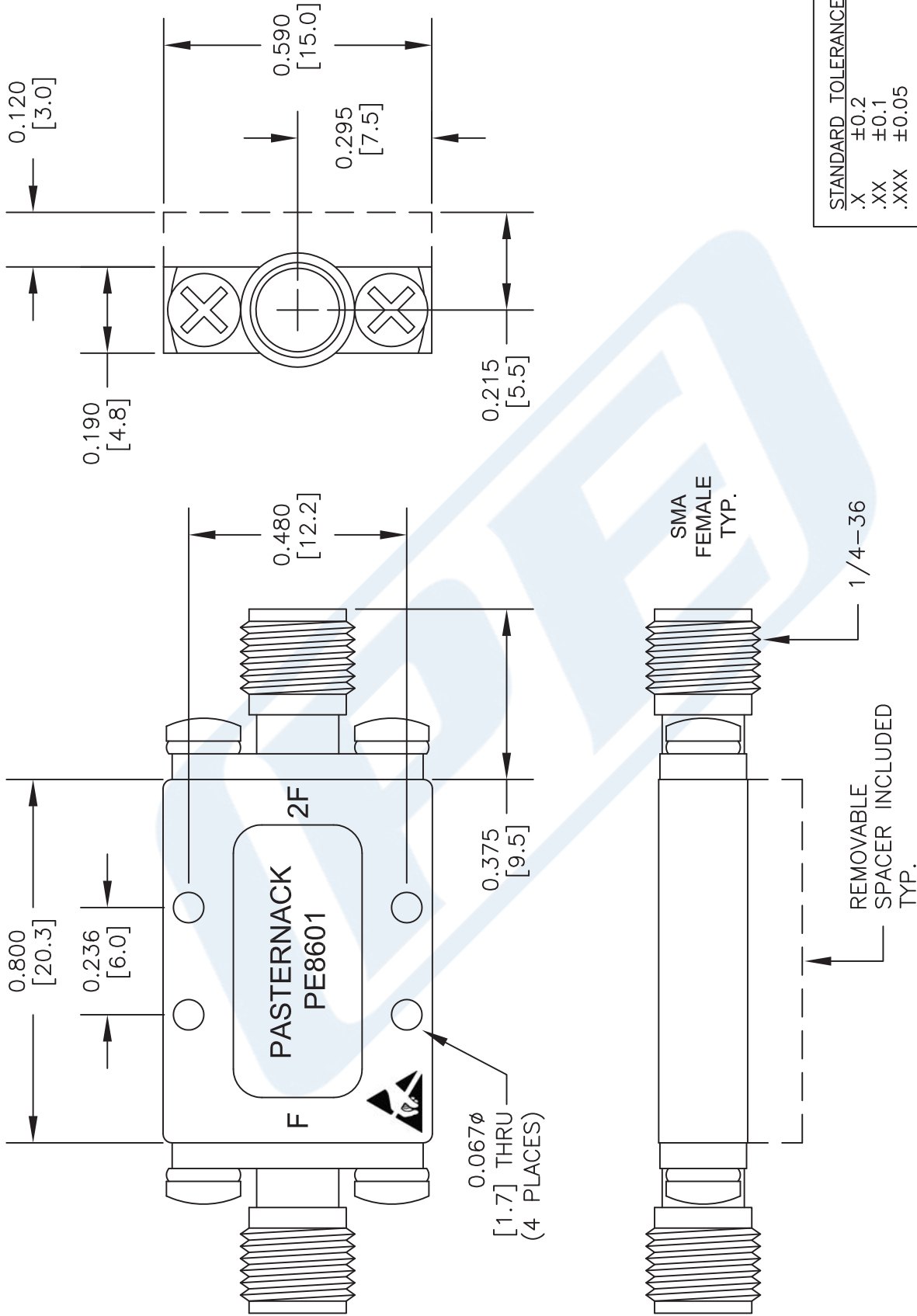
Click the following link (or enter part number in "SEARCH" on website) to obtain additional part information including price, inventory and certifications: [2x Frequency Multiplier Module, 4 GHz to 12 GHz Output Frequency, SMA, 11 dB Conversion Loss PE8601](#)

URL: <https://www.pasternack.com/2x-frequency-multiplier-module-12-ghz-sma-pe8601-p.aspx>

The information contained in this document is accurate to the best of our knowledge and representative of the part described herein. It may be necessary to make modifications to the part and/or the documentation of the part, in order to implement improvements. Pasternack reserves the right to make such changes as required. Unless otherwise stated, all specifications are nominal. Pasternack does not make any representation or warranty regarding the suitability of the part described herein for any particular purpose, and Pasternack does not assume any liability arising out of the use of any part or documentation.

PE8601 CAD Drawing

2x Frequency Multiplier Module, 4 GHz to 12 GHz Output
Frequency, SMA, 11 dB Conversion Loss



STANDARD TOLERANCES
.X ±0.2
.XX ±0.1
.XXX ±0.05

*STANDARD TOLERANCES APPLY ONLY TO DIMENSIONS IN INCHES

NOTES:
1. UNLESS OTHERWISE SPECIFIED ALL DIMENSIONS ARE NOMINAL.
2. ALL SPECIFICATIONS ARE SUBJECT TO CHANGE WITHOUT NOTICE AT ANY TIME.
3. DIMENSIONS ARE IN INCHES [mm].

DWG TITLE
PE8601

FSCM NO. 53919

CAD FILE 071216

SCALE N/A

SIZE A

2233

PE PASTERNAK
THE ENGINEER'S RF SOURCE

Pasternack Enterprises, Inc.
P.O. Box 16759 | Irvine | CA | 92623

Phone: (949) 261-1920 | Fax: (949) 261-7451
Website: www.pasternack.com | E-Mail: sales@pasternack.com