



TNC Female to SMP Male Limited Detent Bulkhead Mount Adapter

RF Adapters Technical Data Sheet

PE91073

Configuration

- TNC Female Connector 1
- Limited Detent SMP Male Connector 2
- 50 Ohm
- Straight Body Geometry
- Bulkhead Mount Method

Features

- Max VSWR of 1.3:1 up to 8 GHz
- Gold Plated Contact

Applications

- Allows Connection Between Series
- General Purpose Test
- Rack Mounted Equipment

Description

Pasternack's PE91073 TNC female to SMP male limited detent bulkhead adapter is part of our full line of RF components available for same-day shipping. Our TNC to SMP adapter has a female to male gender configuration. PE91073 TNC female to SMP male adapter operates to 8 GHz. The Pasternack RF adapter provides good VSWR of 1.3:1 maximum. This RF TNC to SMP bulkhead adapter allows designers to create external connections on their product enclosures, and can be used in a variety of other rack mount and panel mount applications.

RF adapters are often used to enable connections between two connector types that would otherwise not mate. Certain adapter configurations can also be used to protect connectors on expensive equipment where the number of connect/disconnect cycles is high. An RF, microwave or millimeter wave adapter is connected to the equipment, and the commonly changed connection is made with the adapter which can be easily replaced when it wears out after high usage; such adapters are referred to as connector savers. Pasternack also offers bulkhead, panel mount, hermetically sealed, reverse polarity, and isolated ground adapter varieties to serve all of your RF, microwave and millimeter wave needs.

Electrical Specifications

Description	Minimum	Typical	Maximum	Units
Frequency Range	DC		8	GHz
VSWR			1.3:1	
Operating Voltage (AC)			335	Vrms
Dielectric Withstanding Voltage (AC)			500	Vrms
Inner Conductor DC Resistance			6	mOhms
Outer Conductor DC Resistance			2	mOhms
Insulation Resistance	5,000			MOhms

Electrical Specification Notes:
 Values at 25°C, sea level.

Mechanical Specifications

Size
 Length 1 in [25.4 mm]

Click the following link (or enter part number in "SEARCH" on website) to obtain additional part information including price, inventory and certifications: [TNC Female to SMP Male Limited Detent Bulkhead Mount Adapter PE91073](#)



TNC Female to SMP Male Limited Detent
Bulkhead Mount Adapter

RF Adapters Technical Data Sheet

PE91073

Width 0.5 in [12.7 mm]
Weight 0.02 lbs [9.07 g]

Description	Connector 1	Connector 2
Type	TNC Female	SMP Male
Polarity	Standard	Standard
Mating Cycles		500

Material Specifications

Description	Connector 1		Connector 2	
	Material	Plating	Material	Plating
Type	TNC Female		Limited Detent SMP Male	
Contact	Beryllium Copper	Gold	Beryllium Copper	Gold
Insulation	PTFE		PTFE	
Outer Conductor	Brass	Nickel		
Body			Brass	Nickel

Environmental Specifications

Temperature

Operating Range -65 to +165 deg C

Compliance Certifications (see [product page](#) for current document)

Plotted and Other Data

Notes:

Click the following link (or enter part number in "SEARCH" on website) to obtain additional part information including price, inventory and certifications: [TNC Female to SMP Male Limited Detent Bulkhead Mount Adapter PE91073](#)

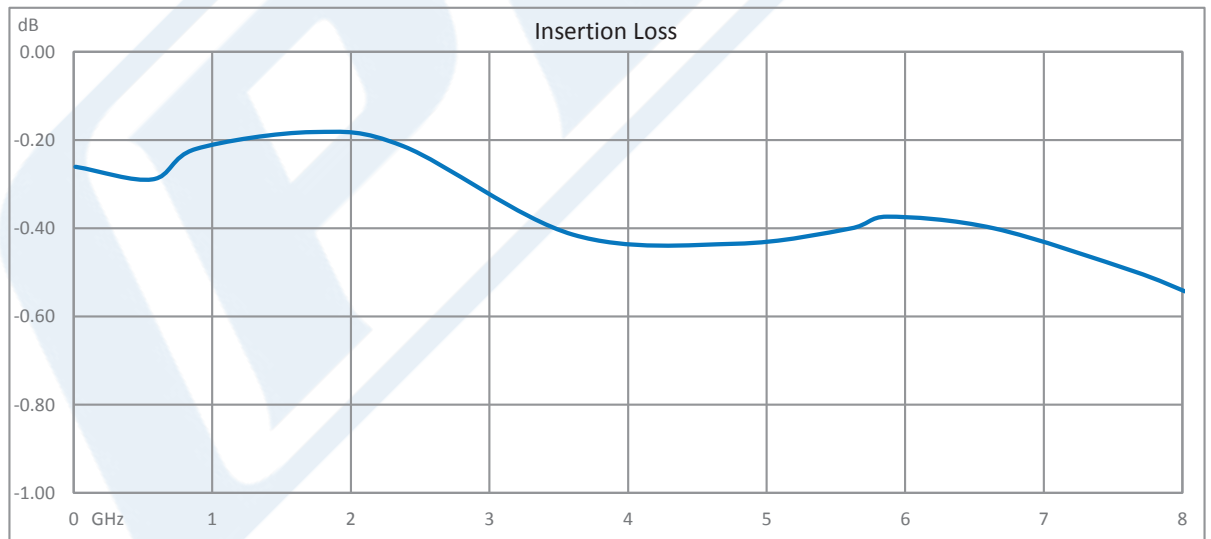
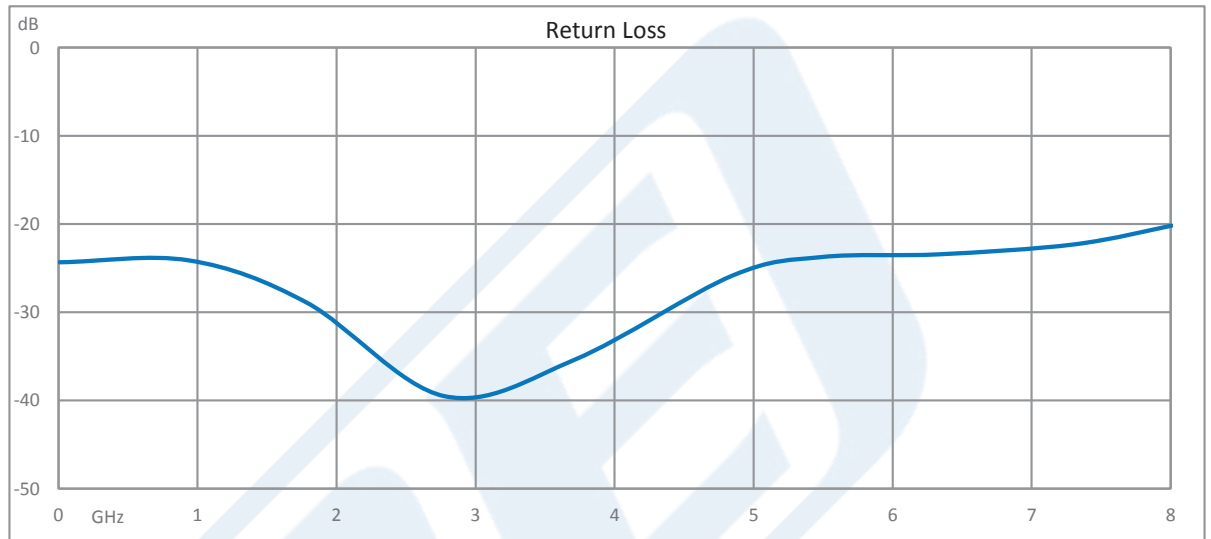


TNC Female to SMP Male Limited Detent
Bulkhead Mount Adapter

RF Adapters Technical Data Sheet

PE91073

Typical Performance Data



Click the following link (or enter part number in "SEARCH" on website) to obtain additional part information including price, inventory and certifications: [TNC Female to SMP Male Limited Detent Bulkhead Mount Adapter PE91073](#)



TNC Female to SMP Male Limited Detent Bulkhead Mount Adapter

RF Adapters Technical Data Sheet

PE91073

TNC Female to SMP Male Limited Detent Bulkhead Mount Adapter from Pasternack Enterprises has same day shipment for domestic and International orders. Our RF, microwave and millimeter wave products maintain a 99% availability and are part of the broadest selection in the industry.

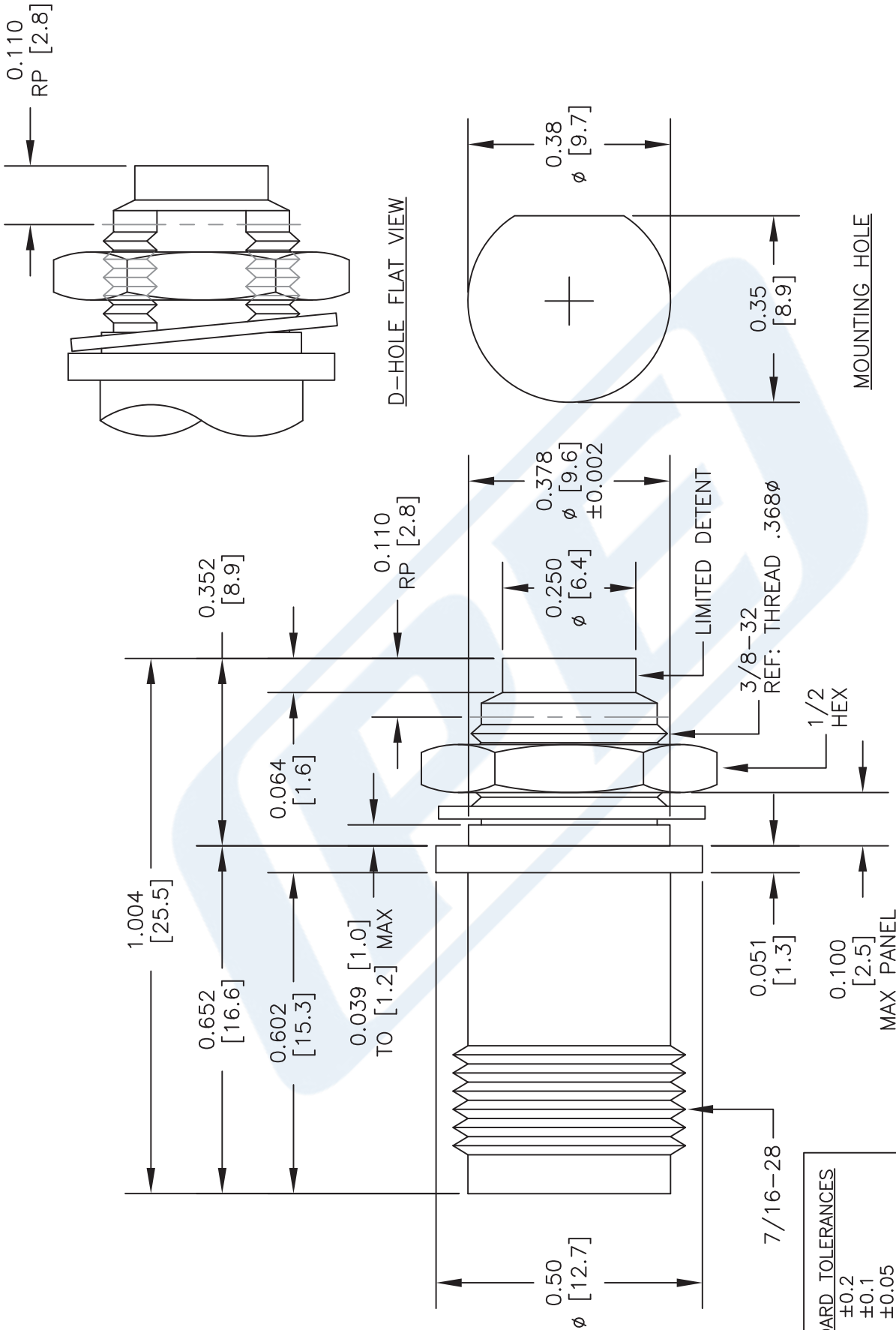
Click the following link (or enter part number in "SEARCH" on website) to obtain additional part information including price, inventory and certifications: [TNC Female to SMP Male Limited Detent Bulkhead Mount Adapter PE91073](https://www.pasternack.com/tnc-female-smp-male-limited-detent-bulkhead-mount-adapter-pe91073)

URL: <https://www.pasternack.com/tnc-female-smp-male-straight-adapter-pe91073-p.aspx>

The information contained in this document is accurate to the best of our knowledge and representative of the part described herein. It may be necessary to make modifications to the part and/or the documentation of the part, in order to implement improvements. Pasternack reserves the right to make such changes as required. Unless otherwise stated, all specifications are nominal. Pasternack does not make any representation or warranty regarding the suitability of the part described herein for any particular purpose, and Pasternack does not assume any liability arising out of the use of any part or documentation.

PE91073 CAD Drawing

TNC Female to SMP Male Limited Detent Bulkhead Mount Adapter



STANDARD TOLERANCES
 .X ± 0.2
 .XX ± 0.1
 .XXX ± 0.05

*STANDARD TOLERANCES APPLY ONLY TO DIMENSIONS IN INCHES

NOTES:
 1. UNLESS OTHERWISE SPECIFIED ALL DIMENSIONS ARE NOMINAL.
 2. ALL SPECIFICATIONS ARE SUBJECT TO CHANGE WITHOUT NOTICE AT ANY TIME.
 3. DIMENSIONS ARE IN INCHES [mm].

DWG TITLE
PE91073

PE PASTERNAK
 THE ENGINEER'S RF SOURCE
 Pasternack Enterprises, Inc.
 P.O. Box 16759 | Irvine | CA | 92623
 Phone: (949) 261-1920 | Fax: (949) 261-7451
 Website: www.pasternack.com | E-Mail: sales@pasternack.com

FSCM NO. 53919

CAD FILE XXXXXX

SCALE N/A

SIZE A 150