



1.85mm Male to 1.85mm Male Adapter

RF Adapters Technical Data Sheet

PE91085

Configuration

- 1.85mm Male Connector 1
- 1.85mm Male Connector 2
- 50 Ohms
- Straight Body Geometry

Features

- Max VSWR of 1.35:1 up to 67 GHz
- Gold Plated Beryllium Copper Contact

Applications

- General Purpose Test

Description

Pasternack's PE91085 1.85mm male to 1.85mm male adapter is part of our full line of RF components available for same-day shipping. The 1.85mm connector mates mechanically with commercially available 2.4mm connectors. The 1.85mm connector mates mechanically with commercially available 2.4mm connectors. Our 1.85mm to 1.85mm adapter has a male to male gender configuration built of durable stainless steel. PE91085 1.85mm male to 1.85mm male adapter is gold plated and operates to 67 GHz. The Pasternack RF adapter provides good VSWR of 1.35:1 maximum.

RF adapters are often used to enable connections between two connector types that would otherwise not mate. Certain adapter configurations can also be used to protect connectors on expensive equipment where the number of connect/disconnect cycles is high. An RF, microwave or millimeter wave adapter is connected to the equipment, and the commonly changed connection is made with the adapter which can be easily replaced when it wears out after high usage; such adapters are referred to as connector savers. Pasternack also offers bulkhead, panel mount, hermetically sealed, reverse polarity, and isolated ground adapter varieties to serve all of your RF, microwave and millimeter wave needs.

Electrical Specifications

Description	Minimum	Typical	Maximum	Units
Frequency Range	DC		67	GHz
VSWR			1.35:1	
RF Leakage			-90	dB
Input Power (CW)			20	Watts

Electrical Specification Notes:
Values at 25°C, sea level.

Mechanical Specifications

Size

Length	0.93 in [23.62 mm]
Width	0.312 in [7.92 mm]
Weight	0.016 lbs [7.26 g]

Click the following link (or enter part number in "SEARCH" on website) to obtain additional part information including price, inventory and certifications: [1.85mm Male to 1.85mm Male Adapter PE91085](#)



1.85mm Male to 1.85mm Male Adapter

RF Adapters Technical Data Sheet

PE91085

Description	Connector 1	Connector 2
Type	1.85mm Male	1.85mm Male
Polarity	Standard	Standard
Hex Size	5/16 in.	5/16 in.
Mating Torque	8 to 10 in-lbs [0.90 to 1.13 Nm]	8 to 10 in-lbs [0.90 to 1.13 Nm]

Material Specifications

Description	Connector 1		Connector 2	
	Material	Plating	Material	Plating
Type	1.85mm Male		1.85mm Male	
Contact	Beryllium Copper	Gold	Beryllium Copper	Gold
Insulation	PTFE		PTFE	
Body	Stainless Steel	Gold	Stainless Steel	Gold
Coupling Nut	Stainless Steel	Gold	Stainless Steel	Gold

Environmental Specifications

Temperature

Operating Range -55 to +125 deg C

Compliance Certifications (see [product page](#) for current document)

Plotted and Other Data

Notes:

Click the following link (or enter part number in "SEARCH" on website) to obtain additional part information including price, inventory and certifications: [1.85mm Male to 1.85mm Male Adapter PE91085](#)



1.85mm Male to 1.85mm Male Adapter

RF Adapters Technical Data Sheet

PE91085

1.85mm Male to 1.85mm Male Adapter from Pasternack Enterprises has same day shipment for domestic and International orders. Our RF, microwave and millimeter wave products maintain a 99% availability and are part of the broadest selection in the industry.

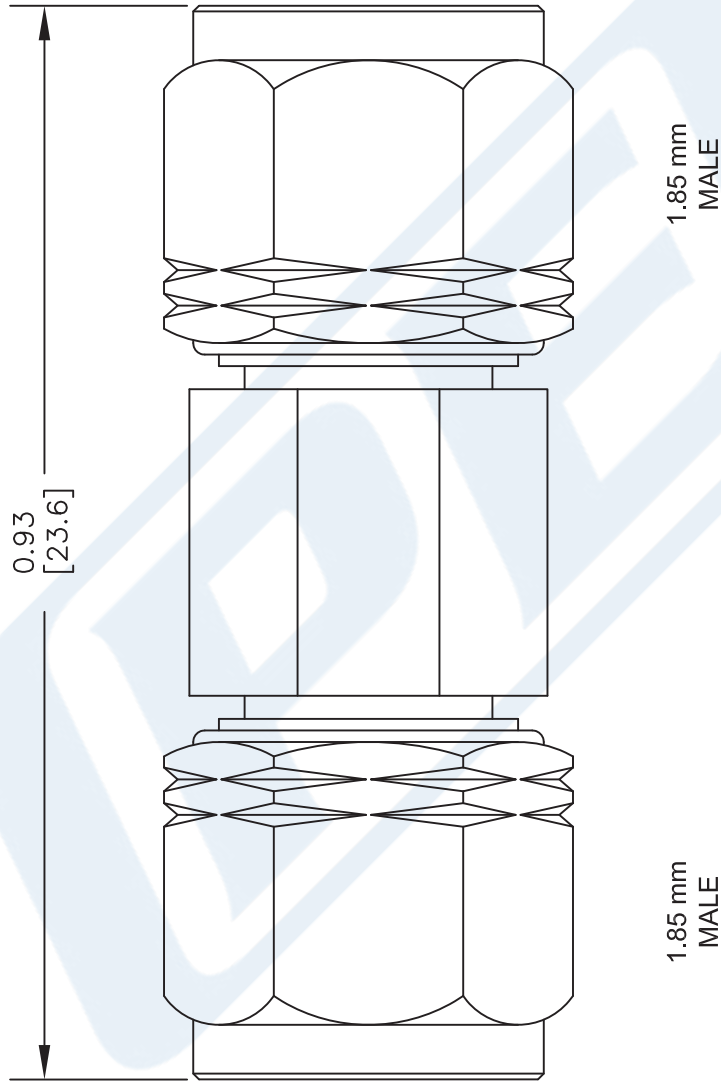
Click the following link (or enter part number in "SEARCH" on website) to obtain additional part information including price, inventory and certifications: [1.85mm Male to 1.85mm Male Adapter PE91085](#)

URL: <https://www.pasternack.com/1.85mm-male-1.85mm-male-straight-adapter-pe91085-p.aspx>

The information contained in this document is accurate to the best of our knowledge and representative of the part described herein. It may be necessary to make modifications to the part and/or the documentation of the part, in order to implement improvements. Pasternack reserves the right to make such changes as required. Unless otherwise stated, all specifications are nominal. Pasternack does not make any representation or warranty regarding the suitability of the part described herein for any particular purpose, and Pasternack does not assume any liability arising out of the use of any part or documentation.

PE91085 CAD Drawing

1.85mm Male to 1.85mm Male Adapter



NOTES:
 1. UNLESS OTHERWISE SPECIFIED ALL DIMENSIONS ARE NOMINAL.
 2. ALL SPECIFICATIONS ARE SUBJECT TO CHANGE WITHOUT NOTICE AT ANY TIME.
 3. DIMENSIONS ARE IN INCHES [mm].

DWG TITLE
PE91085

FSCM NO. 53919

CAD FILE 042516

SCALE N/A

SIZE A

2233

(PE) PASTERNAK®
 THE ENGINEER'S RF SOURCE
 Pasternack Enterprises, Inc.
 P.O. Box 16759 | Irvine | CA | 92623
Phone: (949) 261-1920 | **Fax:** (949) 261-7451
Website: www.pasternack.com | **E-Mail:** sales@pasternack.com