



Reverse Polarity TNC Female to BNC Male Adapter

RF Adapters Technical Data Sheet

PE91087

Configuration

- TNC Female Reverse Polarity Connector 1
- BNC Male Connector 2
- 50 Ohms
- Straight Body Geometry

Features

- TNC Interface compliant with MIL-STD-348
- BNC Interface compliant with MIL-STD-348
- Gold over Nickel Plated Brass Contact
- Contact Plating per MIL-G-45204

Applications

- Allows Connection Between Series
- General Purpose Test

Description

Pasternack's PE91087 reverse polarity TNC female to BNC male adapter is part of our full line of RF components available for same-day shipping. Our reverse polarity TNC to BNC adapter has a female to male gender configuration. PE91087 reverse polarity TNC female to BNC male adapter operates to 4 GHz.

RF adapters are often used to enable connections between two connector types that would otherwise not mate. Certain adapter configurations can also be used to protect connectors on expensive equipment where the number of connect/disconnect cycles is high. An RF, microwave or millimeter wave adapter is connected to the equipment, and the commonly changed connection is made with the adapter which can be easily replaced when it wears out after high usage; such adapters are referred to as connector savers. Pasternack also offers bulkhead, panel mount, hermetically sealed, reverse polarity, and isolated ground adapter varieties to serve all of your RF, microwave and millimeter wave needs.

Electrical Specifications

Description	Minimum	Typical	Maximum	Units
Frequency Range	DC		4	GHz
Operating Voltage (AC)			500	Vrms
Dielectric Withstanding Voltage (AC)			1,500	Vrms
Insulation Resistance	5,000			MOhms

Electrical Specification Notes:
Values at 25°C, sea level.

Mechanical Specifications

Size

Length	1.22 in [30.99 mm]
Width	0.56 in [14.22 mm]
Weight	0.036 lbs [16.33 g]

Click the following link (or enter part number in "SEARCH" on website) to obtain additional part information including price, inventory and certifications: [Reverse Polarity TNC Female to BNC Male Adapter PE91087](#)



Reverse Polarity TNC Female to BNC Male Adapter

RF Adapters Technical Data Sheet

PE91087

Description	Connector 1	Connector 2
Type	TNC Female	BNC Male
Polarity	Reverse Polarity	Standard
Interface Specification	MIL-STD-348	MIL-STD-348

Material Specifications

Description	Connector 1		Connector 2	
	Material	Plating	Material	Plating
Type	TNC Female Reverse Polarity		BNC Male	
Contact	Brass	Gold over Nickel MIL-G-45204	Brass	Gold over Nickel MIL-G-45204
Insulation	PTFE		PTFE	
Outer Conductor	Brass	Nickel QQ-N-290		
Body			Brass	Nickel QQ-P-35
Coupling Nut			Brass	Nickel QQ-P-35

Environmental Specifications

Temperature

Operating Range -65 to +165 deg C

Compliance Certifications (see [product page](#) for current document)

Plotted and Other Data

Notes:

Click the following link (or enter part number in "SEARCH" on website) to obtain additional part information including price, inventory and certifications: [Reverse Polarity TNC Female to BNC Male Adapter PE91087](#)



Reverse Polarity TNC Female to BNC Male Adapter

RF Adapters Technical Data Sheet

PE91087

Reverse Polarity TNC Female to BNC Male Adapter from Pasternack Enterprises has same day shipment for domestic and International orders. Our RF, microwave and millimeter wave products maintain a 99% availability and are part of the broadest selection in the industry.

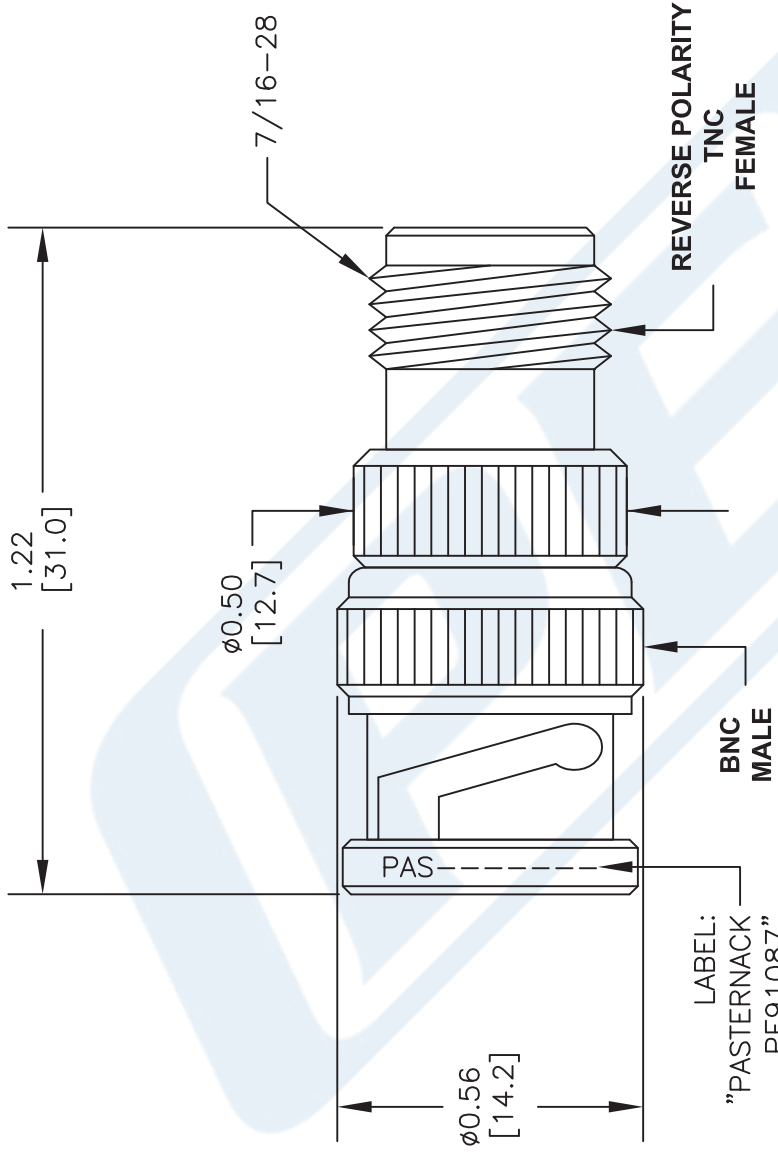
Click the following link (or enter part number in "SEARCH" on website) to obtain additional part information including price, inventory and certifications: [Reverse Polarity TNC Female to BNC Male Adapter PE91087](https://www.pasternack.com/tnc-female-bnc-male-straight-adapter-pe91087-p.aspx)

URL: <https://www.pasternack.com/tnc-female-bnc-male-straight-adapter-pe91087-p.aspx>

The information contained in this document is accurate to the best of our knowledge and representative of the part described herein. It may be necessary to make modifications to the part and/or the documentation of the part, in order to implement improvements. Pasternack reserves the right to make such changes as required. Unless otherwise stated, all specifications are nominal. Pasternack does not make any representation or warranty regarding the suitability of the part described herein for any particular purpose, and Pasternack does not assume any liability arising out of the use of any part or documentation.

PE91087 CAD Drawing

Reverse Polarity TNC Female to BNC Male Adapter



STANDARD TOLERANCES	
DECIMAL	±0.02
.XX	±0.005
.XXX	±0.005

*STANDARD TOLERANCES APPLY ONLY TO DIMENSIONS IN INCHES

NOTES:
 1. UNLESS OTHERWISE SPECIFIED ALL DIMENSIONS ARE NOMINAL.
 2. ALL SPECIFICATIONS ARE SUBJECT TO CHANGE WITHOUT NOTICE AT ANY TIME.
 3. DIMENSIONS ARE IN INCHES [mm].

DWG TITLE	
PE91087	
FSCM NO. 53919	CAD FILE 061116
SCALE N/A	SIZE A
3045	

PE PASTERNAK
 THE ENGINEER'S RF SOURCE
 Pasternack Enterprises, Inc.
 P.O. Box 16759 | Irvine | CA | 92623
 Phone: (949) 261-1920 | Fax: (949) 261-7451
 Website: www.pasternack.com | E-Mail: sales@pasternack.com