



Low PIM 4.1/9.5 Mini DIN Female to N Male Adapter

RF Adapters Technical Data Sheet

PE91094

Configuration

- 4.1/9.5 Mini DIN Female Connector 1
- N Male Connector 2
- 50 Ohms
- Low PIM Design
- Straight Body Geometry

Features

- Max VSWR of 1.25:1 up to 6 GHz
- PIM levels lower than -160 dBc
- Silver Plated Beryllium Copper Contact
- 5 µm min Silver Contact Plating

Applications

- Allows Connection Between Series
- General Purpose Test

Description

Pasternack's PE91094 Low PIM 4.1/9.5 Mini DIN female to type N male adapter is part of our full line of RF components available for same-day shipping. Our 4.1/9.5 Mini DIN to type N adapter has a female to male gender configuration in a Low PIM design. PE91094 4.1/9.5 Mini DIN female to type N male adapter operates to 6 GHz. The Pasternack RF adapter provides excellent VSWR of 1.25:1 maximum and passive intermodulation of -160 dBc maximum.

RF adapters are often used to enable connections between two connector types that would otherwise not mate. Certain adapter configurations can also be used to protect connectors on expensive equipment where the number of connect/disconnect cycles is high. An RF, microwave or millimeter wave adapter is connected to the equipment, and the commonly changed connection is made with the adapter which can be easily replaced when it wears out after high usage; such adapters are referred to as connector savers. Pasternack also offers bulkhead, panel mount, hermetically sealed, reverse polarity, and isolated ground adapter varieties to serve all of your RF, microwave and millimeter wave needs.

Electrical Specifications

| Description | Minimum | Typical | Maximum | Units |
|--|---------|---------|---------|-------|
| Frequency Range | DC | | 6 | GHz |
| VSWR | | | 1.25:1 | |
| Passive Intermodulation using 2x20W tones | | | -160 | dBc |
| Operating Voltage (AC) | | | 1,000 | Vrms |
| Dielectric Withstanding Voltage (AC) | | | 2,500 | Vrms |

Performance by Frequency

| Description | F1 | F2 | F3 | F4 | F5 | Units |
|-----------------|---------|--------|--------|----|----|-------|
| Frequency Range | DC to 3 | 3 to 4 | 4 to 6 | | | GHz |
| VSWR, Max | 1.1:1 | 1.15:1 | 1.25:1 | | | |

Click the following link (or enter part number in "SEARCH" on website) to obtain additional part information including price, inventory and certifications: [Low PIM 4.1/9.5 Mini DIN Female to N Male Adapter PE91094](#)



Low PIM 4.1/9.5 Mini DIN Female to N Male Adapter

RF Adapters Technical Data Sheet

PE91094

Electrical Specification Notes:
 Values at 25°C, sea level.

Mechanical Specifications

Size

| | |
|--------|---------------------|
| Length | 1.85 in [46.99 mm] |
| Width | 0.79 in [20.07 mm] |
| Weight | 0.159 lbs [72.12 g] |

| Description | Connector 1 | Connector 2 |
|---------------|-------------------------|-------------|
| Type | 4.1/9.5 Mini DIN Female | N Male |
| Polarity | Standard | Standard |
| Mating Cycles | 500 | 500 |
| Hex Size | | 20 mm |

Material Specifications

| Description | Connector 1 | | Connector 2 | |
|-----------------|-------------------------|---------------------------|------------------|---------------------------|
| | Material | Plating | Material | Plating |
| Type | 4.1/9.5 Mini DIN Female | | N Male | |
| Contact | Beryllium Copper | Silver 5 µm minimum | Beryllium Copper | Silver 5 µm minimum |
| Insulation | PTFE | | PTFE | |
| Outer Conductor | Brass | Tri-Metal 3 µm minimum | | |
| Body | | | Brass | Tri-Metal 3 µm minimum |
| Coupling Nut | | | Brass | Tri-Metal 3 µm minimum |

Environmental Specifications

Temperature

| | |
|-----------------|-------------------|
| Operating Range | -55 to +120 deg C |
|-----------------|-------------------|

Compliance Certifications (see [product page](#) for current document)

Plotted and Other Data

Notes:

Click the following link (or enter part number in "SEARCH" on website) to obtain additional part information including price, inventory and certifications: [Low PIM 4.1/9.5 Mini DIN Female to N Male Adapter PE91094](#)



Low PIM 4.1/9.5 Mini DIN Female to N Male Adapter

RF Adapters Technical Data Sheet

PE91094

Low PIM 4.1/9.5 Mini DIN Female to N Male Adapter from Pasternack Enterprises has same day shipment for domestic and International orders. Our RF, microwave and millimeter wave products maintain a 99% availability and are part of the broadest selection in the industry.

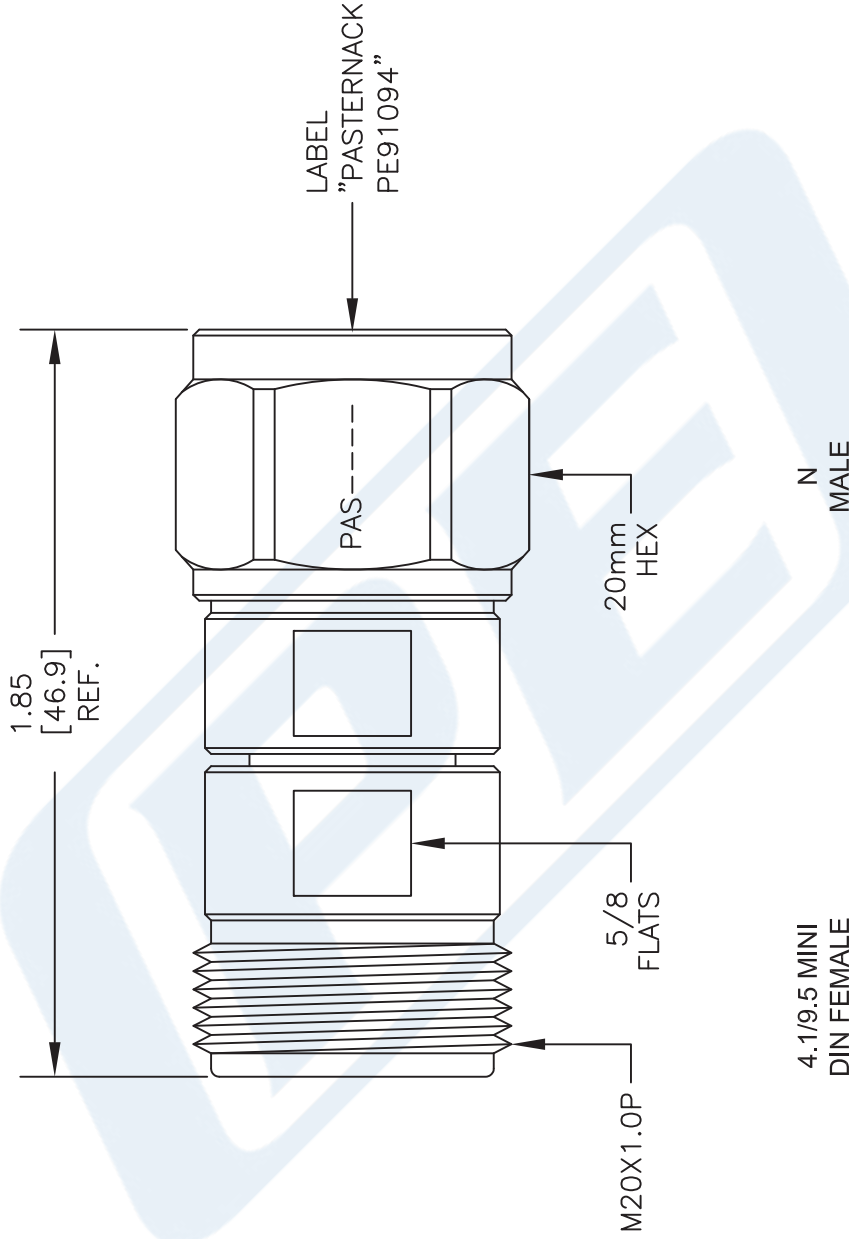
Click the following link (or enter part number in "SEARCH" on website) to obtain additional part information including price, inventory and certifications: [Low PIM 4.1/9.5 Mini DIN Female to N Male Adapter PE91094](https://www.pasternack.com/4.1-9.5-mini-din-female-n-male-straight-adapter-pe91094-p.aspx)

URL: <https://www.pasternack.com/4.1-9.5-mini-din-female-n-male-straight-adapter-pe91094-p.aspx>

The information contained in this document is accurate to the best of our knowledge and representative of the part described herein. It may be necessary to make modifications to the part and/or the documentation of the part, in order to implement improvements. Pasternack reserves the right to make such changes as required. Unless otherwise stated, all specifications are nominal. Pasternack does not make any representation or warranty regarding the suitability of the part described herein for any particular purpose, and Pasternack does not assume any liability arising out of the use of any part or documentation.

PE91094 CAD Drawing

Low PIM 4.1/9.5 Mini DIN Female to N Male Adapter



| STANDARD TOLERANCES | |
|---------------------|-------|
| .X | ±0.2 |
| .XX | ±0.1 |
| .XXX | ±0.05 |

*STANDARD TOLERANCES APPLY ONLY TO DIMENSIONS IN INCHES

| | | | |
|---|--|-----------------------------------|------------------|
| <p>NOTES:</p> <ol style="list-style-type: none"> 1. UNLESS OTHERWISE SPECIFIED ALL DIMENSIONS ARE NOMINAL. 2. ALL SPECIFICATIONS ARE SUBJECT TO CHANGE WITHOUT NOTICE AT ANY TIME. 3. DIMENSIONS ARE IN INCHES [mm]. | | <p>DWG TITLE</p> <h2>PE91094</h2> | |
| <p>FSCM NO. 53919</p> | | <p>CAD FILE 082816</p> | <p>SCALE N/A</p> |
| <p>4.1/9.5 MINI DIN FEMALE</p> | | <p>SIZE A</p> | <p>41742</p> |

PE PASTERNAK
 THE ENGINEER'S RF SOURCE
 Pasternack Enterprises, Inc.
 P.O. Box 16759 | Irvine | CA | 92623
Phone: (949) 261-1920 | **Fax:** (949) 261-7451
Website: www.pasternack.com | **E-Mail:** sales@pasternack.com