



## 1.0mm Female to 1.85mm Female Adapter

### RF Adapters Technical Data Sheet

PE91109

#### Configuration

- 1.0mm Female Connector 1
- 1.85mm Female Connector 2
- 50 Ohms
- Straight Body Geometry

#### Features

- Max VSWR of 1.35:1 up to 65 GHz
- Gold over Nickel Plated Beryllium Copper Contact
- 50 µin min Gold over Nickel Contact Plating

#### Applications

- Allows Connection Between Series
- General Purpose Test

#### Description

Pasternack's PE91109 1.0mm female to 1.85mm female adapter is part of our full line of RF components available for same-day shipping. Our 1.0mm to 1.85mm adapter has a female to female gender configuration. PE91109 1.0mm female to 1.85mm female adapter operates to 65 GHz. The Pasternack RF adapter provides good VSWR of 1.35:1 maximum.

RF adapters are often used to enable connections between two connector types that would otherwise not mate. Certain adapter configurations can also be used to protect connectors on expensive equipment where the number of connect/disconnect cycles is high. An RF, microwave or millimeter wave adapter is connected to the equipment, and the commonly changed connection is made with the adapter which can be easily replaced when it wears out after high usage; such adapters are referred to as connector savers. Pasternack also offers bulkhead, panel mount, hermetically sealed, reverse polarity, and isolated ground adapter varieties to serve all of your RF, microwave and millimeter wave needs.

#### Electrical Specifications

Description	Minimum	Typical	Maximum	Units
Frequency Range	DC		65	GHz
VSWR			1.35:1	

Electrical Specification Notes:  
Values at 25°C, sea level.

#### Mechanical Specifications

Size	
Length	0.735 in [18.67 mm]
Width	0.31 in [7.87 mm]
Weight	0.008 lbs [3.63 g]

Click the following link (or enter part number in "SEARCH" on website) to obtain additional part information including price, inventory and certifications: [1.0mm Female to 1.85mm Female Adapter PE91109](#)



## 1.0mm Female to 1.85mm Female Adapter

### RF Adapters Technical Data Sheet

PE91109

Description	Connector 1	Connector 2
Type	1.0mm Female	1.85mm Female
Polarity	Standard	Standard
Mating Cycles	500	500

#### Material Specifications

Description	Connector 1		Connector 2	
	Material	Plating	Material	Plating
Type	1.0mm Female		1.85mm Female	
Contact	Beryllium Copper	Gold over Nickel 50 µin minimum	Beryllium Copper	Gold over Nickel 50 µin minimum
Insulation	PEI		PEI	
Outer Conductor	Passivated Stainless Steel	SAE-AMS-2700	Passivated Stainless Steel	SAE-AMS-2700

#### Environmental Specifications

##### Temperature

Operating Range -65 to +100 deg C

**Compliance Certifications** (see [product page](#) for current document)

#### Plotted and Other Data

Notes:

Click the following link (or enter part number in "SEARCH" on website) to obtain additional part information including price, inventory and certifications: [1.0mm Female to 1.85mm Female Adapter PE91109](#)



## 1.0mm Female to 1.85mm Female Adapter

### RF Adapters Technical Data Sheet

PE91109

1.0mm Female to 1.85mm Female Adapter from Pasternack Enterprises has same day shipment for domestic and International orders. Our RF, microwave and millimeter wave products maintain a 99% availability and are part of the broadest selection in the industry.

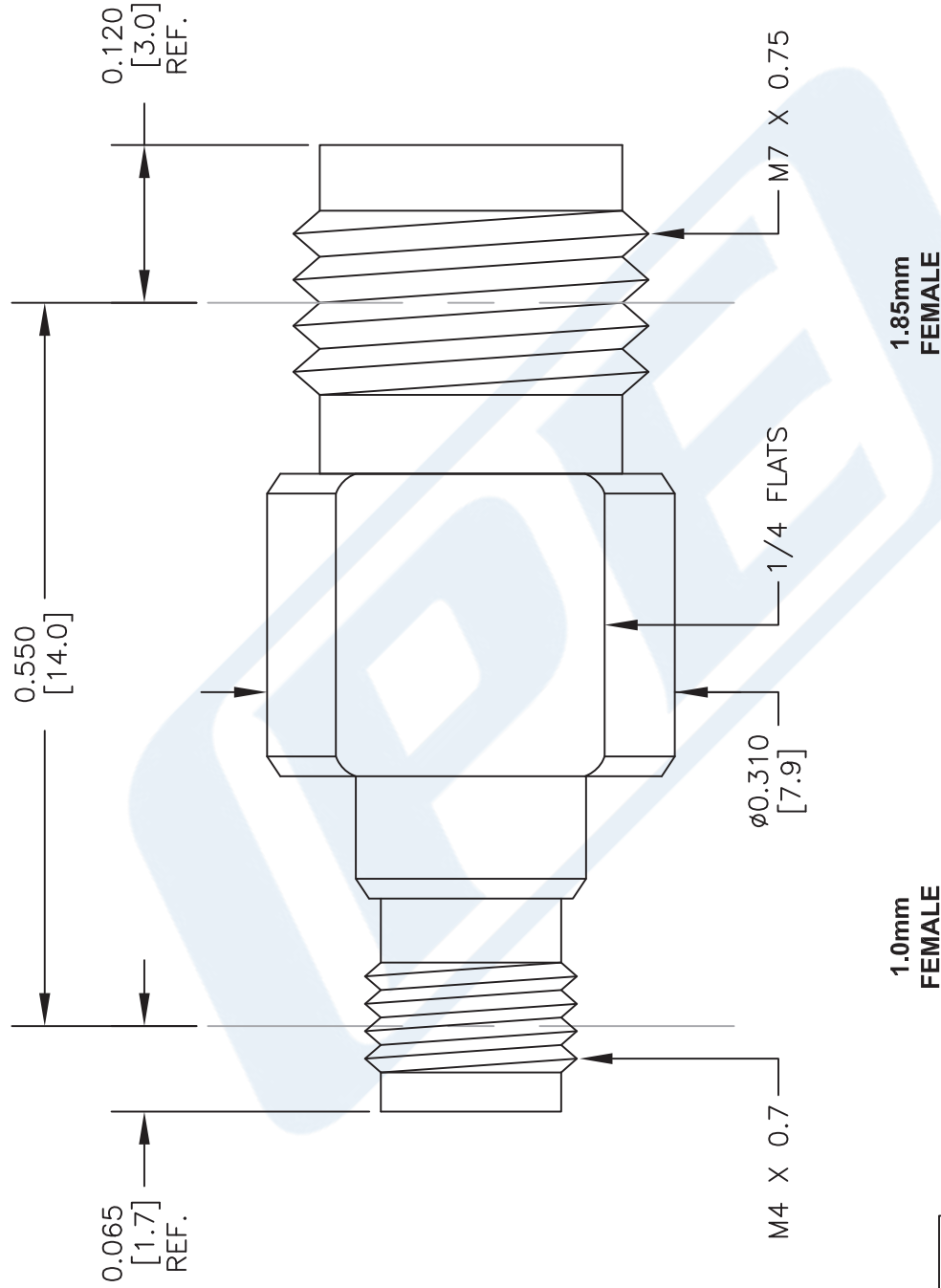
Click the following link (or enter part number in "SEARCH" on website) to obtain additional part information including price, inventory and certifications: [1.0mm Female to 1.85mm Female Adapter PE91109](https://www.pasternack.com/1.0mm-female-1.85mm-female-straight-adapter-pe91109-p.aspx)

URL: <https://www.pasternack.com/1.0mm-female-1.85mm-female-straight-adapter-pe91109-p.aspx>

The information contained in this document is accurate to the best of our knowledge and representative of the part described herein. It may be necessary to make modifications to the part and/or the documentation of the part, in order to implement improvements. Pasternack reserves the right to make such changes as required. Unless otherwise stated, all specifications are nominal. Pasternack does not make any representation or warranty regarding the suitability of the part described herein for any particular purpose, and Pasternack does not assume any liability arising out of the use of any part or documentation.

# PE91109 CAD Drawing

## 1.0mm Female to 1.85mm Female Adapter



### STANDARD TOLERANCES

.X ±0.2  
 .XX ±0.1  
 .XXX ±0.05

\*STANDARD TOLERANCES APPLY ONLY TO DIMENSIONS IN INCHES



THE ENGINEER'S RF SOURCE  
 Pasternack Enterprises, Inc.  
 P.O. Box 16759 | Irvine | CA | 92623

Phone: (949) 261-1920 | Fax: (949) 261-7451

Website: [www.pasternack.com](http://www.pasternack.com) | E-Mail: [sales@pasternack.com](mailto:sales@pasternack.com)

DWG TITLE

**PE91109**

FSCM NO. 53919

NOTES:  
 1. UNLESS OTHERWISE SPECIFIED ALL DIMENSIONS ARE NOMINAL.  
 2. ALL SPECIFICATIONS ARE SUBJECT TO CHANGE WITHOUT NOTICE AT ANY TIME.  
 3. DIMENSIONS ARE IN INCHES [mm].

CAD FILE 083116

SCALE N/A

SIZE A

41742