



1.85mm Female to 1.85mm Female Adapter

RF Adapters Technical Data Sheet

PE91115

Configuration

- 1.85mm Female Connector 1
- 1.85mm Female Connector 2
- 50 Ohm
- Straight Body Geometry

Features

- Max VSWR of 1.25:1 up to 67 GHz
- 1.85mm interface compliant with MIL-STD-348
- Contact plating according to MIL-G-45204
- Gold Plated Contact

Applications

- General Purpose Test

Description

Pasternack's PE91115 1.85mm female to 1.85mm female adapter is part of our full line of RF components available for same-day shipping. The 1.85mm connector mates mechanically with commercially available 2.4mm connectors. Our 1.85mm to 1.85mm adapter has a female to female gender configuration. PE91115 1.85mm female to 1.85mm female adapter operates to 67 GHz. The Pasternack RF adapter provides excellent VSWR of 1.25:1 maximum.

RF adapters are often used to enable connections between two connector types that would otherwise not mate. Certain adapter configurations can also be used to protect connectors on expensive equipment where the number of connect/disconnect cycles is high. An RF, microwave or millimeter wave adapter is connected to the equipment, and the commonly changed connection is made with the adapter which can be easily replaced when it wears out after high usage; such adapters are referred to as connector savers. Pasternack also offers bulkhead, panel mount, hermetically sealed, reverse polarity, and isolated ground adapter varieties to serve all of your RF, microwave and millimeter wave needs.

Electrical Specifications

Description	Minimum	Typical	Maximum	Units
Frequency Range	DC		67	GHz
VSWR			1.25:1	
RF Leakage			-100	dB

Performance by Frequency

Description	F1	F2	F3	F4	F5	Units
Frequency Range	DC to 18	18 to 40	40 to 50	50 to 67		GHz
VSWR, Max	1.1:1	1.15:1	1.18:1	1.25:1		

Electrical Specification Notes:
 Values at 25°C, sea level.
 Mode free up to 67 GHz.

Click the following link (or enter part number in "SEARCH" on website) to obtain additional part information including price, inventory and certifications: [1.85mm Female to 1.85mm Female Adapter PE91115](#)



1.85mm Female to 1.85mm Female Adapter

RF Adapters Technical Data Sheet

PE91115

Mechanical Specifications

Size

Length	0.852 in [21.64 mm]
Width	0.312 in [7.92 mm]
Weight	0.013 lbs [5.9 g]

Description	Connector 1	Connector 2
Type	1.85mm Female	1.85mm Female
Polarity	Standard	Standard
Interface Specification	MIL-STD-348	MIL-STD-348
Mating Cycles	500	500

Material Specifications

Description	Connector 1		Connector 2	
	Material	Plating	Material	Plating
Type	1.85mm Female		1.85mm Female	
Contact	Beryllium Copper	Gold MIL-G-45204	Beryllium Copper	Gold MIL-G-45204
Insulation	PEI/PCTFE		PEI/PCTFE	
Outer Conductor	Passivated Stainless Steel	ASTM A967-99	Passivated Stainless Steel	ASTM A967-99

Environmental Specifications

Temperature

Operating Range	-55 to +165 deg C
-----------------	-------------------

Compliance Certifications (see [product page](#) for current document)

Plotted and Other Data

Notes:

Click the following link (or enter part number in "SEARCH" on website) to obtain additional part information including price, inventory and certifications: [1.85mm Female to 1.85mm Female Adapter PE91115](#)



1.85mm Female to 1.85mm Female Adapter

RF Adapters Technical Data Sheet

PE91115

1.85mm Female to 1.85mm Female Adapter from Pasternack Enterprises has same day shipment for domestic and International orders. Our RF, microwave and millimeter wave products maintain a 99% availability and are part of the broadest selection in the industry.

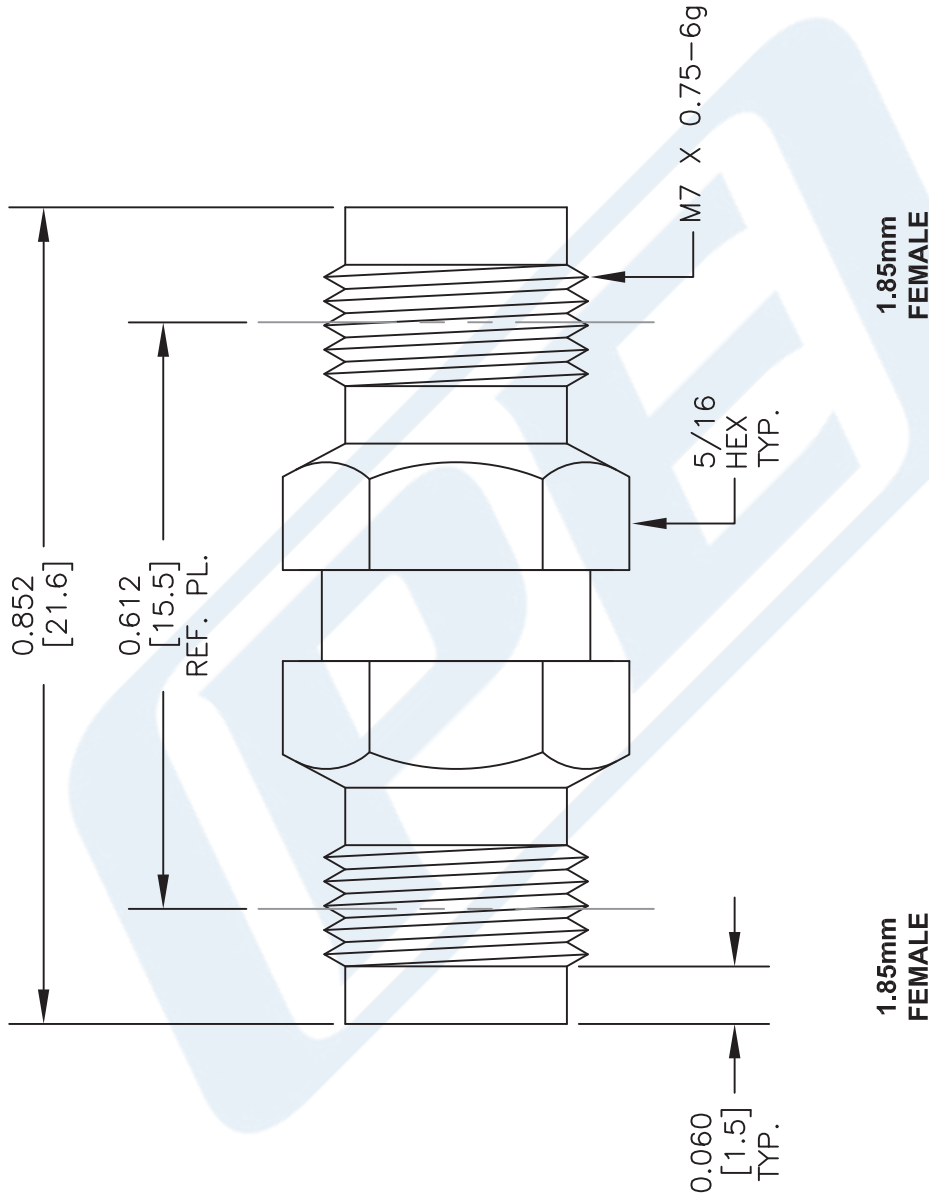
Click the following link (or enter part number in "SEARCH" on website) to obtain additional part information including price, inventory and certifications: [1.85mm Female to 1.85mm Female Adapter PE91115](https://www.pasternack.com/1.85mm-female-1.85mm-female-straight-adapter-pe91115-p.aspx)

URL: <https://www.pasternack.com/1.85mm-female-1.85mm-female-straight-adapter-pe91115-p.aspx>

The information contained in this document is accurate to the best of our knowledge and representative of the part described herein. It may be necessary to make modifications to the part and/or the documentation of the part, in order to implement improvements. Pasternack reserves the right to make such changes as required. Unless otherwise stated, all specifications are nominal. Pasternack does not make any representation or warranty regarding the suitability of the part described herein for any particular purpose, and Pasternack does not assume any liability arising out of the use of any part or documentation.

PE91115 CAD Drawing

1.85mm Female to 1.85mm Female Adapter



NOTES:
 1. UNLESS OTHERWISE SPECIFIED ALL DIMENSIONS ARE NOMINAL.
 2. ALL SPECIFICATIONS ARE SUBJECT TO CHANGE WITHOUT NOTICE AT ANY TIME.
 3. DIMENSIONS ARE IN INCHES [mm].

DWG TITLE
PE91115

FSCM NO. 53919

SCALE N/A

SIZE A

CAD FILE 011314

2233

PE PASTERNAK®
 Pasternack Enterprises, Inc.
 P.O. Box 16759 | Irvine | CA | 92623
Phone: (949) 261-1920 | **Fax:** (949) 261-7451
Website: www.pasternack.com | **E-Mail:** sales@pasternack.com