



2.92mm Female to 3.5mm Male Right Angle Adapter

RF Adapters Technical Data Sheet

PE91166

Configuration

- 2.92mm Female Connector 1
- 3.5mm Male Connector 2
- 50 Ohms
- Right Angle Body Geometry

Features

- Max VSWR of 1.25:1 up to 34.5 GHz
- Gold over Nickel Plated Beryllium Copper Contact
- Contact Plating per MIL-G-45204

Applications

- Allows Connection Between Series
- General Purpose Test

Description

Pasternack's PE91166 2.92mm female to 3.5mm male right angle adapter is part of our full line of RF components available for same-day shipping. The 2.92mm connector mates mechanically with commercially available SMA and 3.5mm connectors. Our 2.92mm to 3.5mm adapter has a female to male gender configuration. PE91166 2.92mm female to 3.5mm male adapter operates to 34.5 GHz. The Pasternack RF adapter provides excellent VSWR of 1.25:1 maximum. This low profile right angle 2.92mm to 3.5mm adapter allows for easier connections in tight spaces.

RF adapters are often used to enable connections between two connector types that would otherwise not mate. Certain adapter configurations can also be used to protect connectors on expensive equipment where the number of connect/disconnect cycles is high. An RF, microwave or millimeter wave adapter is connected to the equipment, and the commonly changed connection is made with the adapter which can be easily replaced when it wears out after high usage; such adapters are referred to as connector savers. Pasternack also offers bulkhead, panel mount, hermetically sealed, reverse polarity, and isolated ground adapter varieties to serve all of your RF, microwave and millimeter wave needs.

Electrical Specifications

| Description | Minimum | Typical | Maximum | Units |
|-----------------|---------|---------|---------|-------|
| Frequency Range | DC | | 34.5 | GHz |
| VSWR | | | 1.25:1 | |
| Insertion Loss | | | 0.3 | dB |

Electrical Specification Notes:
Values at 25°C, sea level.
Insertion Loss = $0.05 \cdot \sqrt{f(\text{GHz})}$ dB.

Mechanical Specifications

| Size | |
|--------|---------------------|
| Length | 0.545 in [13.84 mm] |
| Width | 0.47 in [11.94 mm] |
| Weight | 0.023 lbs [10.43 g] |

Click the following link (or enter part number in "SEARCH" on website) to obtain additional part information including price, inventory and certifications: [2.92mm Female to 3.5mm Male Right Angle Adapter PE91166](#)



2.92mm Female to 3.5mm Male Right Angle Adapter

RF Adapters Technical Data Sheet

PE91166

| Description | Connector 1 | Connector 2 |
|---------------|----------------------------------|-------------|
| Type | 2.92mm Female | 3.5mm Male |
| Polarity | Standard | Standard |
| Hex Size | | 5/16 Inch |
| Mating Torque | 8 to 10 in-lbs [0.90 to 1.13 Nm] | |

Material Specifications

| Description | Connector 1 | | Connector 2 | |
|-----------------|----------------------------|---------------------------------|----------------------------|---------------------------------|
| | Material | Plating | Material | Plating |
| Type | 2.92mm Female | | 3.5mm Male | |
| Contact | Beryllium Copper | Gold over Nickel MIL-G-45204 | Beryllium Copper | Gold over Nickel MIL-G-45204 |
| Insulation | Oxide-Noryl | | Oxide-Noryl | |
| Outer Conductor | Passivated Stainless Steel | ASTM A380 | | |
| Body | | | Passivated Stainless Steel | ASTM A380 |
| Coupling Nut | | | Passivated Stainless Steel | ASTM A380 |

Compliance Certifications (see [product page](#) for current document)

2.92mm Female to 3.5mm Male Right Angle Adapter from Pasternack Enterprises has same day shipment for domestic and International orders. Our RF, microwave and millimeter wave products maintain a 99% availability and are part of the broadest selection in the industry.

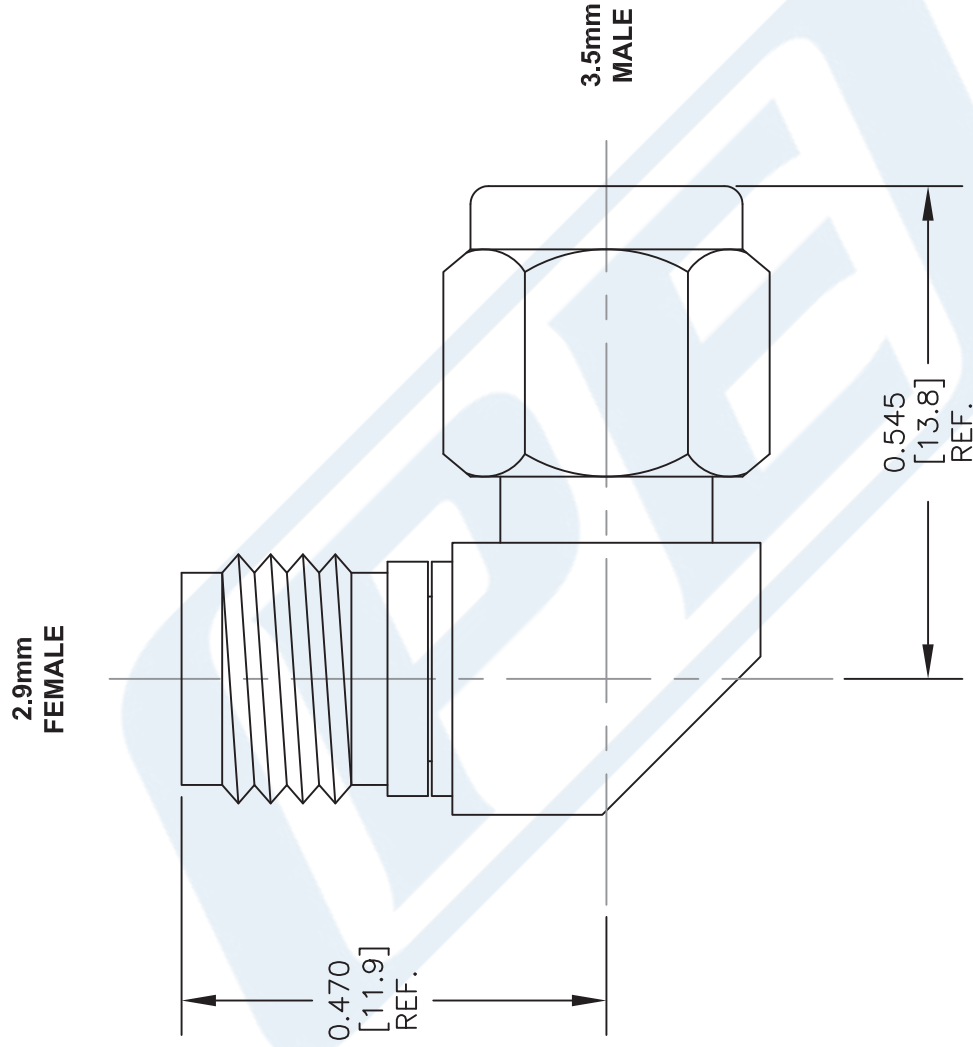
Click the following link (or enter part number in "SEARCH" on website) to obtain additional part information including price, inventory and certifications: [2.92mm Female to 3.5mm Male Right Angle Adapter PE91166](#)

URL: <https://www.pasternack.com/2.92mm-female-3.5mm-male-right-angle-adapter-pe91166-p.aspx>

The information contained in this document is accurate to the best of our knowledge and representative of the part described herein. It may be necessary to make modifications to the part and/or the documentation of the part, in order to implement improvements. Pasternack reserves the right to make such changes as required. Unless otherwise stated, all specifications are nominal. Pasternack does not make any representation or warranty regarding the suitability of the part described herein for any particular purpose, and Pasternack does not assume any liability arising out of the use of any part or documentation.

PE91166 CAD Drawing

2.92mm Female to 3.5mm Male Right Angle Adapter



| STANDARD TOLERANCES | |
|---------------------|-------|
| .X | ±0.2 |
| .XX | ±0.1 |
| .XXX | ±0.05 |

*STANDARD TOLERANCES APPLY ONLY TO DIMENSIONS IN INCHES

NOTES:
 1. UNLESS OTHERWISE SPECIFIED ALL DIMENSIONS ARE NOMINAL.
 2. ALL SPECIFICATIONS ARE SUBJECT TO CHANGE WITHOUT NOTICE AT ANY TIME.
 3. DIMENSIONS ARE IN INCHES [mm].

DWG TITLE
PE91166

FSCM NO. 53919

CAD FILE 090116

SCALE N/A

SIZE A

41742

(PE) PASTERNAK®
 THE ENGINEER'S RF SOURCE
 Pasternack Enterprises, Inc.
 P.O. Box 16759 | Irvine | CA | 92623
Phone: (949) 261-1920 | **Fax:** (949) 261-7451
Website: www.pasternack.com | **E-Mail:** sales@pasternack.com