



## 3.5mm Male to 3.5mm Male Right Angle Adapter

### RF Adapters Technical Data Sheet

PE91169

#### Configuration

- 3.5mm Male Connector 1
- 3.5mm Male Connector 2
- 50 Ohms
- Right Angle Body Geometry

#### Features

- Max VSWR of 1.25:1 up to 34.5 GHz
- Gold over Nickel Plated Beryllium Copper Contact
- Contact Plating per MIL-G-45204

#### Applications

- General Purpose Test

#### Description

Pasternack's PE91169 3.5mm male to 3.5mm male right angle adapter is part of our full line of RF components available for same-day shipping. The 3.5mm connector mates mechanically with commercially available SMA and 2.92mm (K) connectors. Our 3.5mm to 3.5mm adapter has a male to male gender configuration built of durable stainless steel. PE91169 3.5mm male to 3.5mm male adapter operates to 34.5 GHz. The Pasternack RF adapter provides excellent VSWR of 1.25:1 maximum. This low profile right angle 3.5mm adapter allows for easier connections in tight spaces.

RF adapters are often used to enable connections between two connector types that would otherwise not mate. Certain adapter configurations can also be used to protect connectors on expensive equipment where the number of connect/disconnect cycles is high. An RF, microwave or millimeter wave adapter is connected to the equipment, and the commonly changed connection is made with the adapter which can be easily replaced when it wears out after high usage; such adapters are referred to as connector savers. Pasternack also offers bulkhead, panel mount, hermetically sealed, reverse polarity, and isolated ground adapter varieties to serve all of your RF, microwave and millimeter wave needs.

#### Electrical Specifications

Description	Minimum	Typical	Maximum	Units
Frequency Range	DC		34.5	GHz
VSWR			1.25:1	
Insertion Loss			0.3	dB

Electrical Specification Notes:  
 Values at 25°C, sea level.  
 Insertion Loss =  $0.05 \cdot \sqrt{f(\text{GHz})}$  dB.

#### Mechanical Specifications

Size	
Length	0.67 in [17.02 mm]
Width	0.312 in [7.92 mm]
Height	0.7 in [17.78 mm]
Weight	0.06 lbs [27.22 g]

Click the following link (or enter part number in "SEARCH" on website) to obtain additional part information including price, inventory and certifications: [3.5mm Male to 3.5mm Male Right Angle Adapter PE91169](#)



## 3.5mm Male to 3.5mm Male Right Angle Adapter

### RF Adapters Technical Data Sheet

PE91169

Description	Connector 1	Connector 2
Type	3.5mm Male	3.5mm Male
Polarity	Standard	Standard
Hex Size	5/16 Inch	5/16 Inch
Mating Torque	8 to 10 in-lbs [0.90 to 1.13 Nm]	8 to 10 in-lbs [0.90 to 1.13 Nm]

#### Material Specifications

Description	Connector 1		Connector 2	
	Material	Plating	Material	Plating
Type	3.5mm Male		3.5mm Male	
Contact	Beryllium Copper	Gold over Nickel MIL-G-45204	Beryllium Copper	Gold over Nickel MIL-G-45204
Insulation	Oxide-Noryl		Oxide-Noryl	
Body	Passivated Stainless Steel	ASTM A380	Passivated Stainless Steel	ASTM A380
Coupling Nut	Passivated Stainless Steel	ASTM A380	Passivated Stainless Steel	ASTM A380

#### Compliance Certifications (see [product page](#) for current document)

3.5mm Male to 3.5mm Male Right Angle Adapter from Pasternack Enterprises has same day shipment for domestic and International orders. Our RF, microwave and millimeter wave products maintain a 99% availability and are part of the broadest selection in the industry.

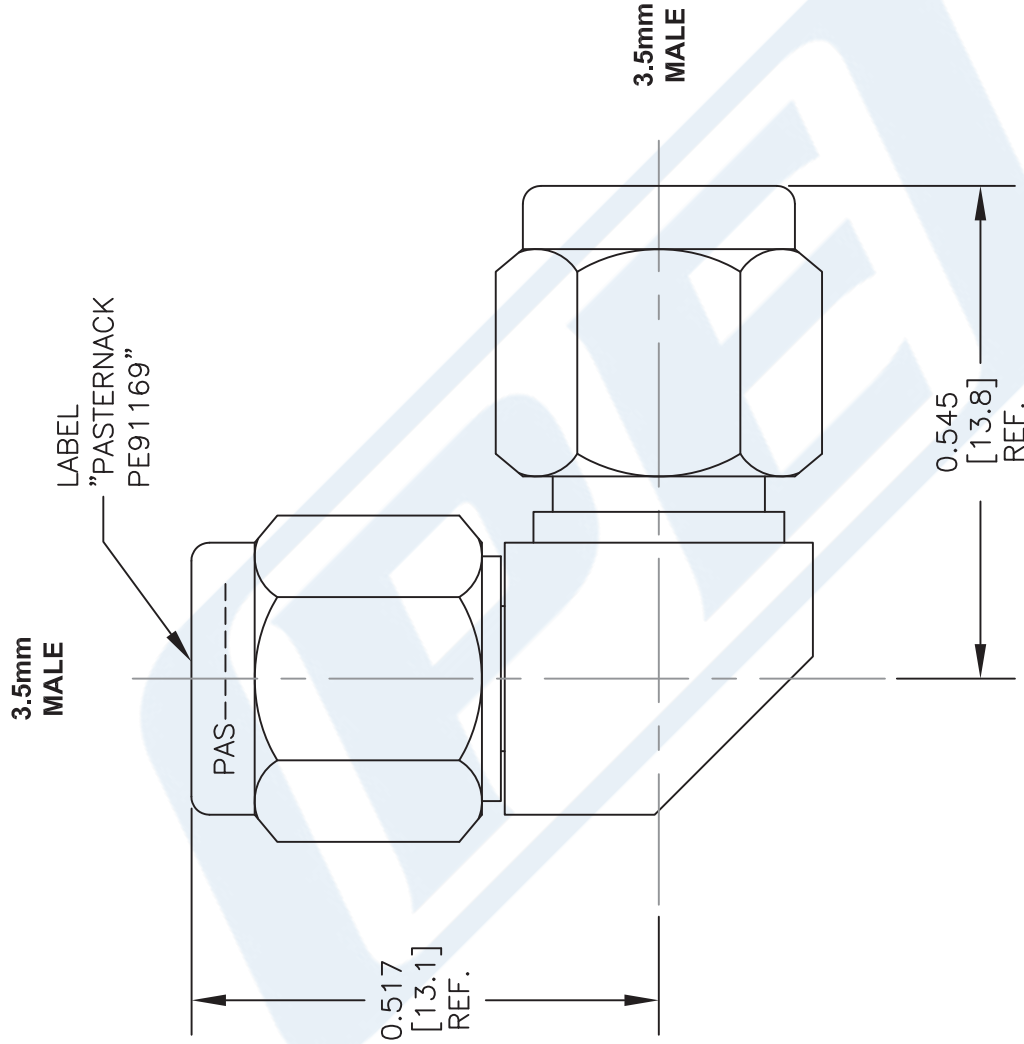
Click the following link (or enter part number in "SEARCH" on website) to obtain additional part information including price, inventory and certifications: [3.5mm Male to 3.5mm Male Right Angle Adapter PE91169](#)

URL: <https://www.pasternack.com/3.5mm-male-3.5mm-male-right-angle-adapter-pe91169-p.aspx>

The information contained in this document is accurate to the best of our knowledge and representative of the part described herein. It may be necessary to make modifications to the part and/or the documentation of the part, in order to implement improvements. Pasternack reserves the right to make such changes as required. Unless otherwise stated, all specifications are nominal. Pasternack does not make any representation or warranty regarding the suitability of the part described herein for any particular purpose, and Pasternack does not assume any liability arising out of the use of any part or documentation.

# PE91169 CAD Drawing

## 3.5mm Male to 3.5mm Male Right Angle Adapter



**STANDARD TOLERANCES**  
 .X ±0.2  
 .XX ±0.1  
 .XXX ±0.05

\*STANDARD TOLERANCES APPLY ONLY TO DIMENSIONS IN INCHES

**NOTES:**  
 1. UNLESS OTHERWISE SPECIFIED ALL DIMENSIONS ARE NOMINAL.  
 2. ALL SPECIFICATIONS ARE SUBJECT TO CHANGE WITHOUT NOTICE AT ANY TIME.  
 3. DIMENSIONS ARE IN INCHES [mm].

DWG TITLE  
**PE91169**

FSCM NO. 53919

CAD FILE 090116

SCALE N/A

SIZE A

41742

**(PE) PASTERNAK®**  
 THE ENGINEER'S RF SOURCE  
 Pasternack Enterprises, Inc.  
 P.O. Box 16759 | Irvine | CA | 92623  
 Phone: (949) 261-1920 | Fax: (949) 261-7451  
 Website: www.pasternack.com | E-Mail: sales@pasternack.com