



SMC Plug to SMC Plug Adapter

RF Adapters Technical Data Sheet

PE9117

Configuration

- SMC Plug Connector 1
- SMC Plug Connector 2
- 50 Ohms
- Straight Body Geometry

Features

- Typical VSWR of 1.3:1 up to 6 GHz
- SMC Interface compliant with MIL-STD-348A
- Gold Plated Beryllium Copper Contact
- 30µ in min Gold Contact Plating

Applications

- General Purpose Test

Description

Pasternack's PE9117 SMC plug to SMC plug adapter is part of our full line of RF components available for same-day shipping. Our SMC to SMC adapter has a plug to plug gender configuration. PE9117 SMC plug to SMC plug adapter operates to 6 GHz.

RF adapters are often used to enable connections between two connector types that would otherwise not mate. Certain adapter configurations can also be used to protect connectors on expensive equipment where the number of connect/disconnect cycles is high. An RF, microwave or millimeter wave adapter is connected to the equipment, and the commonly changed connection is made with the adapter which can be easily replaced when it wears out after high usage; such adapters are referred to as connector savers. Pasternack also offers bulkhead, panel mount, hermetically sealed, reverse polarity, and isolated ground adapter varieties to serve all of your RF, microwave and millimeter wave needs.

Electrical Specifications

Description	Minimum	Typical	Maximum	Units
Frequency Range	DC		6	GHz
VSWR		1.3:1		

Electrical Specification Notes:
Values at 25°C, sea level.

Mechanical Specifications

Size	
Length	0.655 in [16.64 mm]
Width	0.25 in [6.35 mm]
Weight	0.006 lbs [2.72 g]

Click the following link (or enter part number in "SEARCH" on website) to obtain additional part information including price, inventory and certifications: [SMC Plug to SMC Plug Adapter PE9117](#)



SMC Plug to SMC Plug Adapter

RF Adapters Technical Data Sheet

PE9117

Description	Connector 1	Connector 2
Type	SMC Plug	SMC Plug
Polarity	Standard	Standard
Interface Specification	MIL-STD-348A	MIL-STD-348A
Hex Size	1/4 in.	1/4 in.
Mating Torque	5 in-lbs [0.57 Nm] max	5 in-lbs [0.57 Nm] max

Material Specifications

Description	Connector 1		Connector 2	
	Material	Plating	Material	Plating
Type	SMC Plug		SMC Plug	
Contact	Beryllium Copper	Gold 30µ in. minimum	Beryllium Copper	Gold 30µ in. minimum
Insulation	Teflon		Teflon	
Body	Brass	Nickel 100µ in. minimum	Brass	Nickel 100µ in. minimum
Coupling Nut	Brass	Nickel 100µ in. minimum	Brass	Nickel 100µ in. minimum

Environmental Specifications

Temperature

Operating Range -65 to +165 deg C

Compliance Certifications (see [product page](#) for current document)

Plotted and Other Data

Notes:

Click the following link (or enter part number in "SEARCH" on website) to obtain additional part information including price, inventory and certifications: [SMC Plug to SMC Plug Adapter PE9117](#)



SMC Plug to SMC Plug Adapter

RF Adapters Technical Data Sheet

PE9117

SMC Plug to SMC Plug Adapter from Pasternack Enterprises has same day shipment for domestic and International orders. Our RF, microwave and millimeter wave products maintain a 99% availability and are part of the broadest selection in the industry.

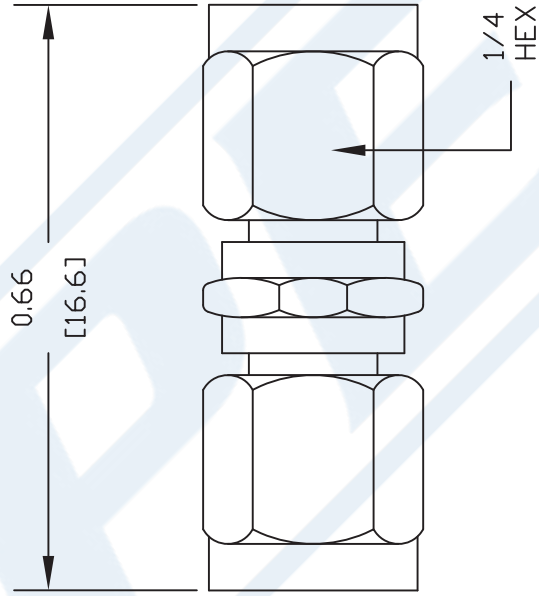
Click the following link (or enter part number in "SEARCH" on website) to obtain additional part information including price, inventory and certifications: [SMC Plug to SMC Plug Adapter PE9117](#)

URL: <https://www.pasternack.com/smc-plug-smc-plug-straight-adapter-pe9117-p.aspx>

The information contained in this document is accurate to the best of our knowledge and representative of the part described herein. It may be necessary to make modifications to the part and/or the documentation of the part, in order to implement improvements. Pasternack reserves the right to make such changes as required. Unless otherwise stated, all specifications are nominal. Pasternack does not make any representation or warranty regarding the suitability of the part described herein for any particular purpose, and Pasternack does not assume any liability arising out of the use of any part or documentation.

PE9117 CAD Drawing

SMC Plug to SMC Plug Adapter



DWG TITLE

PE9117

NOTES:
 1. UNLESS OTHERWISE SPECIFIED ALL DIMENSIONS ARE NOMINAL.
 2. ALL SPECIFICATIONS ARE SUBJECT TO CHANGE WITHOUT NOTICE AT ANY TIME.
 3. DIMENSIONS ARE IN INCHES [mm].

REV. -

FSCM NO. 53919

CAD FILE 082702

SCALE N/A

SIZE A

127



Pasternack Enterprises, Inc.
 P.O. Box 16759 | Irvine | CA | 92623
Phone: (949) 261-1920 | **Fax:** (949) 261-7451
Website: www.pasternack.com | **E-Mail:** sales@pasternack.com