



Precision 3.5mm Female to 3.5mm Female Right Angle Adapter

TECHNICAL DATA SHEET

PE91171

Configuration

Connector 1	3.5mm Female
Impedance 1	50 Ohms
Connector 2	3.5mm Female
Impedance 2	50 Ohms
Adapter Design	Precision
Body Style	Right Angle

Electrical Specifications

Frequency Range	DC to 34.5 GHz
Maximum VSWR	1.25:1

Mechanical Specifications

Connector 1

Type	3.5mm Female
Inner Conductor Material and Plating	Beryllium Copper, Gold
Inner Conductor Plating Specification	MIL-G-45204
Outer Conductor Material and Plating	Passivated Stainless Steel
Outer Conductor Plating Specification	ASTM A380
Body Material and Plating	Passivated Stainless Steel
Body Plating Specification	ASTM A380
Dielectric Type	PPO

Connector 2

Type	3.5mm Female
Inner Conductor Material and Plating	Beryllium Copper, Gold
Inner Conductor Plating Specification	MIL-G-45204
Outer Conductor Material and Plating	Passivated Stainless Steel
Outer Conductor Plating Specification	ASTM A380
Body Material and Plating	Passivated Stainless Steel
Body Plating Specification	ASTM A380
Dielectric Type	PPO

Environmental Specifications

Compliance Certifications (visit www.Pasternack.com for current document)

RoHS Compliant

Click the following link (or enter part number in "SEARCH" on website) to obtain additional part information including price, inventory and certifications: [Precision 3.5mm Female to 3.5mm Female Right Angle Adapter PE91171](#)



Precision 3.5mm Female to 3.5mm Female Right Angle Adapter

TECHNICAL DATA SHEET

PE91171

Plotted and Other Data

Notes:

- Values at +25 °C, sea level

Precision 3.5mm Female to 3.5mm Female Right Angle Adapter from Pasternack Enterprises has same day shipment for domestic and International orders. Our RF, microwave and millimeter wave products maintain a 99% availability and are part of the broadest selection in the industry.

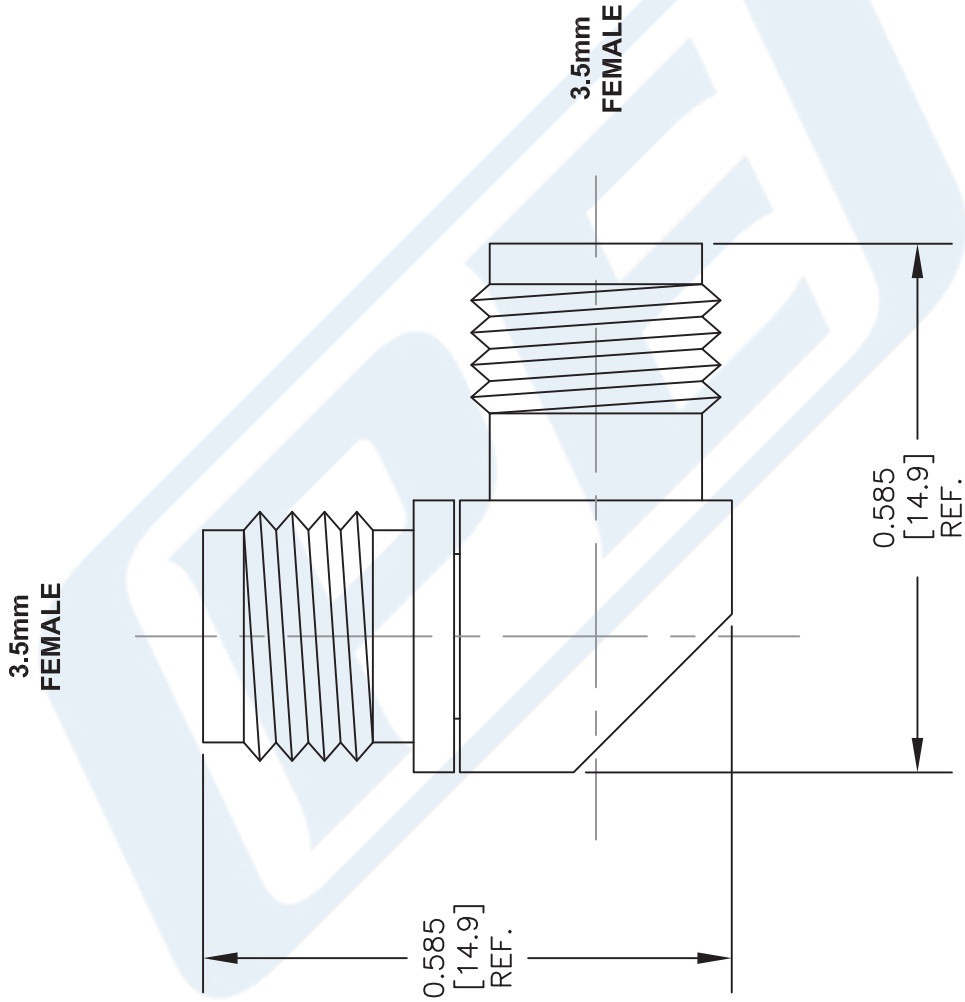
Click the following link (or enter part number in "SEARCH" on website) to obtain additional part information including price, inventory and certifications: [Precision 3.5mm Female to 3.5mm Female Right Angle Adapter PE91171](#)

URL: <http://www.pasternack.com/3.5mm-female-3.5mm-female-right-angle-adapter-pe91171-p.aspx>

The information contained in this document is accurate to the best of our knowledge and representative of the part described herein. It may be necessary to make modifications to the part and/or the documentation of the part, in order to implement improvements. Pasternack reserves the right to make such changes as required. Unless otherwise stated, all specifications are nominal. Pasternack does not make any representation or warranty regarding the suitability of the part described herein for any particular purpose, and Pasternack does not assume any liability arising out of the use of any part or documentation.

PE91171 CAD Drawing

Precision 3.5mm Female to 3.5mm Female Right Angle Adapter



DWG TITLE

PE91171

NOTES:
1. UNLESS OTHERWISE SPECIFIED ALL DIMENSIONS ARE NOMINAL.
2. ALL SPECIFICATIONS ARE SUBJECT TO CHANGE WITHOUT NOTICE AT ANY TIME.
3. DIMENSIONS ARE IN INCHES [mm].

FSCM NO. 53919

CAD FILE 022614

SCALE N/A

SIZE A

2233



THE ENGINEER'S RF SOURCE

Pasternack Enterprises, Inc.
P.O. Box 16759 | Irvine | CA | 92623
Phone: (949) 261-1920 | Fax: (949) 261-7451
Website: www.pasternack.com | E-Mail: sales@pasternack.com