



## Low PIM Bulkhead Mount N Female to N Female Adapter

### RF Adapters Technical Data Sheet

PE91179

#### Configuration

- N Female Connector 1
- N Female Connector 2
- 50 Ohm
- Low PIM Design
- Straight Body Geometry
- Bulkhead Mount Method

#### Features

- Max VSWR of 1.2:1 up to 6 GHz
- PIM levels lower than -160 dBc
- Silver Plated Beryllium Copper Contact

#### Applications

- General Purpose Test
- Rack Mounted Equipment
- Low PIM Applications

#### Description

Pasternack's PE91179 low PIM bulkhead type N female to type N female adapter is part of our full line of RF components available for same-day shipping. Our type N to type N adapter has a female to female gender configuration in a low PIM design. PE91179 type N female to type N female adapter operates to 6 GHz. The Pasternack RF adapter provides excellent VSWR of 1.2:1 maximum and passive intermodulation of -160 dBc maximum. This RF type N bulkhead to type N adapter allows designers to create external connections on their product enclosures, and can be used in a variety of other rack mount and panel mount applications.

RF adapters are often used to enable connections between two connector types that would otherwise not mate. Certain adapter configurations can also be used to protect connectors on expensive equipment where the number of connect/disconnect cycles is high. An RF, microwave or millimeter wave adapter is connected to the equipment, and the commonly changed connection is made with the adapter which can be easily replaced when it wears out after high usage; such adapters are referred to as connector savers. Pasternack also offers bulkhead, panel mount, hermetically sealed, reverse polarity, and isolated ground adapter varieties to serve all of your RF, microwave and millimeter wave needs.

#### Electrical Specifications

| Description                                    | Minimum | Typical | Maximum | Units |
|------------------------------------------------|---------|---------|---------|-------|
| Frequency Range                                | DC      |         | 6       | GHz   |
| VSWR                                           |         |         | 1.2:1   |       |
| Insertion Loss                                 |         |         | 0.1     | dB    |
| Passive Intermodulation<br>using two 20W tones |         |         | -160    | dBc   |

Electrical Specification Notes:  
 Values at 25°C, sea level.

#### Mechanical Specifications

| Size   |                    |
|--------|--------------------|
| Length | 1.4 in [35.56 mm]  |
| Width  | 0.82 in [20.83 mm] |

Click the following link (or enter part number in "SEARCH" on website) to obtain additional part information including price, inventory and certifications: [Low PIM Bulkhead Mount N Female to N Female Adapter PE91179](#)



## Low PIM Bulkhead Mount N Female to N Female Adapter

### RF Adapters Technical Data Sheet

PE91179

Weight 0.11 lbs [49.9 g]

| Description | Connector 1 | Connector 2 |
|-------------|-------------|-------------|
| Type        | N Female    | N Female    |
| Polarity    | Standard    | Standard    |

#### Material Specifications

| Description     | Connector 1      |           | Connector 2      |           |
|-----------------|------------------|-----------|------------------|-----------|
|                 | Material         | Plating   | Material         | Plating   |
| Type            | N Female         |           | N Female         |           |
| Contact         | Beryllium Copper | Silver    | Beryllium Copper | Silver    |
| Insulation      | PTFE             |           | PTFE             |           |
| Outer Conductor | Brass            | Tri-Metal | Brass            | Tri-Metal |

#### Environmental Specifications

##### Temperature

Operating Range -45 to +125 deg C

**Compliance Certifications** (see [product page](#) for current document)

#### Plotted and Other Data

Notes:

Low PIM Bulkhead Mount N Female to N Female Adapter from Pasternack Enterprises has same day shipment for domestic and International orders. Our RF, microwave and millimeter wave products maintain a 99% availability and are part of the broadest selection in the industry.

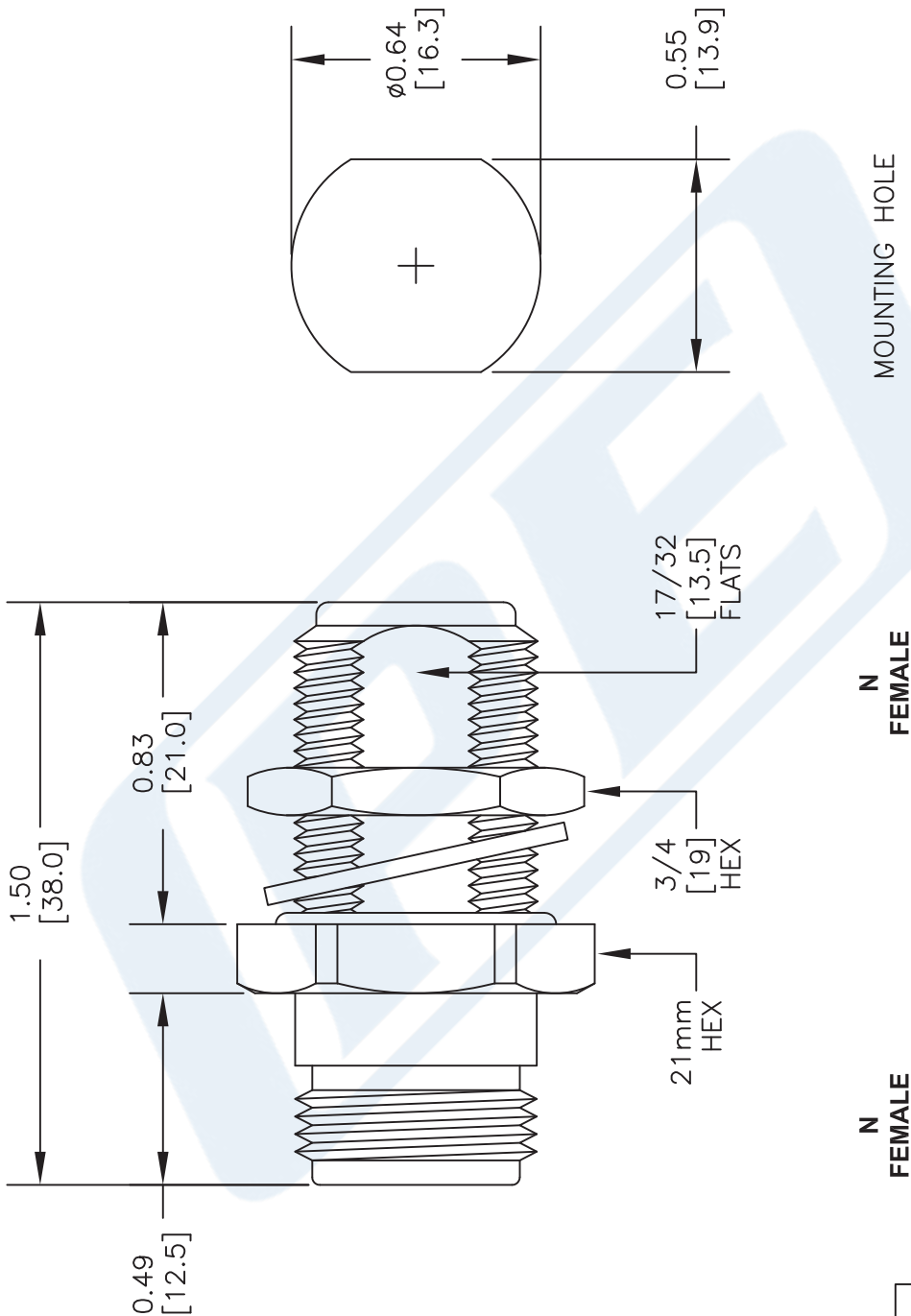
Click the following link (or enter part number in "SEARCH" on website) to obtain additional part information including price, inventory and certifications: [Low PIM Bulkhead Mount N Female to N Female Adapter PE91179](#)

URL: <https://www.pasternack.com/n-female-n-female-straight-adapter-pe91179-p.aspx>

The information contained in this document is accurate to the best of our knowledge and representative of the part described herein. It may be necessary to make modifications to the part and/or the documentation of the part, in order to implement improvements. Pasternack reserves the right to make such changes as required. Unless otherwise stated, all specifications are nominal. Pasternack does not make any representation or warranty regarding the suitability of the part described herein for any particular purpose, and Pasternack does not assume any liability arising out of the use of any part or documentation.

# PE91179 CAD Drawing

Low PIM Bulkhead Mount N Female to N Female Adapter



| STANDARD TOLERANCES |       |
|---------------------|-------|
| .X                  | ±0.2  |
| .XX                 | ±0.1  |
| .XXX                | ±0.05 |

\*STANDARD TOLERANCES APPLY ONLY TO DIMENSIONS IN INCHES

NOTES:  
 1. UNLESS OTHERWISE SPECIFIED ALL DIMENSIONS ARE NOMINAL.  
 2. ALL SPECIFICATIONS ARE SUBJECT TO CHANGE WITHOUT NOTICE AT ANY TIME.  
 3. DIMENSIONS ARE IN INCHES [mm].

DWG TITLE  
**PE91179**

FSCM NO. 53919

CAD FILE 082616

SCALE N/A

SIZE A

41742

**PE PASTERNAK®**  
 THE ENGINEER'S RF SOURCE

Pasternack Enterprises, Inc.  
 P.O. Box 16759 | Irvine | CA | 92623

Phone: (949) 261-1920 | Fax: (949) 261-7451  
 Website: www.pasternack.com | E-Mail: sales@pasternack.com