



SMB Jack to SMB Jack Bulkhead Adapter

RF Adapters Technical Data Sheet

PE9122

Configuration

- SMB Jack Connector 1
- SMB Jack Connector 2
- 50 Ohms
- Straight Body Geometry
- Bulkhead Mount Method

Features

- Typical VSWR of 1.3:1 up to 4 GHz
- SMB Interface compliant with MIL-STD-348A
- Gold Plated Brass Contact
- 30 μ-in min Gold Contact Plating

Applications

- General Purpose Test
- Rack Mounted Equipment

Description

Pasternack's PE9122 SMB jack to SMB jack bulkhead adapter is part of our full line of RF components available for same-day shipping. Our SMB to SMB adapter has a jack to jack gender configuration. PE9122 SMB jack to SMB jack adapter operates to 4 GHz. This RF SMB to SMB bulkhead adapter allows designers to create external connections on their product enclosures, and can be used in a variety of other rack mount and panel mount applications.

RF adapters are often used to enable connections between two connector types that would otherwise not mate. Certain adapter configurations can also be used to protect connectors on expensive equipment where the number of connect/disconnect cycles is high. An RF, microwave or millimeter wave adapter is connected to the equipment, and the commonly changed connection is made with the adapter which can be easily replaced when it wears out after high usage; such adapters are referred to as connector savers. Pasternack also offers bulkhead, panel mount, hermetically sealed, reverse polarity, and isolated ground adapter varieties to serve all of your RF, microwave and millimeter wave needs.

Electrical Specifications

Description	Minimum	Typical	Maximum	Units
Frequency Range	DC		4	GHz
VSWR		1.3:1		
Operating Voltage (AC)			335	Vrms

Electrical Specification Notes:
 Values at 25°C, sea level.

Mechanical Specifications

Size	
Length	0.725 in [18.42 mm]
Width	0.25 in [6.35 mm]
Weight	0.006 lbs [2.72 g]

Click the following link (or enter part number in "SEARCH" on website) to obtain additional part information including price, inventory and certifications: [SMB Jack to SMB Jack Bulkhead Adapter PE9122](#)



SMB Jack to SMB Jack Bulkhead Adapter

RF Adapters Technical Data Sheet

PE9122

Description	Connector 1	Connector 2
Type	SMB Jack	SMB Jack
Polarity	Standard	Standard
Interface Specification	MIL-STD-348A	MIL-STD-348A

Material Specifications

Description	Connector 1		Connector 2	
	Material	Plating	Material	Plating
Type	SMB Jack		SMB Jack	
Contact	Brass	Gold 30 μ-in minimum	Brass	Gold 30 μ-in minimum
Insulation	PTFE		PTFE	
Outer Conductor	Brass	Nickel 100 μ-in minimum	Brass	Nickel 100 μ-in minimum

Environmental Specifications

Temperature

Operating Range -65 to +165 deg C

Compliance Certifications (see [product page](#) for current document)

Plotted and Other Data

Notes:

Click the following link (or enter part number in "SEARCH" on website) to obtain additional part information including price, inventory and certifications: [SMB Jack to SMB Jack Bulkhead Adapter PE9122](#)



SMB Jack to SMB Jack Bulkhead Adapter

RF Adapters Technical Data Sheet

PE9122

SMB Jack to SMB Jack Bulkhead Adapter from Pasternack Enterprises has same day shipment for domestic and International orders. Our RF, microwave and millimeter wave products maintain a 99% availability and are part of the broadest selection in the industry.

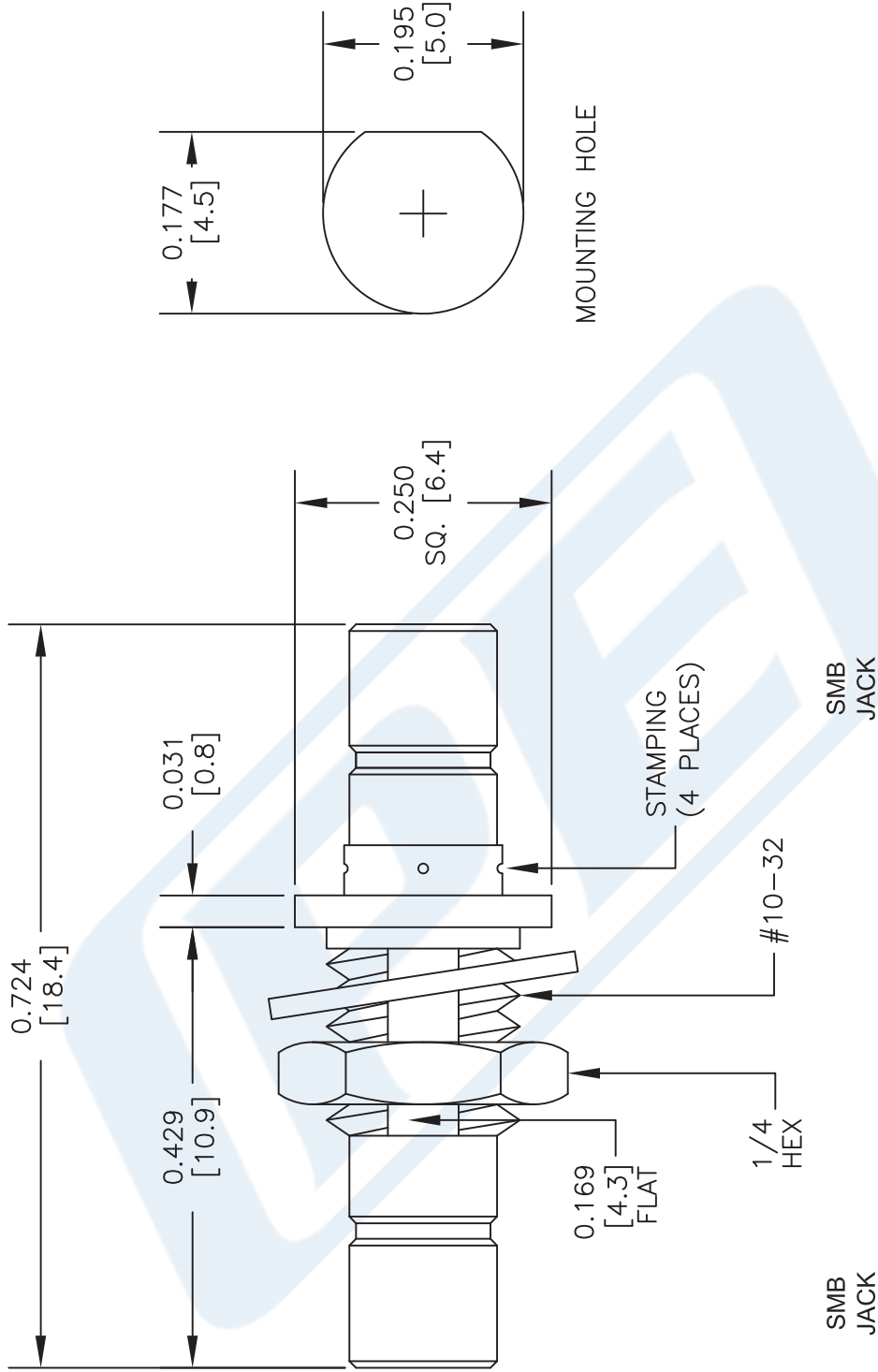
Click the following link (or enter part number in "SEARCH" on website) to obtain additional part information including price, inventory and certifications: [SMB Jack to SMB Jack Bulkhead Adapter PE9122](https://www.pasternack.com/smb-jack-smb-jack-straight-adapter-pe9122-p.aspx)

URL: <https://www.pasternack.com/smb-jack-smb-jack-straight-adapter-pe9122-p.aspx>

The information contained in this document is accurate to the best of our knowledge and representative of the part described herein. It may be necessary to make modifications to the part and/or the documentation of the part, in order to implement improvements. Pasternack reserves the right to make such changes as required. Unless otherwise stated, all specifications are nominal. Pasternack does not make any representation or warranty regarding the suitability of the part described herein for any particular purpose, and Pasternack does not assume any liability arising out of the use of any part or documentation.

PE9122 CAD Drawing

SMB Jack to SMB Jack Bulkhead Adapter



STANDARD TOLERANCES	
.X	±0.2
.XX	±0.1
.XXX	±0.05

*STANDARD TOLERANCES APPLY ONLY TO DIMENSIONS IN INCHES

NOTES:
 1. UNLESS OTHERWISE SPECIFIED ALL DIMENSIONS ARE NOMINAL.
 2. ALL SPECIFICATIONS ARE SUBJECT TO CHANGE WITHOUT NOTICE AT ANY TIME.
 3. DIMENSIONS ARE IN INCHES [mm].

DWG TITLE
PE9122

FSCM NO. 53919

CAD FILE 022216

SCALE N/A

SIZE A

3045

PE PASTERNAK®
 THE ENGINEER'S RF SOURCE

Pasternack Enterprises, Inc.
 P.O. Box 16759 | Irvine | CA | 92623

Phone: (949) 261-1920 | Fax: (949) 261-7451
 Website: www.pasternack.com | E-Mail: sales@pasternack.com