



## Slide-On MMBX Plug to MMBX Plug Slide-On Adapter, 9.7mm Long bullet

### RF Adapters Technical Data Sheet

PE91371

#### Configuration

- Slide-On MMBX Plug Connector 1
- Slide-On MMBX Plug Connector 2
- 50 Ohm
- Straight Body Geometry

#### Features

- Max VSWR of 1.15:1 up to 12.4 GHz
- Gold Plated Contact
- Reliable Snap-On connection method
- Mechanical misalignment tolerance of 4.5°/0.7mm Max

#### Applications

- General Purpose Test
- Low cost blind mate interconnect
- Multi circuit board radios
- Board to board applications requiring multiple coaxial connections

#### Description

Pasternack's PE91371 slide-on MMBX plug to MMBX plug slide-on adapter is part of our full line of RF components available for same-day shipping. Our MMBX to MMBX adapter has a plug to plug gender configuration. PE91371 MMBX plug to MMBX plug adapter is gold plated and operates to 12.4 GHz. The Pasternack RF adapter provides excellent VSWR of 1.15:1 maximum.

RF adapters are often used to enable connections between two connector types that would otherwise not mate. Certain adapter configurations can also be used to protect connectors on expensive equipment where the number of connect/disconnect cycles is high. An RF, microwave or millimeter wave adapter is connected to the equipment, and the commonly changed connection is made with the adapter which can be easily replaced when it wears out after high usage; such adapters are referred to as connector savers. Pasternack also offers bulkhead, panel mount, hermetically sealed, reverse polarity, and isolated ground adapter varieties to serve all of your RF, microwave and millimeter wave needs.

#### Electrical Specifications

Description	Minimum	Typical	Maximum	Units
Frequency Range	DC		12.4	GHz
VSWR			1.15:1	
Insertion Loss			0.63	dB
Operating Voltage (AC)			330	Vrms
Dielectric Withstanding Voltage (AC)			500	Vrms
Insulation Resistance	1,000			MOhms

#### Mechanical Specifications

##### Size

Length	0.38 in [9.65 mm]
Width	0.149 in [3.78 mm]
Weight	0.00582 lbs [2.64 g]

Click the following link (or enter part number in "SEARCH" on website) to obtain additional part information including price, inventory and certifications: [Slide-On MMBX Plug to MMBX Plug Slide-On Adapter, 9.7mm Long bullet PE91371](#)



Slide-On MMBX Plug to MMBX Plug Slide-On Adapter, 9.7mm Long bullet

RF Adapters Technical Data Sheet

PE91371

Description	Connector 1	Connector 2
Type	MMBX Plug	MMBX Plug
Polarity	Standard	Standard
Mating Cycles	100	100
Contact Captivation Axial Force, Min	2.25 lbs [1.02 Kg]	2.25 lbs [1.02 Kg]

**Material Specifications**

Description	Connector 1		Connector 2	
	Material	Plating	Material	Plating
Type	Slide-On MMBX Plug		Slide-On MMBX Plug	
Contact	Beryllium Copper	Gold	Beryllium Copper	Gold
Insulation	PTFE		PTFE	
Outer Conductor	Bronze	Gold	Bronze	Gold
Body	Bronze	Gold	Bronze	Gold

**Environmental Specifications**

**Temperature**

Operating Range -55 to +155 deg C

**Compliance Certifications** (see [product page](#) for current document)

**Plotted and Other Data**

Notes:

Click the following link (or enter part number in "SEARCH" on website) to obtain additional part information including price, inventory and certifications: [Slide-On MMBX Plug to MMBX Plug Slide-On Adapter, 9.7mm Long bullet PE91371](#)



## Slide-On MMBX Plug to MMBX Plug Slide-On Adapter, 9.7mm Long bullet

### RF Adapters Technical Data Sheet

PE91371

Slide-On MMBX Plug to MMBX Plug Slide-On Adapter, 9.7mm Long bullet from Pasternack Enterprises has same day shipment for domestic and International orders. Our RF, microwave and millimeter wave products maintain a 99% availability and are part of the broadest selection in the industry.

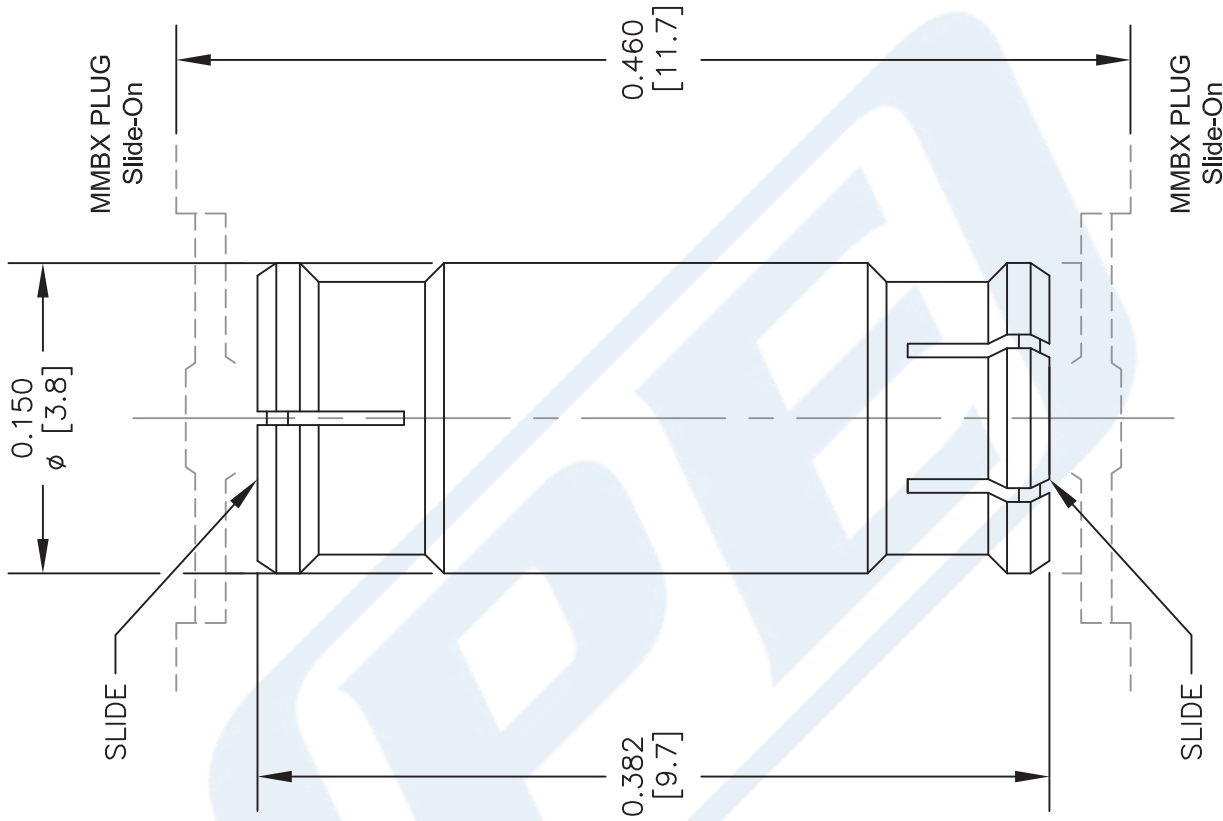
Click the following link (or enter part number in "SEARCH" on website) to obtain additional part information including price, inventory and certifications: [Slide-On MMBX Plug to MMBX Plug Slide-On Adapter, 9.7mm Long bullet PE91371](https://www.pasternack.com/mmbx-plug-mmbx-plug-straight-adapter-pe91371-p.aspx)

URL: <https://www.pasternack.com/mmbx-plug-mmbx-plug-straight-adapter-pe91371-p.aspx>

The information contained in this document is accurate to the best of our knowledge and representative of the part described herein. It may be necessary to make modifications to the part and/or the documentation of the part, in order to implement improvements. Pasternack reserves the right to make such changes as required. Unless otherwise stated, all specifications are nominal. Pasternack does not make any representation or warranty regarding the suitability of the part described herein for any particular purpose, and Pasternack does not assume any liability arising out of the use of any part or documentation.

# PE91371 CAD Drawing

Slide-On MMBX Plug to MMBX Plug Slide-On Adapter, 9.7mm Long bullet



### STANDARD TOLERANCES

.X ±0.2  
.XX ±0.1  
.XXX ±0.05

\*STANDARD TOLERANCES APPLY ONLY TO DIMENSIONS IN INCHES

DWG TITLE

**PE91371**

NOTES:  
1. UNLESS OTHERWISE SPECIFIED ALL DIMENSIONS ARE NOMINAL.  
2. ALL SPECIFICATIONS ARE SUBJECT TO CHANGE WITHOUT NOTICE AT ANY TIME.  
3. DIMENSIONS ARE IN INCHES [mm].

**PE PASTERNAK**  
THE ENGINEER'S RF SOURCE  
Pasternack Enterprises, Inc.  
P.O. Box 16759 | Irvine | CA | 92623  
Phone: (949) 261-1920 | Fax: (949) 261-7451  
Website: www.pasternack.com | E-Mail: sales@pasternack.com

FSCM NO. 53919

CAD FILE 102416

SCALE N/A

SIZE A

2233