



Slide-On MMBX Plug to MMBX Plug Snap-On Adapter, 7mm Long Bullet

RF Adapters Technical Data Sheet

PE91373

Configuration

- Slide-On MMBX Plug Connector 1
- Snap-On MMBX Plug Connector 2
- 50 Ohm
- Straight Body Geometry

Features

- Max VSWR of 1.08:1 up to 12.4 GHz
- Gold Plated Contact
- Reliable Snap-On connection method
- Mechanical misalignment tolerance of 4.5°/0.7mm Max

Applications

- General Purpose Test
- Low cost blind mate interconnect
- Multi circuit board radios
- Board to board applications requiring multiple coaxial connections

Description

Pasternack's PE91373 slide-on MMBX plug to MMBX plug snap-on adapter is part of our full line of RF components available for same-day shipping. Our MMBX to MMBX adapter has a plug to plug gender configuration. PE91373 MMBX plug to MMBX plug adapter is gold plated and operates to 12.4 GHz. The Pasternack RF adapter provides excellent VSWR of 1.08:1 maximum.

RF adapters are often used to enable connections between two connector types that would otherwise not mate. Certain adapter configurations can also be used to protect connectors on expensive equipment where the number of connect/disconnect cycles is high. An RF, microwave or millimeter wave adapter is connected to the equipment, and the commonly changed connection is made with the adapter which can be easily replaced when it wears out after high usage; such adapters are referred to as connector savers. Pasternack also offers bulkhead, panel mount, hermetically sealed, reverse polarity, and isolated ground adapter varieties to serve all of your RF, microwave and millimeter wave needs.

Electrical Specifications

Description	Minimum	Typical	Maximum	Units
Frequency Range	DC		12.4	GHz
VSWR			1.08:1	
Insertion Loss			0.42	dB
Operating Voltage (AC)			330	Vrms
Dielectric Withstanding Voltage (AC)			1,000	Vrms
Insulation Resistance	1,000			MOhms

Mechanical Specifications

Size

Length	0.27 in [6.86 mm]
Width	0.149 in [3.78 mm]
Weight	0.00554 lbs [2.51 g]

Click the following link (or enter part number in "SEARCH" on website) to obtain additional part information including price, inventory and certifications: [Slide-On MMBX Plug to MMBX Plug Snap-On Adapter, 7mm Long Bullet PE91373](#)



Slide-On MMBX Plug to MMBX Plug Snap-On Adapter, 7mm Long Bullet

RF Adapters Technical Data Sheet

PE91373

Description	Connector 1	Connector 2
Type	MMBX Plug	MMBX Plug
Polarity	Standard	Standard
Mating Cycles	100	100
Contact Captivation Axial Force, Min	2.25 lbs [1.02 Kg]	2.25 lbs [1.02 Kg]

Material Specifications

Description	Connector 1		Connector 2	
	Material	Plating	Material	Plating
Type	Slide-On MMBX Plug		Snap-On MMBX Plug	
Contact	Beryllium Copper	Gold	Beryllium Copper	Gold
Insulation	PTFE		PTFE	
Outer Conductor	Beryllium Copper	Gold	Beryllium Copper	Gold
Body	Beryllium Copper	Gold	Beryllium Copper	Gold

Environmental Specifications

Temperature

Operating Range -55 to +155 deg C

Compliance Certifications (see [product page](#) for current document)

Plotted and Other Data

Notes:

Click the following link (or enter part number in "SEARCH" on website) to obtain additional part information including price, inventory and certifications: [Slide-On MMBX Plug to MMBX Plug Snap-On Adapter, 7mm Long Bullet PE91373](#)



Slide-On MMBX Plug to MMBX Plug Snap-On Adapter, 7mm Long Bullet

RF Adapters Technical Data Sheet

PE91373

Slide-On MMBX Plug to MMBX Plug Snap-On Adapter, 7mm Long Bullet from Pasternack Enterprises has same day shipment for domestic and International orders. Our RF, microwave and millimeter wave products maintain a 99% availability and are part of the broadest selection in the industry.

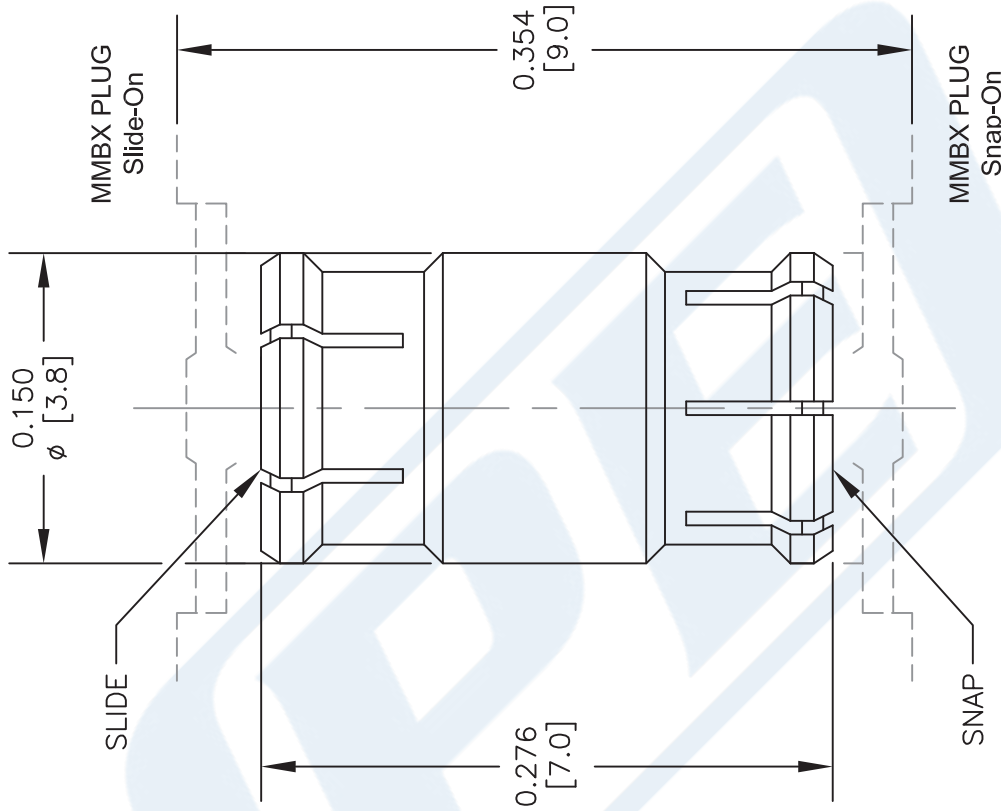
Click the following link (or enter part number in "SEARCH" on website) to obtain additional part information including price, inventory and certifications: [Slide-On MMBX Plug to MMBX Plug Snap-On Adapter, 7mm Long Bullet PE91373](https://www.pasternack.com/mmbx-plug-mmbx-plug-straight-adapter-pe91373-p.aspx)

URL: <https://www.pasternack.com/mmbx-plug-mmbx-plug-straight-adapter-pe91373-p.aspx>

The information contained in this document is accurate to the best of our knowledge and representative of the part described herein. It may be necessary to make modifications to the part and/or the documentation of the part, in order to implement improvements. Pasternack reserves the right to make such changes as required. Unless otherwise stated, all specifications are nominal. Pasternack does not make any representation or warranty regarding the suitability of the part described herein for any particular purpose, and Pasternack does not assume any liability arising out of the use of any part or documentation.

PE91373 CAD Drawing

Slide-On MMBX Plug to MMBX Plug Snap-On Adapter, 7mm Long Bullet



STANDARD TOLERANCES

- .X ±0.2
- .XX ±0.1
- .XXX ±0.05

*STANDARD TOLERANCES APPLY ONLY TO DIMENSIONS IN INCHES

DWG TITLE

PE91373

NOTES:
 1. UNLESS OTHERWISE SPECIFIED ALL DIMENSIONS ARE NOMINAL.
 2. ALL SPECIFICATIONS ARE SUBJECT TO CHANGE WITHOUT NOTICE AT ANY TIME.
 3. DIMENSIONS ARE IN INCHES [mm].

PE PASTERNAK
 THE ENGINEER'S RF SOURCE
 Pasternack Enterprises, Inc.
 P.O. Box 16759 | Irvine | CA | 92623
 Phone: (949) 261-1920 | Fax: (949) 261-7451
 Website: www.pasternack.com | E-Mail: sales@pasternack.com

FSCM NO. 53919

CAD FILE 102416

SCALE N/A

SIZE A

2233