



# SMC Jack to SMC Jack Bulkhead Mount Adapter

## RF Adapters Technical Data Sheet

PE91403

### Configuration

- SMC Jack Connector 1
- SMC Jack Connector 2
- 50 Ohm
- Straight Body Geometry
- Bulkhead Mount Method

### Features

- SMC interface compliant with MIL-STD-348A
- Contact plating according to MIL-G-45204
- Gold Plated Brass Contact

### Applications

- General Purpose Test
- Rack Mounted Equipment

### Description

Pasternack's PE91403 SMC jack to SMC jack bulkhead adapter is part of our full line of RF components available for same-day shipping. Our SMC to SMC adapter has a jack to jack gender configuration. PE91403 SMC jack to SMC jack adapter operates to 10 GHz. This RF SMC to SMC bulkhead adapter allows designers to create external connections on their product enclosures, and can be used in a variety of other rack mount and panel mount applications.

RF adapters are often used to enable connections between two connector types that would otherwise not mate. Certain adapter configurations can also be used to protect connectors on expensive equipment where the number of connect/disconnect cycles is high. An RF, microwave or millimeter wave adapter is connected to the equipment, and the commonly changed connection is made with the adapter which can be easily replaced when it wears out after high usage; such adapters are referred to as connector savers. Pasternack also offers bulkhead, panel mount, hermetically sealed, reverse polarity, and isolated ground adapter varieties to serve all of your RF, microwave and millimeter wave needs.

### Electrical Specifications

Description	Minimum	Typical	Maximum	Units
Frequency Range	DC		10	GHz
Operating Voltage (AC)			335	Vrms
Dielectric Withstanding Voltage (AC)			1,000	Vrms
Insulation Resistance	1,000			MOhms

Electrical Specification Notes:  
Values at 25°C, sea level.

### Mechanical Specifications

Size	
Length	0.69 in [17.53 mm]
Width	0.25 in [6.35 mm]
Weight	0.004 lbs [1.81 g]

Click the following link (or enter part number in "SEARCH" on website) to obtain additional part information including price, inventory and certifications: [SMC Jack to SMC Jack Bulkhead Mount Adapter PE91403](#)



SMC Jack to SMC Jack Bulkhead Mount Adapter

RF Adapters Technical Data Sheet

PE91403

Description	Connector 1	Connector 2
Type	SMC Jack	SMC Jack
Polarity	Standard	Standard
Interface Specification	MIL-STD-348A	MIL-STD-348A
Hex Size		1/4 in

**Material Specifications**

Description	Connector 1		Connector 2	
	Material	Plating	Material	Plating
Type	SMC Jack		SMC Jack	
Contact	Brass	Gold MIL-G-45204	Brass	Gold MIL-G-45204
Insulation	PTFE		PTFE	
Outer Conductor	Brass	Nickel QQ-N-290	Brass	Nickel QQ-N-290
Body	Brass	Nickel QQ-N-290	Brass	Nickel QQ-N-290
Washer	Brass	Nickel QQ-N-290	Brass	Nickel QQ-N-290

**Environmental Specifications**

**Temperature**

Operating Range

-65 to +165 deg C

**Compliance Certifications** (see [product page](#) for current document)

**Plotted and Other Data**

Notes:

Click the following link (or enter part number in "SEARCH" on website) to obtain additional part information including price, inventory and certifications: [SMC Jack to SMC Jack Bulkhead Mount Adapter PE91403](#)



## SMC Jack to SMC Jack Bulkhead Mount Adapter

### RF Adapters Technical Data Sheet

PE91403

SMC Jack to SMC Jack Bulkhead Mount Adapter from Pasternack Enterprises has same day shipment for domestic and International orders. Our RF, microwave and millimeter wave products maintain a 99.4% availability and are part of the broadest selection in the industry.

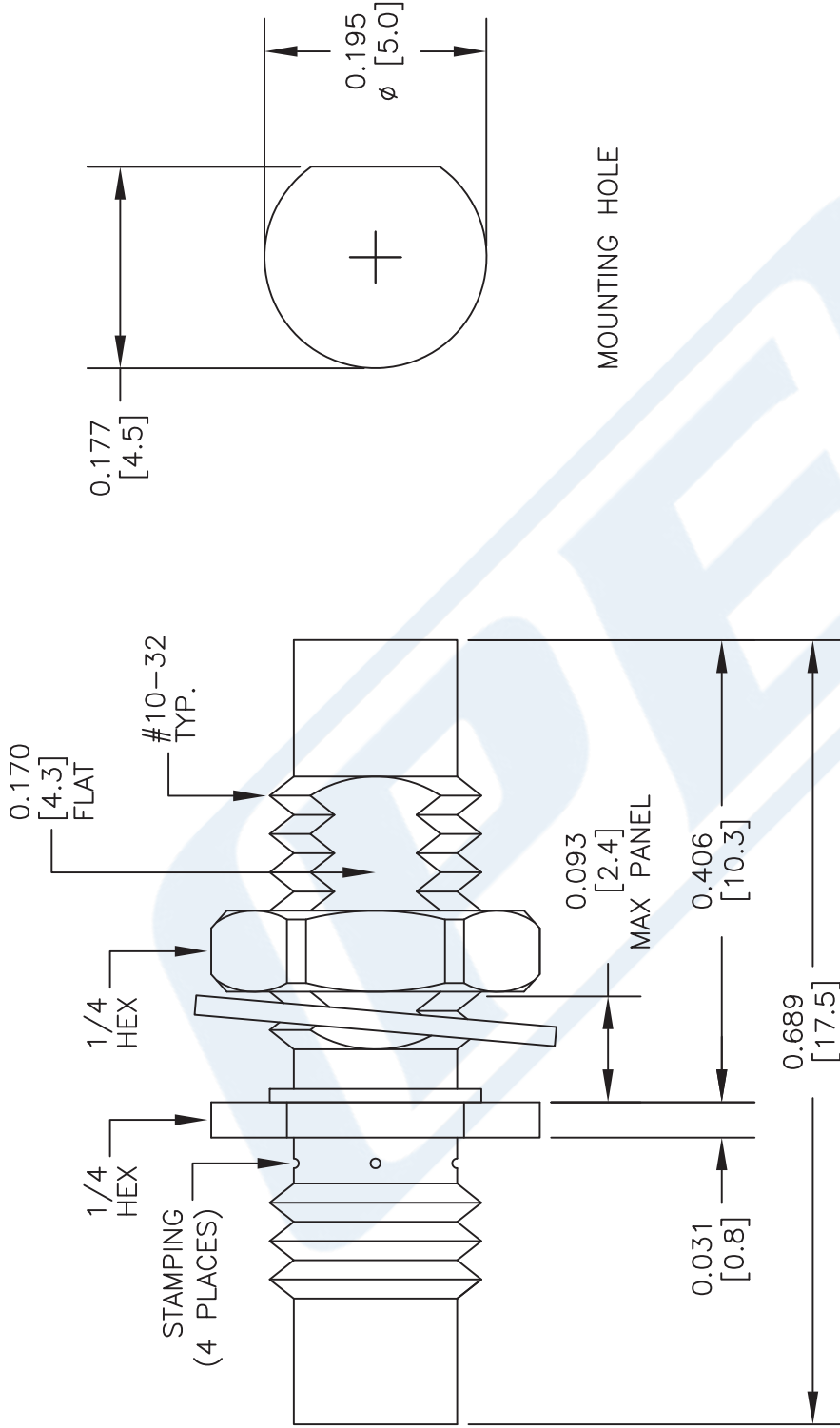
Click the following link (or enter part number in "SEARCH" on website) to obtain additional part information including price, inventory and certifications: [SMC Jack to SMC Jack Bulkhead Mount Adapter PE91403](#)

URL: <https://www.pasternack.com/smc-jack-smc-jack-straight-adapter-pe91403-p.aspx>

The information contained in this document is accurate to the best of our knowledge and representative of the part described herein. It may be necessary to make modifications to the part and/or the documentation of the part, in order to implement improvements. Pasternack reserves the right to make such changes as required. Unless otherwise stated, all specifications are nominal. Pasternack does not make any representation or warranty regarding the suitability of the part described herein for any particular purpose, and Pasternack does not assume any liability arising out of the use of any part or documentation.

# PE91403 CAD Drawing

SMC Jack to SMC Jack Bulkhead Mount Adapter



### STANDARD TOLERANCES

.X ±0.2  
.XX ±0.1  
.XXX ±0.05

\*STANDARD TOLERANCES APPLY ONLY TO DIMENSIONS IN INCHES



THE ENGINEER'S RF SOURCE  
Pasternack Enterprises, Inc.

P.O. Box 16759 | Irvine | CA | 92623

Phone: (949) 261-1920 | Fax: (949) 261-7451

Website: www.pasternack.com | E-Mail: sales@pasternack.com

DWG TITLE

**PE91403**

CAGE CODE 53919

NOTES:  
1. UNLESS OTHERWISE SPECIFIED ALL DIMENSIONS ARE NOMINAL.  
2. ALL SPECIFICATIONS ARE SUBJECT TO CHANGE WITHOUT NOTICE AT ANY TIME.  
3. DIMENSIONS ARE IN INCHES [mm].

CAD FILE 040517

SCALE N/A

SIZE A

2233