



## 2.92mm Female to Male Precision Calibration Kit Component Thru Operating from DC to 40 GHz

### Calibration Kits Components Technical Data Sheet

PE91413

#### Features

- Precision Controlled Impedance
- Controlled Electrical Length
- Ultra Low VSWR
- Replaces Existing Calibrating Kit Components
- Serial Numbers on Shorts, Opens and Loads
- In Stock and Ready to Ship

#### Applications

- Vector Network Analyzer Calibration
- SOLT or OSLT Calibration
- Device Characterization
- De-embedding
- Precision Calibrating Kits

#### Description

Pasternack's PE91413 2.92mm female to male precision thru is part of our full line of RF components available for same-day shipping. This 2.92mm, precision thru is suitable for calibrating on most network and site analyzers. The controlled impedance and electrical length of this component support calibrations through the entire frequency range of the precision connector interface.

Our 2.92mm female to male precision thru datasheet, specifications and drawing with dimensions are shown below in this PDF. Pasternack's broad catalog of RF, microwave and millimeter wave components allow designers to configure and customize their test solutions however they like. Whether the need is to provide precise SOLT / OSLT network analyzer calibrations or calibration kit replacement, Pasternack can ship you the right components same day.

#### Electrical Specifications

Description	Minimum	Typical	Maximum	Units
Frequency Range	DC		40	GHz
Impedance		50		Ohms
VSWR			1.12:1	
Electrical Delay		58.2		ps

#### Specifications by Frequency

Description	F1	F2	F3	F4	F5	Units
Frequency Range	DC to 4	4 to 20	20 to 40			GHz
VSWR, Max	1.05:1	1.08:1	1.12:1			

Electrical Specification Notes:  
 Values at 25° sea level.

Click the following link (or enter part number in "SEARCH" on website) to obtain additional part information including price, inventory and certifications: [2.92mm Female to Male Precision Calibration Kit Component Thru Operating from DC to 40 GHz PE91413](#)



## 2.92mm Female to Male Precision Calibration Kit Component Thru Operating from DC to 40 GHz

### Calibration Kits Components Technical Data Sheet

PE91413

#### Mechanical Specifications

##### Size

Length	0.84 in [21.34 mm]
Width/Diameter	0.5 in [12.7 mm]
Pin Depth	0 to 0.002 in

##### Connector 1

Connector Type	2.92mm Female
Body Material and Plating	Beryllium Copper, Gold

##### Connector 2

Connector Type	2.92mm Male
Connector Body Material and Plating	Beryllium Copper, Gold

#### Environmental Specifications

**Compliance Certifications** (see [product page](#) for current document)

#### Plotted and Other Data

Notes:

- Values at +25 °C, sea level

2.92mm Female to Male Precision Calibration Kit Component Thru Operating from DC to 40 GHz from Pasternack Enterprises has same day shipment for domestic and International orders. Our RF, microwave and millimeter wave products maintain a 99.4% availability and are part of the broadest selection in the industry.

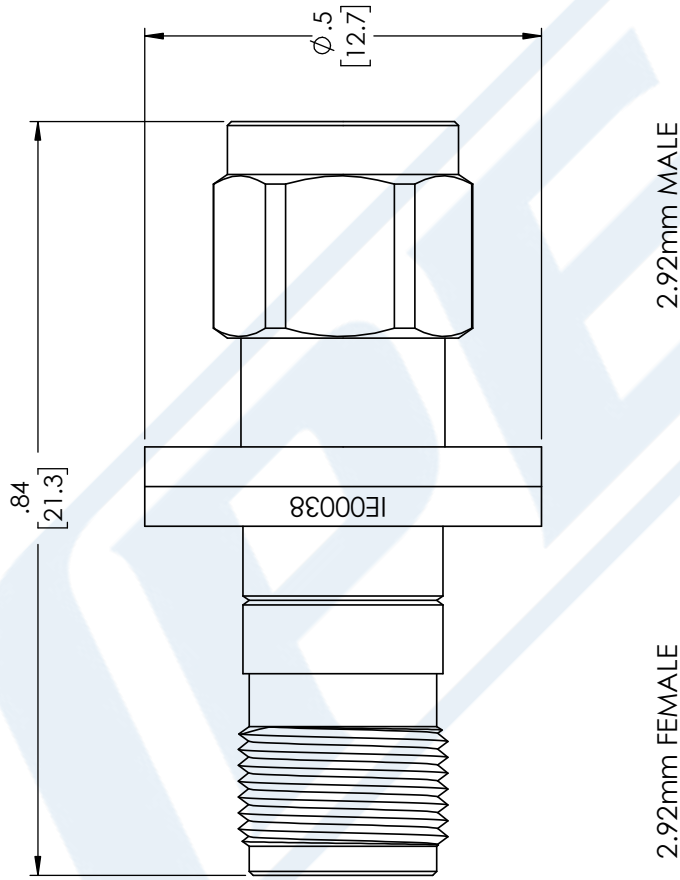
Click the following link (or enter part number in "SEARCH" on website) to obtain additional part information including price, inventory and certifications: [2.92mm Female to Male Precision Calibration Kit Component Thru Operating from DC to 40 GHz PE91413](#)

URL: <https://www.pasternack.com/2.92mm-female-calibration-kit-component-thru-40-ghz-pe91413-p.aspx>

The information contained in this document is accurate to the best of our knowledge and representative of the part described herein. It may be necessary to make modifications to the part and/or the documentation of the part, in order to implement improvements. Pasternack reserves the right to make such changes as required. Unless otherwise stated, all specifications are nominal. Pasternack does not make any representation or warranty regarding the suitability of the part described herein for any particular purpose, and Pasternack does not assume any liability arising out of the use of any part or documentation.

# PE91413 CAD Drawing

2.92mm Female to Male Precision Calibration Kit  
Component Thru Operating from DC to 40 GHz



**STANDARD TOLERANCES**

- .X ±0.2
- .XX ±0.01
- .XXX ±0.005

\*STANDARD TOLERANCES APPLY ONLY TO DIMENSIONS IN INCHES



Pasternack Enterprises, Inc.  
P.O. Box 16759 | Irvine | CA | 92623  
Phone: (949) 261-1920 | Fax: (949) 261-7451  
Website: www.pasternack.com | E-Mail: sales@pasternack.com

DWG TITLE

PE91413

**CAGE CODE 53919**

NOTES:  
1. UNLESS OTHERWISE SPECIFIED ALL DIMENSIONS ARE NOMINAL.  
2. ALL SPECIFICATIONS ARE SUBJECT TO CHANGE WITHOUT NOTICE AT ANY TIME.  
3. DIMENSIONS ARE IN INCHES [mm].

CAD FILE MIDDYY

SCALE N/A

SIZE A

CN2245