



3.5mm Female to Male Precision Calibration Kit Component Thru Operating from DC to 34 GHz

Calibration Kits Components Technical Data Sheet

PE91416

Features

- Precision Controlled Impedance
- Controlled Electrical Length
- Ultra Low VSWR
- Replaces Existing Calibrating Kit Components
- Serial Numbers on Shorts, Opens and Loads
- In Stock and Ready to Ship

Applications

- Vector Network Analyzer Calibration
- SOLT or OSLT Calibration
- Device Characterization
- De-embedding
- Precision Calibrating Kits

Description

Pasternack's PE91416 3.5mm female to male precision thru is part of our full line of RF components available for same-day shipping. This 3.5mm, precision thru is suitable for calibrating on most network and site analyzers. The controlled impedance and electrical length of this component support calibrations through the entire frequency range of the precision connector interface.

Our 3.5mm female to male precision thru datasheet, specifications and drawing with dimensions are shown below in this PDF. Pasternack's broad catalog of RF, microwave and millimeter wave components allow designers to configure and customize their test solutions however they like. Whether the need is to provide precise SOLT / OSLT network analyzer calibrations or calibration kit replacement, Pasternack can ship you the right components same day.

Electrical Specifications

Description	Minimum	Typical	Maximum	Units
Frequency Range	DC		34	GHz
Impedance		50		Ohms
VSWR			1.08:1	
Electrical Delay		59		ps

Specifications by Frequency

Description	F1	F2	F3	F4	F5	Units
Frequency Range	DC to 18	18 to 26.5				GHz
VSWR, Max	1.05:1	1.08:1				

Electrical Specification Notes:
 Values at 25° sea level.

Click the following link (or enter part number in "SEARCH" on website) to obtain additional part information including price, inventory and certifications: [3.5mm Female to Male Precision Calibration Kit Component Thru Operating from DC to 34 GHz PE91416](#)



3.5mm Female to Male Precision Calibration Kit Component Thru Operating from DC to 34 GHz

Calibration Kits Components Technical Data Sheet

PE91416

Mechanical Specifications

Size

Length	0.84 in [21.34 mm]
Width/Diameter	0.5 in [12.7 mm]
Pin Depth	0 to 0.003 in

Connector 1

Connector Type	3.5mm Female
Body Material and Plating	Beryllium Copper, Gold

Connector 2

Connector Type	3.5mm Male
Connector Body Material and Plating	Beryllium Copper, Gold

Environmental Specifications

Compliance Certifications (see [product page](#) for current document)

Plotted and Other Data

Notes:

- Values at +25 °C, sea level

3.5mm Female to Male Precision Calibration Kit Component Thru Operating from DC to 34 GHz from Pasternack Enterprises has same day shipment for domestic and International orders. Our RF, microwave and millimeter wave products maintain a 99.4% availability and are part of the broadest selection in the industry.

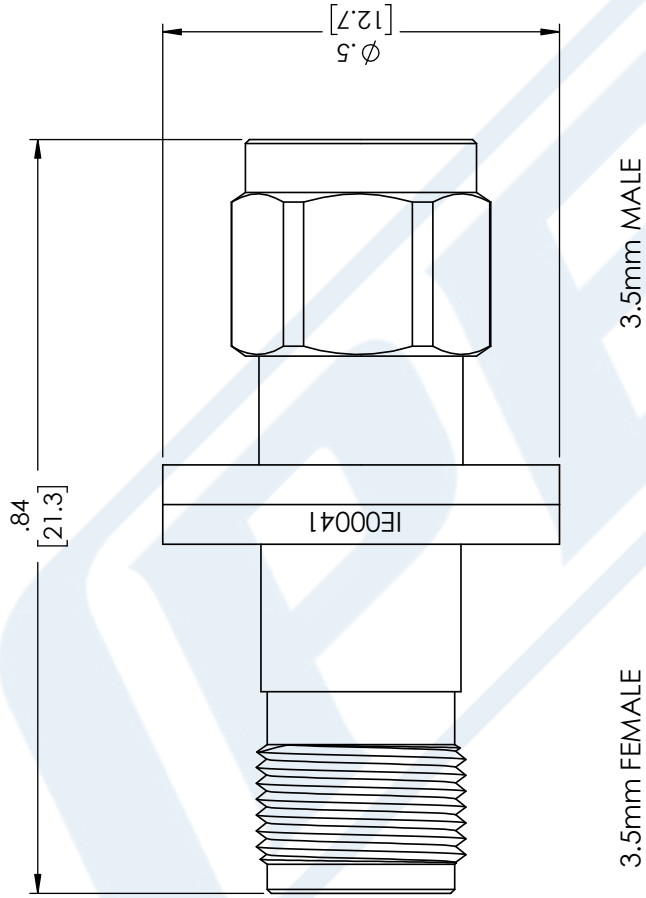
Click the following link (or enter part number in "SEARCH" on website) to obtain additional part information including price, inventory and certifications: [3.5mm Female to Male Precision Calibration Kit Component Thru Operating from DC to 34 GHz PE91416](#)

URL: <https://www.pasternack.com/3.5mm-female-calibration-kit-component-thru-34-ghz-pe91416-p.aspx>

The information contained in this document is accurate to the best of our knowledge and representative of the part described herein. It may be necessary to make modifications to the part and/or the documentation of the part, in order to implement improvements. Pasternack reserves the right to make such changes as required. Unless otherwise stated, all specifications are nominal. Pasternack does not make any representation or warranty regarding the suitability of the part described herein for any particular purpose, and Pasternack does not assume any liability arising out of the use of any part or documentation.

PE91416 CAD Drawing

3.5mm Female to Male Precision Calibration Kit Component
Thru Operating from DC to 34 GHz



STANDARD TOLERANCES	
.X	± 0.2
.XX	± 0.01
.XXX	± 0.005

*STANDARD TOLERANCES APPLY ONLY TO DIMENSIONS IN INCHES



Pasternack Enterprises, Inc.
P.O. Box 16759 | Irvine | CA | 92623
Phone: (949) 261-1920 | Fax: (949) 261-7451
Website: www.pasternack.com | E-Mail: sales@pasternack.com

DWG TITLE
PE91416

NOTES:
1. UNLESS OTHERWISE SPECIFIED ALL DIMENSIONS ARE NOMINAL.
2. ALL SPECIFICATIONS ARE SUBJECT TO CHANGE WITHOUT NOTICE AT ANY TIME.
3. DIMENSIONS ARE IN INCHES [mm].

CAGE CODE 53919

CAD FILE 01/24/18

SCALE N/A

SIZE A

CN2245