



## SSMC Plug to SSMC Jack Adapter

### RF Adapters Technical Data Sheet

PE91434

#### Configuration

- SSMC Plug Connector 1
- SSMC Jack Connector 2
- 50 Ohm
- Straight Body Geometry

#### Features

- Max VSWR of 1.25:1 up to 12 GHz
- SSMC interface compliant with MIL-STD-348
- Contact plating according to MIL-G-45204
- Gold Plated Beryllium Copper Contact

#### Applications

- Connector Saver
- General Purpose Test

#### Description

Pasternack's PE91434 SSMC plug to SSMC jack adapter is part of our full line of RF components available for same-day shipping. Our SSMC to SSMC adapter has a plug to jack gender configuration. PE91434 SSMC plug to SSMC jack adapter operates to 12 GHz. The Pasternack RF adapter provides excellent VSWR of 1.25:1 maximum. The PE91434 Pasternack RF adapter can also be used as a connector saver to extend equipment life.

RF adapters are often used to enable connections between two connector types that would otherwise not mate. Certain adapter configurations can also be used to protect connectors on expensive equipment where the number of connect/disconnect cycles is high. An RF, microwave or millimeter wave adapter is connected to the equipment, and the commonly changed connection is made with the adapter which can be easily replaced when it wears out after high usage; such adapters are referred to as connector savers. Pasternack also offers bulkhead, panel mount, hermetically sealed, reverse polarity, and isolated ground adapter varieties to serve all of your RF, microwave and millimeter wave needs.

#### Electrical Specifications

Description	Minimum	Typical	Maximum	Units
Frequency Range	DC		12	GHz
VSWR			1.25:1	

Electrical Specification Notes:  
 Values at 25°C, sea level

#### Mechanical Specifications

Size	
Length	0.57 in [14.48 mm]
Width	0.156 in [3.96 mm]
Weight	0.006 lbs [2.72 g]

Click the following link (or enter part number in "SEARCH" on website) to obtain additional part information including price, inventory and certifications: [SSMC Plug to SSMC Jack Adapter PE91434](#)



SSMC Plug to SSMC Jack Adapter

RF Adapters Technical Data Sheet

PE91434

Description	Connector 1	Connector 2
Type	SSMC Plug	SSMC Jack
Polarity	Standard	Standard
Interface Specification	MIL-STD-348	MIL-STD-348
Hex Size	5/32 inch	5/32 inch

**Material Specifications**

Description	Connector 1		Connector 2	
	Material	Plating	Material	Plating
Type	SSMC Plug		SSMC Jack	
Contact	Beryllium Copper	Gold MIL-G-45204	Beryllium Copper	Gold MIL-G-45204
Insulation	PTFE		PTFE	
Outer Conductor			Brass	Nickel
Body	Brass	Nickel	Brass	Nickel
Coupling Nut	Brass	Nickel		

**Environmental Specifications**

**Temperature**

Operating Range

-55 to +125 deg C

**Compliance Certifications** (see [product page](#) for current document)

**Plotted and Other Data**

Notes:

Click the following link (or enter part number in "SEARCH" on website) to obtain additional part information including price, inventory and certifications: [SSMC Plug to SSMC Jack Adapter PE91434](#)



## SSMC Plug to SSMC Jack Adapter

### RF Adapters Technical Data Sheet

PE91434

SSMC Plug to SSMC Jack Adapter from Pasternack Enterprises has same day shipment for domestic and International orders. Our RF, microwave and millimeter wave products maintain a 99.4% availability and are part of the broadest selection in the industry.

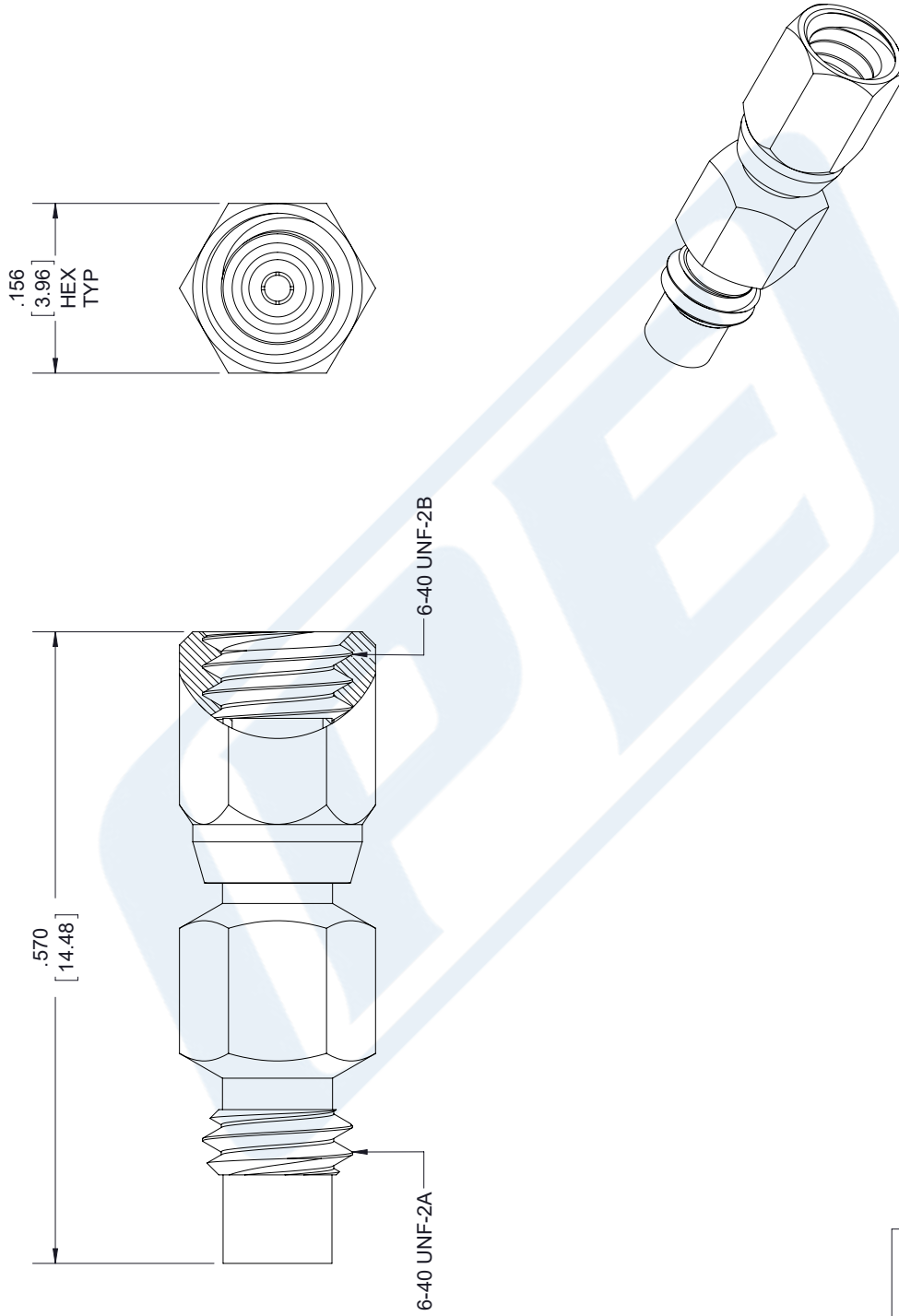
Click the following link (or enter part number in "SEARCH" on website) to obtain additional part information including price, inventory and certifications: [SSMC Plug to SSMC Jack Adapter PE91434](https://www.pasternack.com/ssmc-plug-ssmc-jack-straight-adapter-pe91434-p.aspx)

URL: <https://www.pasternack.com/ssmc-plug-ssmc-jack-straight-adapter-pe91434-p.aspx>

The information contained in this document is accurate to the best of our knowledge and representative of the part described herein. It may be necessary to make modifications to the part and/or the documentation of the part, in order to implement improvements. Pasternack reserves the right to make such changes as required. Unless otherwise stated, all specifications are nominal. Pasternack does not make any representation or warranty regarding the suitability of the part described herein for any particular purpose, and Pasternack does not assume any liability arising out of the use of any part or documentation.

# PE91434 CAD Drawing

## SSMC Plug to SSMC Jack Adapter



STANDARD TOLERANCES	
.X	±0.2
.XX	±0.01
.XXX	±0.005

\*STANDARD TOLERANCES APPLY ONLY TO DIMENSIONS IN INCHES



Pasternack Enterprises, Inc.  
 P.O. Box 16759 | Irvine | CA | 92623  
**Phone:** (949) 261-1920 | **Fax:** (949) 261-7451  
**Website:** [www.pasternack.com](http://www.pasternack.com) | **E-Mail:** [sales@pasternack.com](mailto:sales@pasternack.com)

DWG TITLE

PE91434

CAGE CODE 53919

NOTES:  
 1. UNLESS OTHERWISE SPECIFIED ALL DIMENSIONS ARE NOMINAL.  
 2. ALL SPECIFICATIONS ARE SUBJECT TO CHANGE WITHOUT NOTICE AT ANY TIME  
 3. DIMENSIONS ARE IN INCHES [mm].

CAD FILE 080717

SCALE N/A

SIZE A

9999