



SSMC Plug to SSMC Plug Adapter

RF Adapters Technical Data Sheet

PE91436

Configuration

- SSMC Plug Connector 1
- SSMC Plug Connector 2
- 50 Ohm
- Straight Body Geometry

Features

- Max VSWR of 1.25:1 up to 12 GHz
- Contact plating according to MIL-G-45204
- Gold Plated Brass Contact

Applications

- General Purpose Test

Description

Pasternack's PE91436 SSMC plug to SSMC plug adapter is part of our full line of RF components available for same-day shipping. Our SSMC to SSMC adapter has a plug to plug gender configuration. PE91436 SSMC plug to SSMC plug adapter operates to 12 GHz. The Pasternack RF adapter provides excellent VSWR of 1.25:1 maximum.

RF adapters are often used to enable connections between two connector types that would otherwise not mate. Certain adapter configurations can also be used to protect connectors on expensive equipment where the number of connect/disconnect cycles is high. An RF, microwave or millimeter wave adapter is connected to the equipment, and the commonly changed connection is made with the adapter which can be easily replaced when it wears out after high usage; such adapters are referred to as connector savers. Pasternack also offers bulkhead, panel mount, hermetically sealed, reverse polarity, and isolated ground adapter varieties to serve all of your RF, microwave and millimeter wave needs.

Electrical Specifications

Description	Minimum	Typical	Maximum	Units
Frequency Range	DC		12	GHz
VSWR			1.25:1	

Electrical Specification Notes:
Values at 25°C, sea level

Mechanical Specifications

Size	
Length	0.66 in [16.76 mm]
Width	0.156 in [3.96 mm]
Weight	0.0075 lbs [3.4 g]

Click the following link (or enter part number in "SEARCH" on website) to obtain additional part information including price, inventory and certifications: [SSMC Plug to SSMC Plug Adapter PE91436](#)



SSMC Plug to SSMC Plug Adapter

RF Adapters Technical Data Sheet

PE91436

Description	Connector 1	Connector 2
Type	SSMC Plug	SSMC Plug
Polarity	Standard	Standard
Hex Size	5/16 inch	5/16 inch

Material Specifications

Description	Connector 1		Connector 2	
	Material	Plating	Material	Plating
Type	SSMC Plug		SSMC Plug	
Contact	Brass	Gold MIL-G-45204	Brass	Gold MIL-G-45204
Body	Brass	Nickel	Brass	Nickel
Coupling Nut	Brass	Nickel	Brass	Nickel

Environmental Specifications

Temperature

Operating Range -55 to +120 deg C

Compliance Certifications (see [product page](#) for current document)

Plotted and Other Data

Notes:

Click the following link (or enter part number in "SEARCH" on website) to obtain additional part information including price, inventory and certifications: [SSMC Plug to SSMC Plug Adapter PE91436](#)



SSMC Plug to SSMC Plug Adapter

RF Adapters Technical Data Sheet

PE91436

SSMC Plug to SSMC Plug Adapter from Pasternack Enterprises has same day shipment for domestic and International orders. Our RF, microwave and millimeter wave products maintain a 99.4% availability and are part of the broadest selection in the industry.

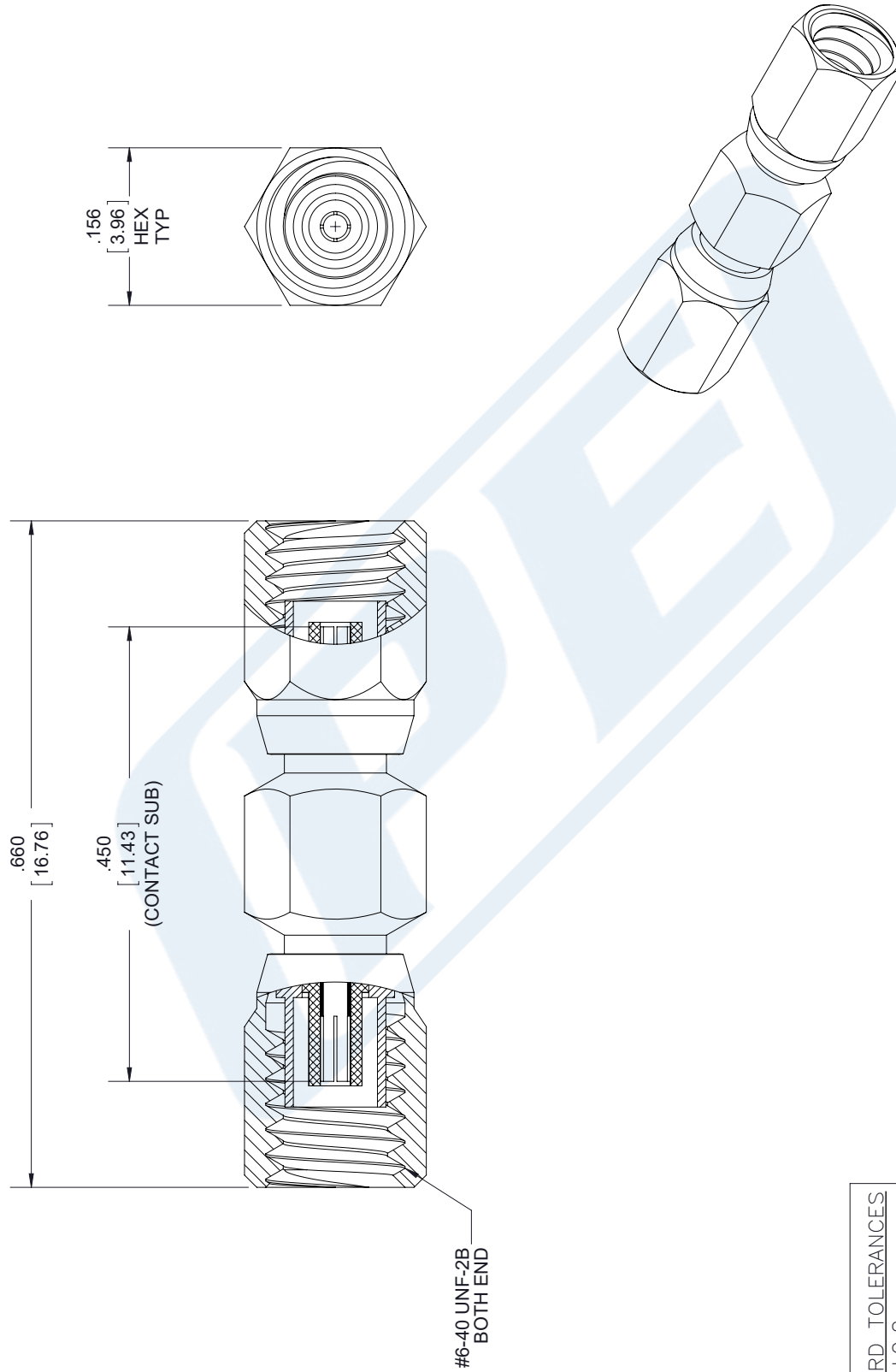
Click the following link (or enter part number in "SEARCH" on website) to obtain additional part information including price, inventory and certifications: [SSMC Plug to SSMC Plug Adapter PE91436](https://www.pasternack.com/ssmc-plug-ssmc-plug-straight-adapter-pe91436-p.aspx)

URL: <https://www.pasternack.com/ssmc-plug-ssmc-plug-straight-adapter-pe91436-p.aspx>

The information contained in this document is accurate to the best of our knowledge and representative of the part described herein. It may be necessary to make modifications to the part and/or the documentation of the part, in order to implement improvements. Pasternack reserves the right to make such changes as required. Unless otherwise stated, all specifications are nominal. Pasternack does not make any representation or warranty regarding the suitability of the part described herein for any particular purpose, and Pasternack does not assume any liability arising out of the use of any part or documentation.

PE91436 CAD Drawing

SSMC Plug to SSMC Plug Adapter



STANDARD TOLERANCES

.X ±0.2
 .XX ±0.01
 .XXX ±0.005

*STANDARD TOLERANCES APPLY ONLY TO DIMENSIONS IN INCHES



Pasternack Enterprises, Inc.
 P.O. Box 16759 | Irvine | CA | 92623
Phone: (949) 261-1920 | **Fax:** (949) 261-7451
Website: www.pasternack.com | **E-Mail:** sales@pasternack.com

DWG TITLE

PE91436

CAGE CODE 53919

NOTES:
 1. UNLESS OTHERWISE SPECIFIED ALL DIMENSIONS ARE NOMINAL.
 2. ALL SPECIFICATIONS ARE SUBJECT TO CHANGE WITHOUT NOTICE AT ANY TIME
 3. DIMENSIONS ARE IN INCHES [mm].

CAD FILE 080717

SCALE N/A

SIZE A

9999