



## Low PIM QD 4.3-10 Female to N Female Adapter

### RF Adapters Technical Data Sheet

PE91482

#### Configuration

- QD 4.3-10 Female Connector 1
- N Female Connector 2
- 50 Ohm
- Low PIM Design
- Straight Body Geometry

#### Features

- Max VSWR of 1.25:1 up to 6 GHz
- PIM levels lower than -160 dBc
- Silver Plated Beryllium Copper Contact
- Quick Disconnect (QD) on the 4.3-10 Interface

#### Applications

- Allows Connection Between Series
- General Purpose Test
- Low PIM Applications
- Mobile Communications Systems
- Base Stations
- Distributed Antenna Systems (DAS)
- Small Cells
- Feeder Cables

#### Description

Pasternack's PE91482 QD 4.3-10 female to type N female adapter is part of our full line of RF components available for same-day shipping. Our 4.3-10 to type N adapter has a female to female gender configuration in a low PIM design. PE91482 4.3-10 female to type N female adapter operates to 6 GHz. The Pasternack RF adapter provides excellent VSWR of 1.25:1 maximum and passive intermodulation of -160 dBc maximum.

RF adapters are often used to enable connections between two connector types that would otherwise not mate. Certain adapter configurations can also be used to protect connectors on expensive equipment where the number of connect/disconnect cycles is high. An RF, microwave or millimeter wave adapter is connected to the equipment, and the commonly changed connection is made with the adapter which can be easily replaced when it wears out after high usage; such adapters are referred to as connector savers. Pasternack also offers bulkhead, panel mount, hermetically sealed, reverse polarity, and isolated ground adapter varieties to serve all of your RF, microwave and millimeter wave needs.

#### Electrical Specifications

Description	Minimum	Typical	Maximum	Units
Frequency Range	DC		6	GHz
VSWR			1.25:1	
Passive Intermodulation			-160	dBc
Insulation Resistance	5,000			MOhms

Electrical Specification Notes:  
Values at 25° C, sea level.

Click the following link (or enter part number in "SEARCH" on website) to obtain additional part information including price, inventory and certifications: [Low PIM QD 4.3-10 Female to N Female Adapter PE91482](#)



Low PIM QD 4.3-10 Female to N Female Adapter

RF Adapters Technical Data Sheet

PE91482

**Mechanical Specifications**

**Size**

Description	Connector 1	Connector 2
Type	4.3-10 Female	N Female
Polarity	Standard	Standard
Mating Cycles	500	500

**Material Specifications**

Description	Connector 1		Connector 2	
	Material	Plating	Material	Plating
Type	QD 4.3-10 Female		N Female	
Contact	Beryllium Copper	Silver	Beryllium Copper	Silver
Insulation	PTFE		PTFE	
Outer Conductor	Bronze	Tri-Metal	Bronze	Tri-Metal
Body	Brass	Tri-Metal	Brass	Tri-Metal

**Environmental Specifications**

**Temperature**

Operating Range -55 to +120 deg C

**Compliance Certifications** (see [product page](#) for current document)

**Plotted and Other Data**

Notes:

Click the following link (or enter part number in "SEARCH" on website) to obtain additional part information including price, inventory and certifications: [Low PIM QD 4.3-10 Female to N Female Adapter PE91482](#)



## Low PIM QD 4.3-10 Female to N Female Adapter

### RF Adapters Technical Data Sheet

PE91482

Low PIM QD 4.3-10 Female to N Female Adapter from Pasternack Enterprises has same day shipment for domestic and International orders. Our RF, microwave and millimeter wave products maintain a 99.4% availability and are part of the broadest selection in the industry.

Click the following link (or enter part number in "SEARCH" on website) to obtain additional part information including price, inventory and certifications: [Low PIM QD 4.3-10 Female to N Female Adapter PE91482](https://www.pasternack.com/4.3-10-female-n-female-straight-adapter-pe91482-p.aspx)

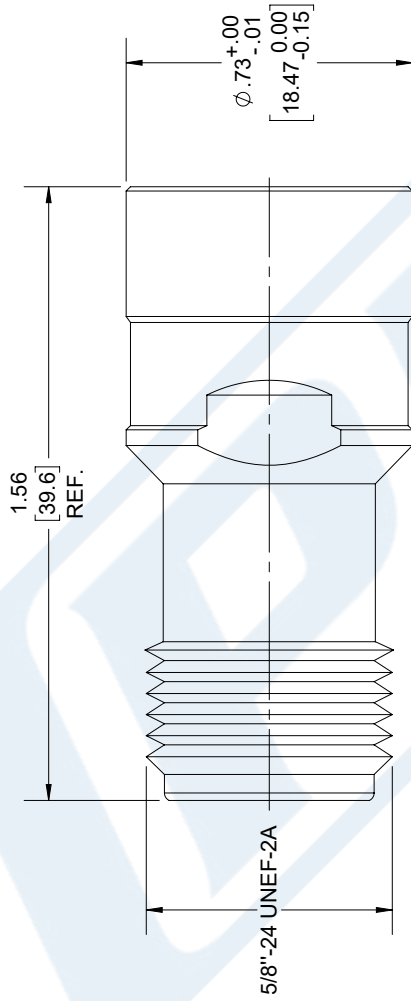
URL: <https://www.pasternack.com/4.3-10-female-n-female-straight-adapter-pe91482-p.aspx>

The information contained in this document is accurate to the best of our knowledge and representative of the part described herein. It may be necessary to make modifications to the part and/or the documentation of the part, in order to implement improvements. Pasternack reserves the right to make such changes as required. Unless otherwise stated, all specifications are nominal. Pasternack does not make any representation or warranty regarding the suitability of the part described herein for any particular purpose, and Pasternack does not assume any liability arising out of the use of any part or documentation.

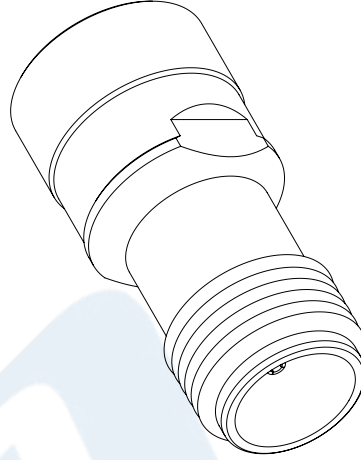
# PE91482 CAD Drawing

Low PIM QD 4.3-10 Female to N Female Adapter

REVISIONS			
REV.	DESCRIPTION	DATE	APPROVED
	INITIAL RELEASE	01/11/19	J.GARCIA



**N FEMALE**  
**QUICK DISCONNECT**  
**4.3-10 FEMALE**



UNLESS OTHERWISE SPECIFIED  
 LEADING DIMENSIONS ARE INCHES  
 DIMENSIONS IN [ ] ARE MILLIMETERS

TOLERANCES:  
 X±.2 [5.08]  
 .XX±.01 [.25]  
 .XXX±.005 [.13]

FRACTIONS  
 ±.132  
 ANGLES ± 1°

ALL DIMENSIONS SHOWN  
 ARE FOR REFERENCE ONLY.

THIRD-ANGLE PROJECTION

**PE PASTERNAK**  
 an INFINITO brand

Pasternack Enterprises, Inc.  
 P.O. Box 16759, Irvine, CA 92623.  
 Phone: 1.949.261.1920 | 1.866.727.8376  
 Fax: 1.949.261.7451  
 www.pasternack.com | e-mail: sales@pasternack.com

SIZE [A] CAGE [53919] DRAWN BY [G.HUAN] PART NUMBER [PE91482] REV [A]

THE INFORMATION AND  
 DESIGN IN THIS DOCUMENT  
 IS THE PROPERTY OF  
 PASTERNAK CORPORATION.  
 ALL RIGHTS RESERVED.

SHEET 1 OF 1  
 SCALE N/A

THESE COMMODITIES, TECHNOLOGY OR SOFTWARE WERE EXPORTED FROM THE UNITED STATES IN ACCORDANCE WITH THE EXPORT ADMINISTRATION REGULATIONS. DIVERSION CONTRARY TO U.S. LAW PROHIBITED.