



UHF Male to UHF Male Adapter

RF Adapters Technical Data Sheet

PE91487

Configuration

- UHF Male Connector 1
- UHF Male Connector 2
- 50 Ohm
- Straight Body Geometry

Features

- Max VSWR of 1.3:1 up to 300 MHz
- Nickel Plated Brass Contact

Applications

- General Purpose Test

Description

Pasternack's PE91487 UHF male to UHF male adapter is part of our full line of RF components available for same-day shipping. Our UHF to UHF adapter has a male to male gender configuration. PE91487 UHF male to UHF male adapter operates to 300 MHz. The Pasternack RF adapter provides good VSWR of 1.3:1 maximum.

RF adapters are often used to enable connections between two connector types that would otherwise not mate. Certain adapter configurations can also be used to protect connectors on expensive equipment where the number of connect/disconnect cycles is high. An RF, microwave or millimeter wave adapter is connected to the equipment, and the commonly changed connection is made with the adapter which can be easily replaced when it wears out after high usage; such adapters are referred to as connector savers. Pasternack also offers bulkhead, panel mount, hermetically sealed, reverse polarity, and isolated ground adapter varieties to serve all of your RF, microwave and millimeter wave needs.

Electrical Specifications

Description	Minimum	Typical	Maximum	Units
Frequency Range	DC		300	MHz
VSWR			1.3:1	
Operating Voltage (AC)			500	Vrms
Dielectric Withstanding Voltage (AC)			1,500	Vrms
Inner Conductor DC Resistance			3	mOhms
Outer Conductor DC Resistance			2	mOhms
Insulation Resistance	5,000			MOhms

Mechanical Specifications

Size

Length	1.22 in [30.99 mm]
Width	0.71 in [18.03 mm]
Height	0.71 in [18.03 mm]
Weight	0.0466 lbs [21.14 g]

Click the following link (or enter part number in "SEARCH" on website) to obtain additional part information including price, inventory and certifications: [UHF Male to UHF Male Adapter PE91487](#)



UHF Male to UHF Male Adapter

RF Adapters Technical Data Sheet

PE91487

Description	Connector 1	Connector 2
Type	UHF Male	UHF Male
Polarity	Standard	Standard
Mating Cycles	500	500

Material Specifications

Description	Connector 1		Connector 2	
	Material	Plating	Material	Plating
Type	UHF Male		UHF Male	
Contact	Brass	Nickel	Brass	Nickel
Insulation	POM		POM	
Body	Brass	Nickel	Brass	Nickel
Coupling Nut	Brass	Nickel	Brass	Nickel

Environmental Specifications

Temperature

Operating Range -40 to +60 deg C

Vibration

MIL-STD-202. Method 204, Condition D

Salt Spray

MIL-STD-202. Method 101, Condition B

Compliance Certifications (see [product page](#) for current document)

Plotted and Other Data

Notes:

Click the following link (or enter part number in "SEARCH" on website) to obtain additional part information including price, inventory and certifications: [UHF Male to UHF Male Adapter PE91487](#)



UHF Male to UHF Male Adapter

RF Adapters Technical Data Sheet

PE91487

UHF Male to UHF Male Adapter from Pasternack Enterprises has same day shipment for domestic and International orders. Our RF, microwave and millimeter wave products maintain a 99.4% availability and are part of the broadest selection in the industry.

Click the following link (or enter part number in "SEARCH" on website) to obtain additional part information including price, inventory and certifications: [UHF Male to UHF Male Adapter PE91487](https://www.pasternack.com/uhf-male-uhf-male-straight-adapter-pe91487-p.aspx)

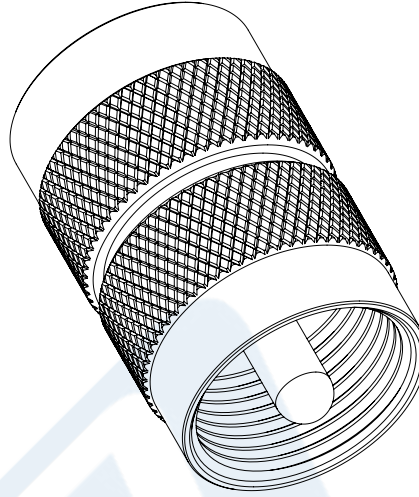
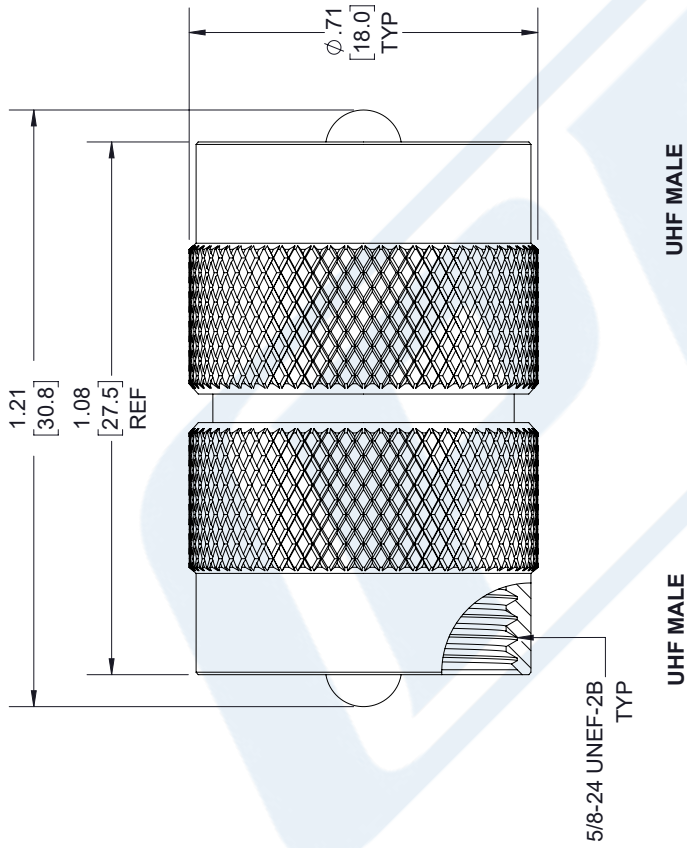
URL: <https://www.pasternack.com/uhf-male-uhf-male-straight-adapter-pe91487-p.aspx>

The information contained in this document is accurate to the best of our knowledge and representative of the part described herein. It may be necessary to make modifications to the part and/or the documentation of the part, in order to implement improvements. Pasternack reserves the right to make such changes as required. Unless otherwise stated, all specifications are nominal. Pasternack does not make any representation or warranty regarding the suitability of the part described herein for any particular purpose, and Pasternack does not assume any liability arising out of the use of any part or documentation.

PE91487 CAD Drawing

UHF Male to UHF Male Adapter

REVISIONS		
REV.	DESCRIPTION	DATE
A	INITIAL RELEASE	01/16/19
		APPROVED
		J.GARCIA



UNLESS OTHERWISE SPECIFIED LEADING DIMENSIONS ARE INCHES DIMENSIONS IN [] ARE MILLIMETERS	
TOLERANCES:	FRACTIONS
X±.2 [5.08]	±.132
.XX±.01 [.25]	ANGLES ± 1°
.XXX±.005 [.13]	
ALL DIMENSIONS SHOWN ARE FOR REFERENCE ONLY.	
THIRD-ANGLE PROJECTION	

PE PASTERNAK an INFINITO brand	
Pasternack Enterprises, Inc. P.O. Box 16759, Irvine, CA 92623. Phone: 1,949,261,1920 1,866,727,8376 Fax: 1,949,261,7451 www.pasternack.com e-mail: sales@pasternack.com	
SIZE	A
CAGE	53919
DRAWN BY	KDANG
PART NUMBER	PE91487
REV	A

THE INFORMATION AND DESIGN IN THIS DOCUMENT IS THE PROPERTY OF PASTERNAK CORPORATION. ALL RIGHTS RESERVED.	
SHEET	1 OF 1
SCALE	N/A

THESE COMMODITIES, TECHNOLOGY OR SOFTWARE WERE EXPORTED FROM THE UNITED STATES IN ACCORDANCE WITH THE EXPORT ADMINISTRATION REGULATIONS. DIVERSION CONTRARY TO U.S. LAW PROHIBITED.