



SMA Male to SMA Female Radius Right Angle
Gold Plated Stainless Steel Adapter

RF Adapters Technical Data Sheet

PE91493

Configuration

- SMA Male Connector 1
- SMA Female Connector 2
- 50 Ohm
- Radius Right Angle Body Geometry

Features

- Max VSWR of 1.2:1 up to 18 GHz
- 30 pin contact plating
- Gold Plated Beryllium Copper Contact

Applications

- General Purpose Test

Description

Pasternack's PE91493 SMA male to SMA female radius right angle adapter is part of our full line of RF components available for same-day shipping. The SMA connector mates mechanically with commercially available 3.5mm and 2.92mm (K) connectors. Our SMA to SMA adapter has a male to female gender configuration built of durable stainless steel. PE91493 SMA male to SMA female adapter is gold plated and operates to 18 GHz. The Pasternack RF adapter provides excellent VSWR of 1.2:1 maximum. This radius right angle SMA to SMA adapter allows for easier connections in tight spaces.

RF adapters are often used to enable connections between two connector types that would otherwise not mate. Certain adapter configurations can also be used to protect connectors on expensive equipment where the number of connect/disconnect cycles is high. An RF, microwave or millimeter wave adapter is connected to the equipment, and the commonly changed connection is made with the adapter which can be easily replaced when it wears out after high usage; such adapters are referred to as connector savers. Pasternack also offers bulkhead, panel mount, hermetically sealed, reverse polarity, and isolated ground adapter varieties to serve all of your RF, microwave and millimeter wave needs.

Electrical Specifications

Description	Minimum	Typical	Maximum	Units
Frequency Range	DC		18	GHz
VSWR			1.2:1	

Electrical Specification Notes:
Values at 25°C, sea level.

Mechanical Specifications

Size	
Length	0.6 in [15.24 mm]
Width	0.3 in [7.62 mm]
Height	0.5 in [12.7 mm]

Click the following link (or enter part number in "SEARCH" on website) to obtain additional part information including price, inventory and certifications: [SMA Male to SMA Female Radius Right Angle Gold Plated Stainless Steel Adapter PE91493](#)



SMA Male to SMA Female Radius Right Angle
Gold Plated Stainless Steel Adapter

RF Adapters Technical Data Sheet

PE91493

Description	Connector 1	Connector 2
Type	SMA Male	SMA Female
Polarity	Standard	Standard

Material Specifications

Description	Connector 1		Connector 2	
	Material	Plating	Material	Plating
Type	SMA Male		SMA Female	
Contact	Beryllium Copper	Gold 30 μin	Beryllium Copper	Gold 30 μin
Insulation	PTFE		PTFE	
Outer Conductor			Stainless Steel	Gold 3 μin
Body	Stainless Steel	Gold 3 μin	Stainless Steel	Gold 30 μin
Gasket	Silicone Rubber		Silicone Rubber	
Coupling Nut	Stainless Steel	Gold 3 μin		

Environmental Specifications

Temperature

Operating Range -55 to +125 °C

Compliance Certifications (see [product page](#) for current document)

Plotted and Other Data

Notes:

Click the following link (or enter part number in "SEARCH" on website) to obtain additional part information including price, inventory and certifications: [SMA Male to SMA Female Radius Right Angle Gold Plated Stainless Steel Adapter PE91493](#)



SMA Male to SMA Female Radius Right Angle Gold Plated Stainless Steel Adapter

RF Adapters Technical Data Sheet

PE91493

SMA Male to SMA Female Radius Right Angle Gold Plated Stainless Steel Adapter from Pasternack Enterprises has same day shipment for domestic and International orders. Our RF, microwave and millimeter wave products maintain a 99.4% availability and are part of the broadest selection in the industry.

Click the following link (or enter part number in "SEARCH" on website) to obtain additional part information including price, inventory and certifications: [SMA Male to SMA Female Radius Right Angle Gold Plated Stainless Steel Adapter PE91493](https://www.pasternack.com/sma-male-sma-female-radius-right-angle-adapter-pe91493-p.aspx)

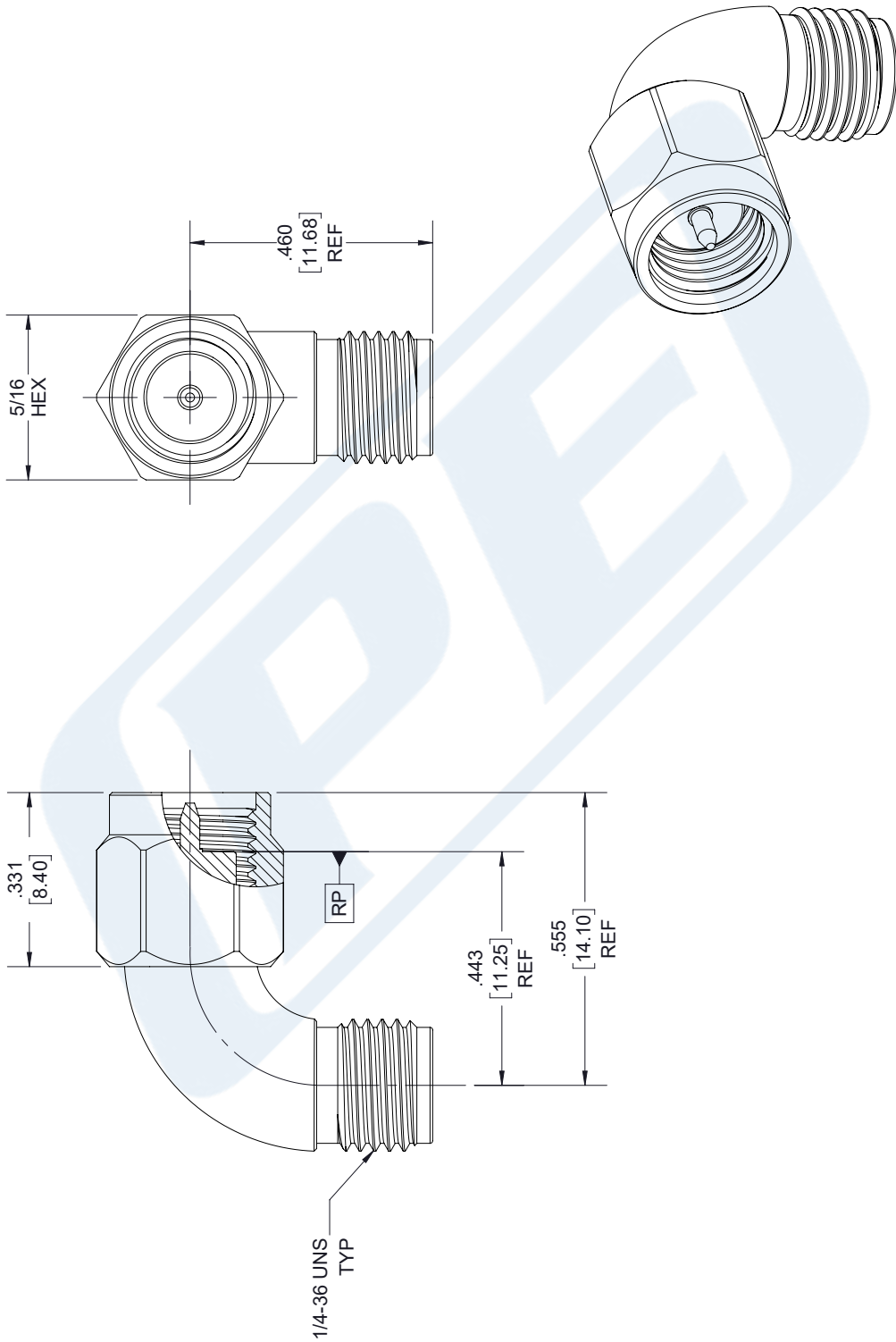
URL: <https://www.pasternack.com/sma-male-sma-female-radius-right-angle-adapter-pe91493-p.aspx>

The information contained in this document is accurate to the best of our knowledge and representative of the part described herein. It may be necessary to make modifications to the part and/or the documentation of the part, in order to implement improvements. Pasternack reserves the right to make such changes as required. Unless otherwise stated, all specifications are nominal. Pasternack does not make any representation or warranty regarding the suitability of the part described herein for any particular purpose, and Pasternack does not assume any liability arising out of the use of any part or documentation.

PE91493 CAD Drawing

SMA Male to SMA Female Radius Right Angle Gold Plated Stainless Steel Adapter

REVISIONS		
REV.	DESCRIPTION	DATE
A	INITIAL RELEASE	03/18/19
		APPROVED
		S. ELLIS



<p>UNLESS OTHERWISE SPECIFIED LEADING DIMENSIONS ARE INCHES DIMENSIONS IN [] ARE MILLIMETERS</p> <p>TOLERANCES: X±.2 [5.08] FRACTIONS .XX±.01 [.25] ±.132 .XXX±.005 [.13] ANGLES ± 1°</p> <p>ALL DIMENSIONS SHOWN ARE FOR REFERENCE ONLY.</p> <p>THIRD-ANGLE PROJECTION</p>	<p>PE PASTERNAK an INFINITO brand</p> <p>Pasternack Enterprises, Inc. P.O. Box 16759, Irvine, CA 92623. Phone: 1.949.261.1920 1.866.727.8376 Fax: 1.949.261.7451 www.pasternack.com e-mail: sales@pasternack.com</p>	<p>THE INFORMATION AND DESIGN IN THIS DOCUMENT IS THE PROPERTY OF PASTERNAK CORPORATION. ALL RIGHTS RESERVED.</p>
		<p>SHEET 1 OF 1</p> <p>SCALE N/A</p>
<p>SIZE A</p> <p>CAGE 53919</p> <p>DRAWN BY K.DANG</p>	<p>PART NUMBER PE91493</p> <p>REV A</p>	

THESE COMMODITIES, TECHNOLOGY OR SOFTWARE WERE EXPORTED FROM THE UNITED STATES IN ACCORDANCE WITH THE EXPORT ADMINISTRATION REGULATIONS. DIVERSION CONTRARY TO U.S. LAW PROHIBITED.