



1.85mm Male to 2.4mm Female Miter Right Angle Adapter

RF Adapters Technical Data Sheet

PE91511

Configuration

- 1.85mm Male Connector 1
- 2.4mm Female Connector 2
- 50 Ohm
- Miter Right Angle Body Geometry

Features

- Max VSWR of 1.35:1 up to 50 GHz
- 4 μin. Minimum contact plating
- Gold over Nickel Plated Beryllium Copper Contact

Applications

- Allows Connection Between Series
- General Purpose Test

Description

Pasternack's PE91511 1.85mm male to 2.4mm female miter right angle adapter is part of our full line of RF components available for same-day shipping. The 1.85mm connector mates mechanically with commercially available 2.4mm connectors. Our 1.85mm to 2.4mm adapter has a male to female gender configuration built of durable stainless steel. PE91511 1.85mm male to 2.4mm female adapter operates to 50 GHz. The Pasternack RF adapter provides good VSWR of 1.35:1 maximum. This miter right angle 1.85mm to 2.4mm adapter allows for easier connections in tight spaces.

RF adapters are often used to enable connections between two connector types that would otherwise not mate. Certain adapter configurations can also be used to protect connectors on expensive equipment where the number of connect/disconnect cycles is high. An RF, microwave or millimeter wave adapter is connected to the equipment, and the commonly changed connection is made with the adapter which can be easily replaced when it wears out after high usage; such adapters are referred to as connector savers. Pasternack also offers bulkhead, panel mount, hermetically sealed, reverse polarity, and isolated ground adapter varieties to serve all of your RF, microwave and millimeter wave needs.

Electrical Specifications

Description	Minimum	Typical	Maximum	Units
Frequency Range	DC		50	GHz
VSWR			1.35:1	

Electrical Specification Notes:
Values at 25°C, sea level.
Insertion Loss = 0.05*sqrt(fGHz) dB.

Mechanical Specifications

Size	
Length	6.3 in [160.02 mm]
Height	6.5 in [165.1 mm]
Weight	0.0194 lbs [8.8 g]

Click the following link (or enter part number in "SEARCH" on website) to obtain additional part information including price, inventory and certifications: [1.85mm Male to 2.4mm Female Miter Right Angle Adapter PE91511](#)



1.85mm Male to 2.4mm Female Miter Right Angle Adapter

RF Adapters Technical Data Sheet

PE91511

Description	Connector 1	Connector 2
Type	1.85mm Male	2.4mm Female
Polarity	Standard	Standard
Hex Size	5/16 Inch	
Mating Torque	8 to 10 in-lbs [0.90 to 1.13 Nm]	

Material Specifications

Description	Connector 1		Connector 2	
	Material	Plating	Material	Plating
Type	1.85mm Male		2.4mm Female	
Contact	Beryllium Copper	Gold over Nickel 4 μin. Minimum	Beryllium Copper	Gold over Nickel 4 μin. Minimum
Insulation	Oxide-Noryl		Oxide-Noryl	
Outer Conductor			Passivated Stainless Steel	
Body	Passivated Stainless Steel		Passivated Stainless Steel	
Gasket	Silicone			
Coupling Nut	Passivated Stainless Steel			

Environmental Specifications

Temperature

Operating Range -40 to +105 °C

Compliance Certifications (see [product page](#) for current document)

Plotted and Other Data

Notes:

Click the following link (or enter part number in "SEARCH" on website) to obtain additional part information including price, inventory and certifications: [1.85mm Male to 2.4mm Female Miter Right Angle Adapter PE91511](#)

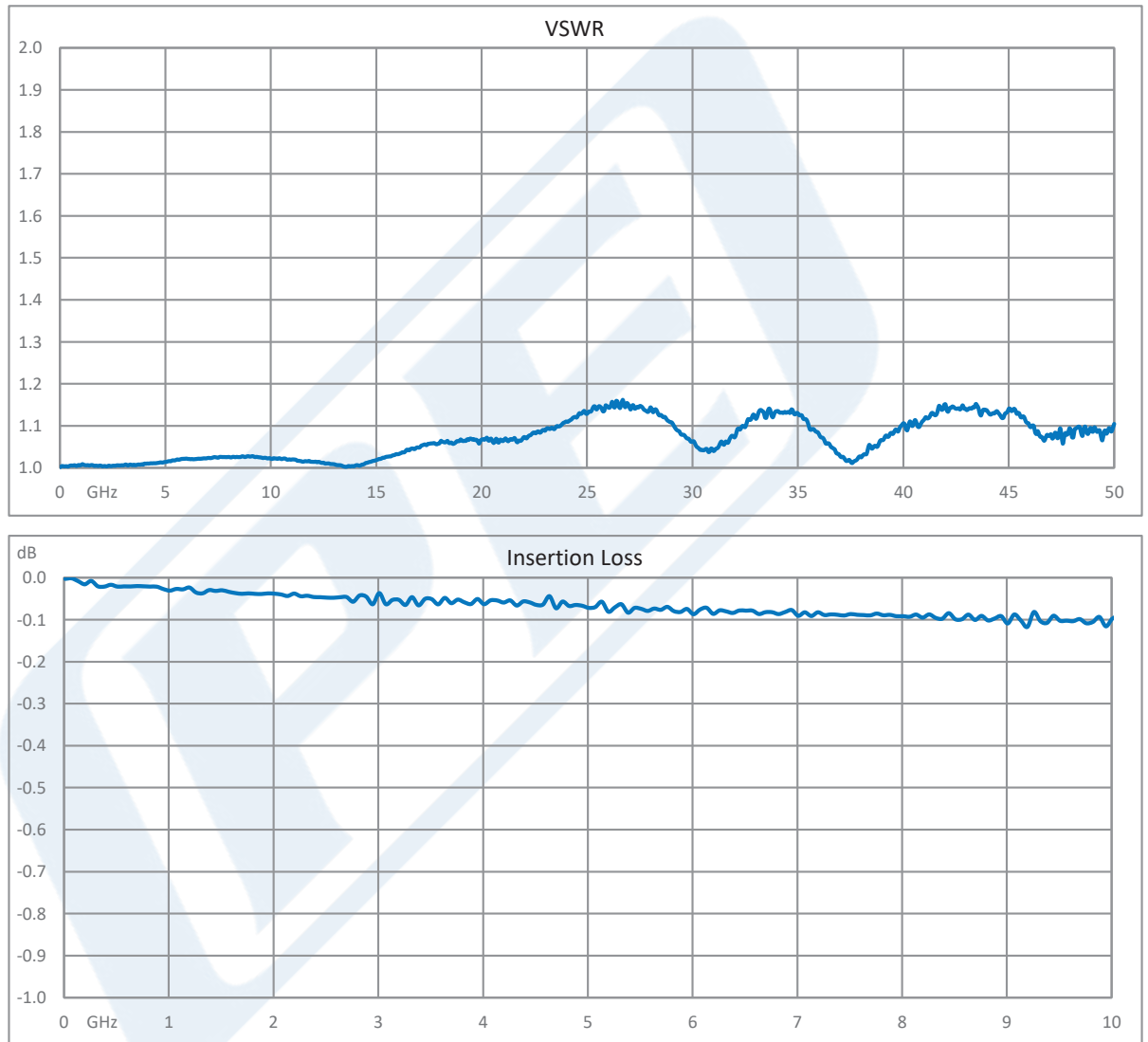


1.85mm Male to 2.4mm Female Miter Right Angle Adapter

RF Adapters Technical Data Sheet

PE91511

Typical Performance Data



Click the following link (or enter part number in "SEARCH" on website) to obtain additional part information including price, inventory and certifications: [1.85mm Male to 2.4mm Female Miter Right Angle Adapter PE91511](#)



1.85mm Male to 2.4mm Female Miter Right Angle Adapter

RF Adapters Technical Data Sheet

PE91511

1.85mm Male to 2.4mm Female Miter Right Angle Adapter from Pasternack Enterprises has same day shipment for domestic and International orders. Our RF, microwave and millimeter wave products maintain a 99.4% availability and are part of the broadest selection in the industry.

Click the following link (or enter part number in "SEARCH" on website) to obtain additional part information including price, inventory and certifications: [1.85mm Male to 2.4mm Female Miter Right Angle Adapter PE91511](https://www.pasternack.com/1.85mm-male-2.4mm-female-miter-right-angle-adapter-pe91511-p.aspx)

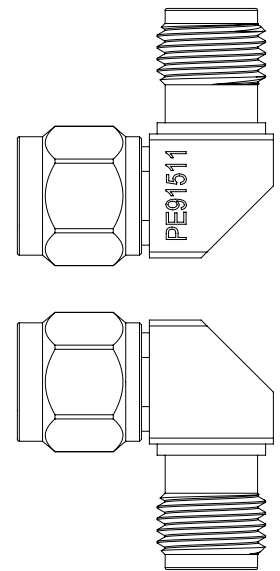
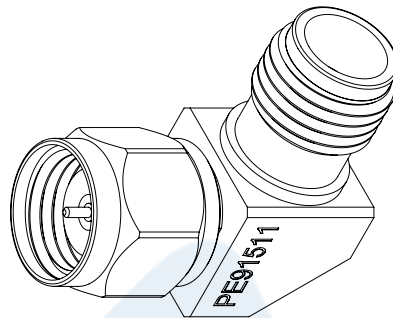
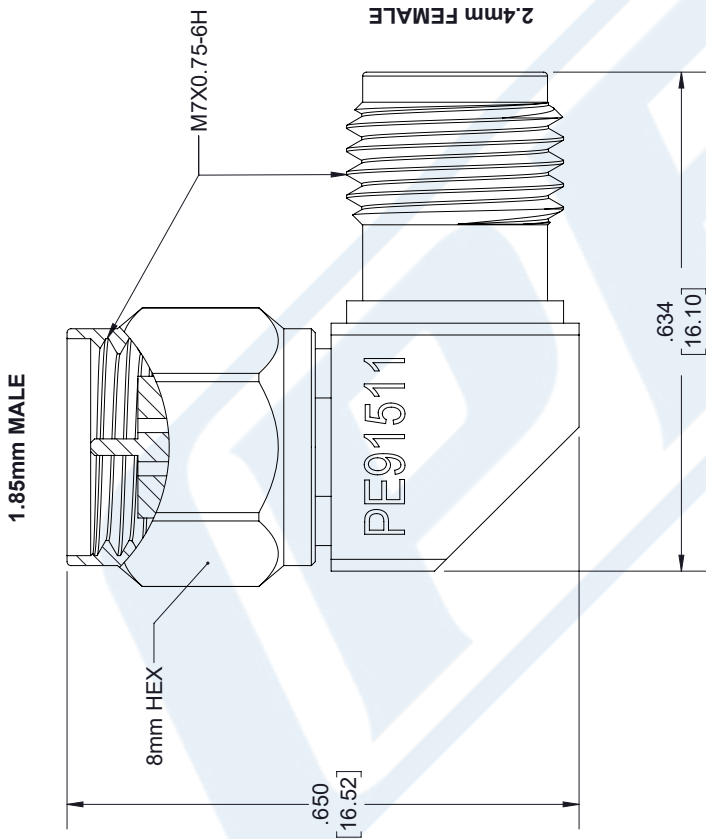
URL: <https://www.pasternack.com/1.85mm-male-2.4mm-female-miter-right-angle-adapter-pe91511-p.aspx>

The information contained in this document is accurate to the best of our knowledge and representative of the part described herein. It may be necessary to make modifications to the part and/or the documentation of the part, in order to implement improvements. Pasternack reserves the right to make such changes as required. Unless otherwise stated, all specifications are nominal. Pasternack does not make any representation or warranty regarding the suitability of the part described herein for any particular purpose, and Pasternack does not assume any liability arising out of the use of any part or documentation.

PE91511 CAD Drawing

1.85mm Male to 2.4mm Female Miter Right Angle Adapter

REVISIONS		
REV.	DESCRIPTION	DATE
A	INITIAL RELEASE	06/18/19
		APPROVED
		S. ELLIS



UNLESS OTHERWISE SPECIFIED
LEADING DIMENSIONS ARE INCHES
DIMENSIONS IN [] ARE MILLIMETERS

TOLERANCES:
X±.2 [5.08] FRACTIONS
.XX±.01 [.25] ±.132
.XXX±.005 [.13] ANGLES ± 1°

ALL DIMENSIONS SHOWN
ARE FOR REFERENCE ONLY.

THIRD-ANGLE PROJECTION

PE PASTERNAK
an INFINITO brand

Pasternack Enterprises, Inc.
P.O. Box 16759, Irvine, CA 92623.
Phone: 1.949.261.1920 | 1.866.727.8376
Fax: 1.949.261.7451
www.pasternack.com | e-mail: sales@pasternack.com

SIZE [CAGE] DRAWN BY PART NUMBER REV
A 53919 K.DANG PE91511 A

THE INFORMATION AND
DESIGN IN THIS DOCUMENT
IS THE PROPERTY OF
PASTERNAK CORPORATION.
ALL RIGHTS RESERVED.

SHEET 1 OF 1
SCALE N/A

THESE COMMODITIES, TECHNOLOGY OR SOFTWARE WERE EXPORTED FROM THE UNITED STATES IN ACCORDANCE WITH THE EXPORT ADMINISTRATION REGULATIONS. DIVERSION CONTRARY TO U.S. LAW PROHIBITED.