



50 Ohm BNC Female to 75 Ohm F Female Adapter

RF Adapters Technical Data Sheet

PE9153

Configuration

- BNC Female Connector 1
- F Female Connector 2
- 50 Ohms, 75 Ohms
- Straight Body Geometry

Features

- Gold Plated Brass Contact

Applications

- Allows Connection Between Series
- General Purpose Test

Description

Pasternack's PE9153 50 ohm BNC female to 75 ohm type F female adapter is part of our full line of RF components available for same-day shipping.

RF adapters are often used to enable connections between two connector types that would otherwise not mate. Certain adapter configurations can also be used to protect connectors on expensive equipment where the number of connect/disconnect cycles is high. An RF, microwave or millimeter wave adapter is connected to the equipment, and the commonly changed connection is made with the adapter which can be easily replaced when it wears out after high usage; such adapters are referred to as connector savers. Pasternack also offers bulkhead, panel mount, hermetically sealed, reverse polarity, and isolated ground adapter varieties to serve all of your RF, microwave and millimeter wave needs.

Mechanical Specifications

Size

| | |
|--------|--------------------|
| Length | 1.06 in [26.92 mm] |
| Width | 0.43 in [10.92 mm] |
| Weight | 0.02 lbs [9.07 g] |

| Description | Connector 1 | Connector 2 |
|-------------|-------------|-------------|
| Type | BNC Female | F Female |
| Polarity | Standard | Standard |

Material Specifications

| Description | Connector 1 | | Connector 2 | |
|-----------------|-------------|---------|-------------|---------|
| | Material | Plating | Material | Plating |
| Type | BNC Female | | F Female | |
| Contact | Brass | Gold | Brass | Gold |
| Insulation | PTFE | | PTFE | |
| Outer Conductor | Brass | Nickel | Brass | Nickel |

Click the following link (or enter part number in "SEARCH" on website) to obtain additional part information including price, inventory and certifications: [50 Ohm BNC Female to 75 Ohm F Female Adapter PE9153](#)



50 Ohm BNC Female to 75 Ohm F Female Adapter

RF Adapters Technical Data Sheet

PE9153

Compliance Certifications (see [product page](#) for current document)

50 Ohm BNC Female to 75 Ohm F Female Adapter from Pasternack Enterprises has same day shipment for domestic and International orders. Our RF, microwave and millimeter wave products maintain a 99% availability and are part of the broadest selection in the industry.

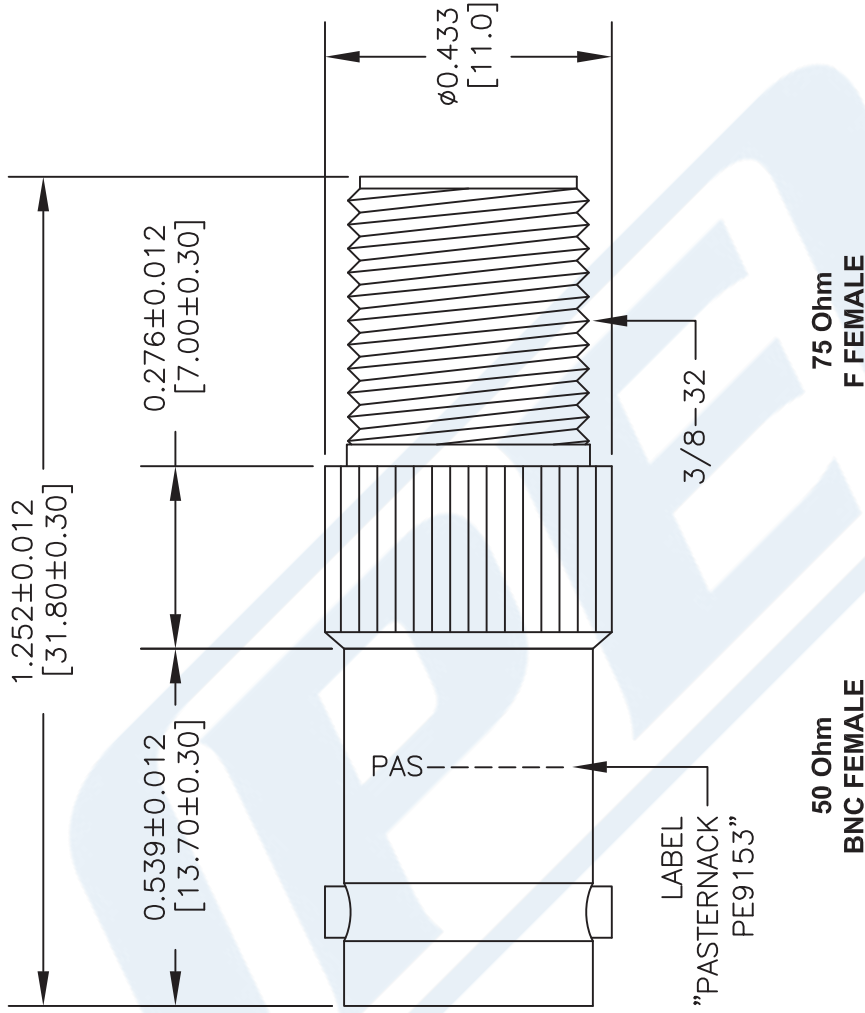
Click the following link (or enter part number in "SEARCH" on website) to obtain additional part information including price, inventory and certifications: [50 Ohm BNC Female to 75 Ohm F Female Adapter PE9153](#)

URL: <https://www.pasternack.com/f-female-bnc-female-straight-adapter-pe9153-p.aspx>

The information contained in this document is accurate to the best of our knowledge and representative of the part described herein. It may be necessary to make modifications to the part and/or the documentation of the part, in order to implement improvements. Pasternack reserves the right to make such changes as required. Unless otherwise stated, all specifications are nominal. Pasternack does not make any representation or warranty regarding the suitability of the part described herein for any particular purpose, and Pasternack does not assume any liability arising out of the use of any part or documentation.

PE9153 CAD Drawing

50 Ohm BNC Female to 75 Ohm F Female Adapter



STANDARD TOLERANCES

- .X ±0.2
- .XX ±0.1
- .XXX ±0.05

*STANDARD TOLERANCES APPLY ONLY TO DIMENSIONS IN INCHES



Pasternack Enterprises, Inc.
 P.O. Box 16759 | Irvine | CA | 92623
 Phone: (949) 261-1920 | Fax: (949) 261-7451
 Website: www.pasternack.com | E-Mail: sales@pasternack.com

DWG TITLE

PE9153

FSCM NO. 53919

NOTES:
 1. UNLESS OTHERWISE SPECIFIED ALL DIMENSIONS ARE NOMINAL.
 2. ALL SPECIFICATIONS ARE SUBJECT TO CHANGE WITHOUT NOTICE AT ANY TIME.
 3. DIMENSIONS ARE IN INCHES [mm].

CAD FILE 022316

SCALE N/A

SIZE A

3045