



# 1.85mm Male to 2.4mm Female Adapter, Stainless Steel, Engineering Grade

## RF Adapters Technical Data Sheet

**PE91615**

### Configuration

- 1.85mm Male Connector 1
- 2.4mm Female Connector 2
- 50 Ohm
- Engineering Grade Design
- Straight Body Geometry

### Features

- Max VSWR of 1.3:1 up to 50 GHz
- Gold Over Nickel Plated Beryllium Copper Contact

### Applications

- Allows Connection Between Series
- General Purpose Test

### Description

Pasternack's PE91615 1.85mm male to 2.4mm female adapter is part of our full line of RF components available for same-day shipping. The 1.85mm connector mates mechanically with commercially available 2.4mm connectors. Our 1.85mm to 2.4mm adapter has a male to female gender configuration built of durable stainless steel in an engineering grade design. PE91615 1.85mm male to 2.4mm female adapter operates to 50 GHz. The Pasternack RF adapter provides good VSWR of 1.3:1 maximum.

RF adapters are often used to enable connections between two connector types that would otherwise not mate. Certain adapter configurations can also be used to protect connectors on expensive equipment where the number of connect/disconnect cycles is high. An RF, microwave or millimeter wave adapter is connected to the equipment, and the commonly changed connection is made with the adapter which can be easily replaced when it wears out after high usage; such adapters are referred to as connector savers. Pasternack also offers bulkhead, panel mount, hermetically sealed, reverse polarity, and isolated ground adapter varieties to serve all of your RF, microwave and millimeter wave needs.

### Electrical Specifications

Description	Minimum	Typical	Maximum	Units
Frequency Range	DC		50	GHz
VSWR			1.3:1	
Operating Voltage (AC)			150	Vrms
Dielectric Withstanding Voltage (AC)			500	Vrms
Insulation Resistance	5,000			MOhms
RF Leakage			100	dB

### Performance by Frequency

Description	F1	F2	F3	F4	F5	Units
Frequency Range	DC to 2.5	2.5 to 5	5 to 10	10 to 20	20 to 50	GHz
Insertion Loss, Max	0.095	0.134	0.19	0.268	0.424	dB

Click the following link (or enter part number in "SEARCH" on website) to obtain additional part information including price, inventory and certifications: [1.85mm Male to 2.4mm Female Adapter, Stainless Steel, Engineering Grade PE91615](#)



1.85mm Male to 2.4mm Female Adapter,  
Stainless Steel, Engineering Grade

**RF Adapters Technical Data Sheet**

**PE91615**

**Mechanical Specifications**

**Size**

Length	0.91 in [23.20 mm]
Width	0.31 in [7.90 mm]
Height	0.31 in [7.90 mm]
Weight	0.08 lbs [36.29 g]

Description	Connector 1	Connector 2
Type	1.85mm Male	2.4mm Female
Polarity	Standard	Standard
Mating Cycles, Min	500	500
Mating Torque	7.08 to 9.74 in-lbs [0.80 to 1.10 Nm]	7.08 to 9.74 in-lbs 0.80 to 1.10 Nm
Contact Captivation Axial Force, Min	4.5 lbs [2.04 kg]	4.5 lbs [2.04 kg]
Coupling Proof Torque	15 in-lbs [1.7 Nm]	15 in-lbs [1.7 Nm]

**Material Specifications**

Description	Connector 1		Connector 2	
	Material	Plating	Material	Plating
Type	1.85mm Male		2.4mm Female	
Contact	Beryllium Copper	Gold Over Nickel	Beryllium Copper	Gold Over Nickel
Insulation	PPO		PPO	
Outer Conductor	Stainless Steel	Passivated		
Body	Stainless Steel	Passivated	Stainless Steel	Passivated
Gasket	Silicone		Silicone	
Coupling Nut	Stainless Steel	Passivated	Stainless Steel	Passivated

**Environmental Specifications**

**Temperature**

Operating Range -65 to +165 °C

**Humidity**

MIL-STD-202, Method 206

**Thermal Shock**

MIL-STD-202, Method 107, Condition B

**Salt Spray**

MIL-STD-202, Method 101, Condition B

**Compliance Certifications** (see [product page](#) for current document)

**Plotted and Other Data**

Notes:

Click the following link (or enter part number in "SEARCH" on website) to obtain additional part information including price, inventory and certifications: [1.85mm Male to 2.4mm Female Adapter, Stainless Steel, Engineering Grade PE91615](#)



## 1.85mm Male to 2.4mm Female Adapter, Stainless Steel, Engineering Grade

### RF Adapters Technical Data Sheet

**PE91615**

1.85mm Male to 2.4mm Female Adapter, Stainless Steel, Engineering Grade from Pasternack Enterprises has same day shipment for domestic and International orders. Our RF, microwave and millimeter wave products maintain a 99.4% availability and are part of the broadest selection in the industry.

Click the following link (or enter part number in "SEARCH" on website) to obtain additional part information including price, inventory and certifications: [1.85mm Male to 2.4mm Female Adapter, Stainless Steel, Engineering Grade PE91615](https://www.pasternack.com/engineering-grade-1.85mm-male-to-2.4mm-female-adapter-pe91615-p.aspx)

URL: <https://www.pasternack.com/engineering-grade-1.85mm-male-to-2.4mm-female-adapter-pe91615-p.aspx>

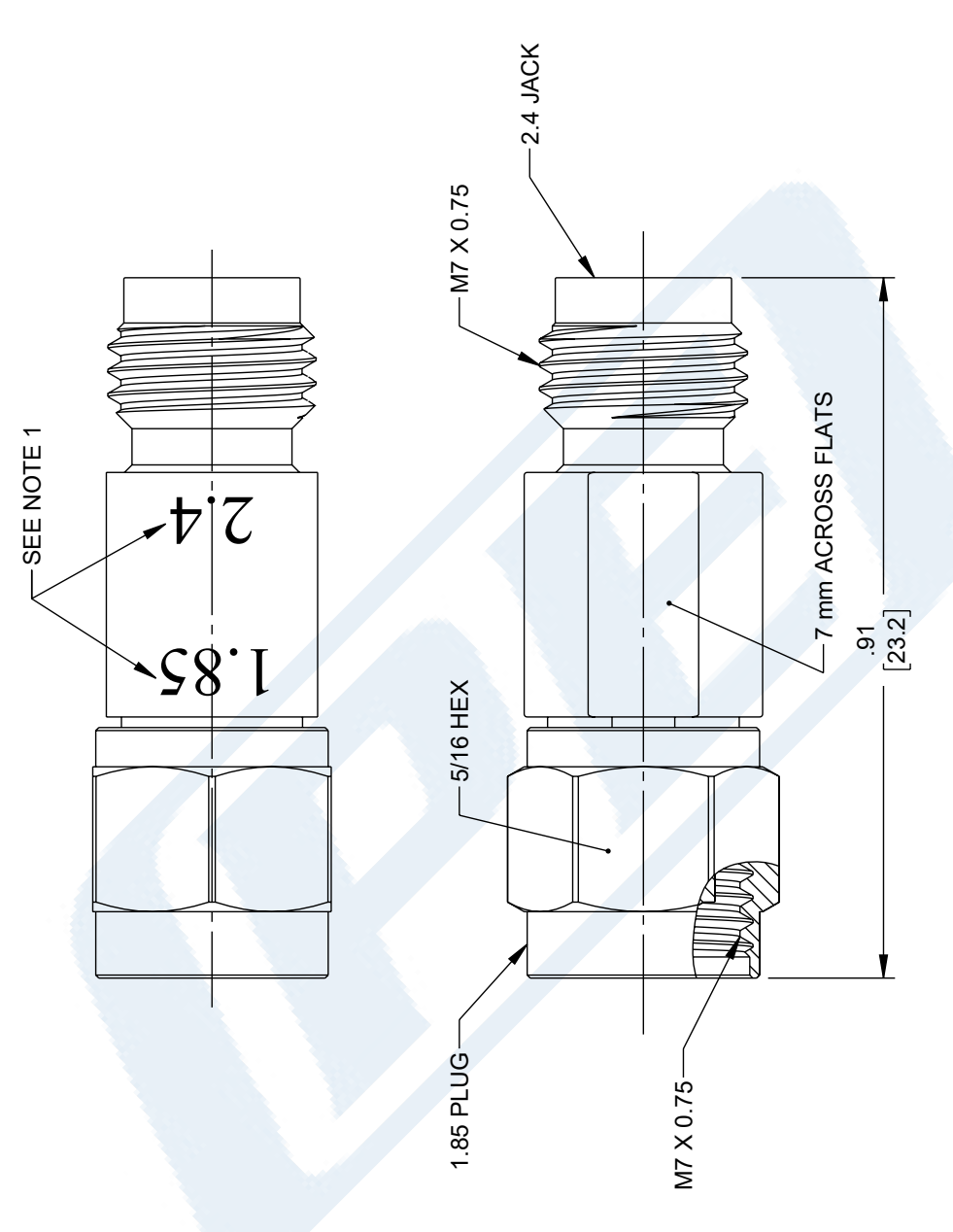
The information contained in this document is accurate to the best of our knowledge and representative of the part described herein. It may be necessary to make modifications to the part and/or the documentation of the part, in order to implement improvements. Pasternack reserves the right to make such changes as required. Unless otherwise stated, all specifications are nominal. Pasternack does not make any representation or warranty regarding the suitability of the part described herein for any particular purpose, and Pasternack does not assume any liability arising out of the use of any part or documentation.

# PE91615 CAD Drawing

1.85mm Male to 2.4mm Female Adapter, Stainless Steel, Engineering Grade

ZONE		REV	DESCRIPTION	DATE	CHANGED BY	APPROVED
A			INITIAL RELEASE	03/24/2023	DZINN	AGANWANI

REVISION	
1	



SEE NOTE 1

## NOTES:

- ITEM IS MARKED WITH CONNECTOR TYPE APPROX WHERE SHOWN.

THE INFORMATION CONTAINED IN THIS DRAWING IS THE SOLE PROPERTY OF INFINITE ELECTRONICS, INC. ANY REPRODUCTION IN PART OR WHOLE WITHOUT THE WRITTEN PERMISSION OF INFINITE ELECTRONICS, INC. IS PROHIBITED. THESE COMMODITIES, TECHNOLOGY OR SOFTWARE WERE EXPORTED FROM THE UNITED STATES IN ACCORDANCE WITH THE EXPORT ADMINISTRATION REGULATIONS. DIVERSION CONTRARY TO U.S. LAW PROHIBITED.

UNLESS OTHERWISE SPECIFIED LEADING DIMENSIONS ARE INCHES DIMENSIONS IN [ ] ARE MILLIMETERS

TOLERANCES:  
 .X = ±.2 [ .5 ] FRACTIONS  
 .XX = ±.02 [ .5 ] ±.1/32  
 .XXX = ±.005 [ .13 ] ANGLES ± 1°

CABLE LENGTH TOLERANCES:  
 ≤12 [305] = +1 [25] / -0  
 >12 [305] ≤60 [1524] = +2 [51] / -0  
 >60 [1524] ≤120 [3048] = +4 [102] / -0  
 >120 [3048] ≤300 [7620] = +6 [152] / -0  
 >300 [7620] = +5% / -0

ALL DIMENSIONS ARE FOR REFERENCE ONLY AND SUBJECT TO CHANGE WITHOUT NOTICE

**PE PASTERNAK**  
an INFINITI<sup>®</sup> brand

Website: [www.Pasternack.com](http://www.Pasternack.com)  
 Phone: 1.866.727.8376 | 1.949.261.1920

DESCRIPTION  
**RF ADAPTER, 1.85 mm PLUG TO 2.4 mm JACK**  
 50GHZ VSWR1.3

SCALE NONE SHEET 1 OF 1

INTERPRET ALL DIMENSIONS AND TOLERANCES PER ASME Y14.5

SIZE	CAGE CODE	DRAWN BY	ITEM NO.	REV
A	53919	DZINN	PE91615	A