



Precision 7mm Sexless to BNC Female Adapter

RF Adapters Technical Data Sheet

PE9220

Configuration

- 7mm Sexless Connector 1
- BNC Female Connector 2
- 50 Ohms
- Precision Design
- Straight Body Geometry

Features

- Max VSWR of 1.15:1 up to 8 GHz
- 7mm Interface compliant with IEEE STD 287
- BNC Interface compliant with MIL-STD-348
- Gold Plated Beryllium Copper Contact

Applications

- Allows Connection Between Series
- General Purpose Test
- Precision Test & Measurement

Description

Pasternack's PE9220 precision 7mm sexless to BNC female adapter is part of our full line of RF components available for same-day shipping. Our 7mm to BNC adapter has a sexless to female gender configuration in a precision design. PE9220 7mm sexless to BNC female adapter operates to 8 GHz. The Pasternack RF adapter provides excellent VSWR of 1.15:1 maximum.

RF adapters are often used to enable connections between two connector types that would otherwise not mate. Certain adapter configurations can also be used to protect connectors on expensive equipment where the number of connect/disconnect cycles is high. An RF, microwave or millimeter wave adapter is connected to the equipment, and the commonly changed connection is made with the adapter which can be easily replaced when it wears out after high usage; such adapters are referred to as connector savers. Pasternack also offers bulkhead, panel mount, hermetically sealed, reverse polarity, and isolated ground adapter varieties to serve all of your RF, microwave and millimeter wave needs.

Electrical Specifications

Description	Minimum	Typical	Maximum	Units
Frequency Range	DC		8	GHz
VSWR			1.15:1	

Mechanical Specifications

Size	
Length	1.555 in [39.5 mm]
Width	0.88 in [22.35 mm]
Weight	0.115 lbs [52.16 g]

Click the following link (or enter part number in "SEARCH" on website) to obtain additional part information including price, inventory and certifications: [Precision 7mm Sexless to BNC Female Adapter PE9220](#)



Precision 7mm Sexless to BNC Female Adapter

RF Adapters Technical Data Sheet

PE9220

Description	Connector 1	Connector 2
Type	7mm Sexless	BNC Female
Polarity	Standard	Standard
Interface Specification	IEEE STD 287	MIL-STD-348

Material Specifications

Description	Connector 1		Connector 2	
	Material	Plating	Material	Plating
Type	7mm Sexless		BNC Female	
Contact	Beryllium Copper	Gold	Beryllium Copper	Gold
Outer Conductor			Brass	Nickel
Body	Passivated Stainless Steel			
Coupling Nut	Passivated Stainless Steel			

Environmental Specifications

Temperature

Operating Range -65 to +125 deg C

Compliance Certifications (see [product page](#) for current document)

Plotted and Other Data

Notes:

Click the following link (or enter part number in "SEARCH" on website) to obtain additional part information including price, inventory and certifications: [Precision 7mm Sexless to BNC Female Adapter PE9220](#)

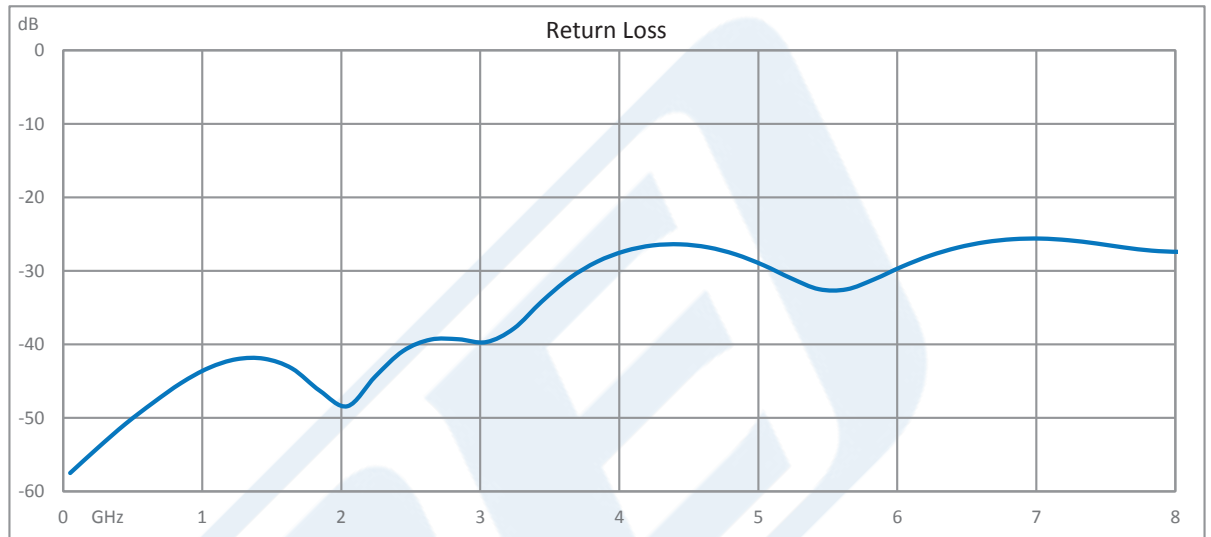


Precision 7mm Sexless to BNC Female Adapter

RF Adapters Technical Data Sheet

PE9220

Typical Performance Data



Precision 7mm Sexless to BNC Female Adapter from Pasternack Enterprises has same day shipment for domestic and International orders. Our RF, microwave and millimeter wave products maintain a 99% availability and are part of the broadest selection in the industry.

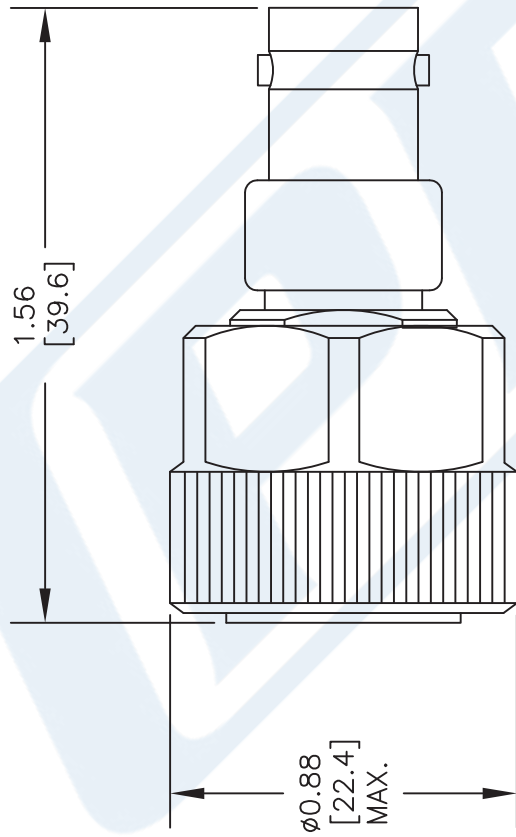
Click the following link (or enter part number in "SEARCH" on website) to obtain additional part information including price, inventory and certifications: [Precision 7mm Sexless to BNC Female Adapter PE9220](#)

URL: <https://www.pasternack.com/7mm-sexless-bnc-female-straight-adapter-pe9220-p.aspx>

The information contained in this document is accurate to the best of our knowledge and representative of the part described herein. It may be necessary to make modifications to the part and/or the documentation of the part, in order to implement improvements. Pasternack reserves the right to make such changes as required. Unless otherwise stated, all specifications are nominal. Pasternack does not make any representation or warranty regarding the suitability of the part described herein for any particular purpose, and Pasternack does not assume any liability arising out of the use of any part or documentation.

PE9220 CAD Drawing

Precision 7mm Sexless to BNC Female Adapter



NOTES:
 1. UNLESS OTHERWISE SPECIFIED ALL DIMENSIONS ARE NOMINAL.
 2. ALL SPECIFICATIONS ARE SUBJECT TO CHANGE WITHOUT NOTICE AT ANY TIME.
 3. DIMENSIONS ARE IN INCHES [mm].

DWG TITLE
PE9220

CAD FILE 011816 SCALE N/A SIZE A 150

FSCM NO. 53919

PE PASTERNAK
 THE ENGINEER'S RF SOURCE
 Pasternack Enterprises, Inc.
 P.O. Box 16759 | Irvine | CA | 92623
 Phone: (949) 261-1920 | Fax: (949) 261-7451
 Website: www.pasternack.com | E-Mail: sales@pasternack.com