



## SMC Tee Adapter Jack-Plug-Jack

### RF Adapters Technical Data Sheet

PE9242

#### Configuration

- SMC Jack Connector 1
- SMC Plug Connector 2
- 50 Ohm
- Tee Body Geometry

#### Features

- SMC interface compliant with MIL-STD-348A
- 30 μ-in minimum contact plating

#### Applications

- General Purpose Test

#### Description

Pasternack's PE9242 SMC Tee adapter jack-plug-jack is part of our full line of RF components available for same-day shipping. Our SMC tee adapter has a jack-plug-jack gender configuration. Our SMC tee connector operates to 100 MHz. Tee adapters (also called tee connectors) are three port devices that can be used to split or combine a signal. Unlike power dividers/combiners, however, they do not provide matched impedance at all ports.

RF adapters are often used to enable connections between two connector types that would otherwise not mate. Certain adapter configurations can also be used to protect connectors on expensive equipment where the number of connect/disconnect cycles is high. An RF, microwave or millimeter wave adapter is connected to the equipment, and the commonly changed connection is made with the adapter which can be easily replaced when it wears out after high usage; such adapters are referred to as connector savers. Pasternack also offers bulkhead, panel mount, hermetically sealed, reverse polarity, and isolated ground adapter varieties to serve all of your RF, microwave and millimeter wave needs.

#### Electrical Specifications

Description	Minimum	Typical	Maximum	Units
Frequency Range	DC		100	MHz
VSWR		2.1:1		

Electrical Specification Notes:  
Values at 25°C, sea level.

#### Mechanical Specifications

<b>Size</b>	
Length	0.795 in [20.19 mm]
Width	0.25 in [6.35 mm]
Height	0.555 in [14.1 mm]
Weight	0.01 lbs [4.54 g]

Click the following link (or enter part number in "SEARCH" on website) to obtain additional part information including price, inventory and certifications: [SMC Tee Adapter Jack-Plug-Jack PE9242](#)



## SMC Tee Adapter Jack-Plug-Jack

### RF Adapters Technical Data Sheet

PE9242

Description	Connector 1	Connector 2
Type	SMC Jack	SMC Plug
Polarity	Standard	Standard
Interface Specification	MIL-STD-348A	MIL-STD-348A

#### Material Specifications

Description	Connector 1		Connector 2	
	Material	Plating	Material	Plating
Type	SMC Jack		SMC Plug	
Contact	Beryllium Copper	Gold 30 μ-in minimum	Brass	Gold 30 μ-in minimum
Insulation	PTFE		PTFE	
Outer Conductor	Brass	Nickel 100 μ-in minimum		
Body			Brass	Nickel 100 μ-in minimum
Coupling Nut			Brass	Nickel 100 μ-in minimum

#### Environmental Specifications

##### Temperature

Operating Range

-65 to +165 deg C

**Compliance Certifications** (see [product page](#) for current document)

#### Plotted and Other Data

Notes:

Click the following link (or enter part number in "SEARCH" on website) to obtain additional part information including price, inventory and certifications: [SMC Tee Adapter Jack-Plug-Jack PE9242](#)

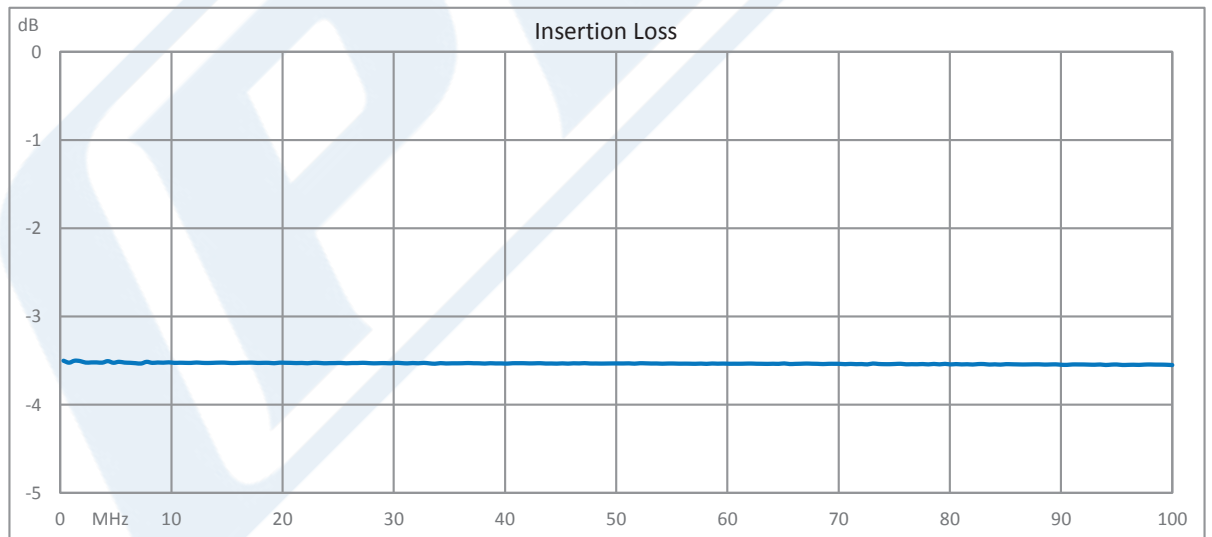
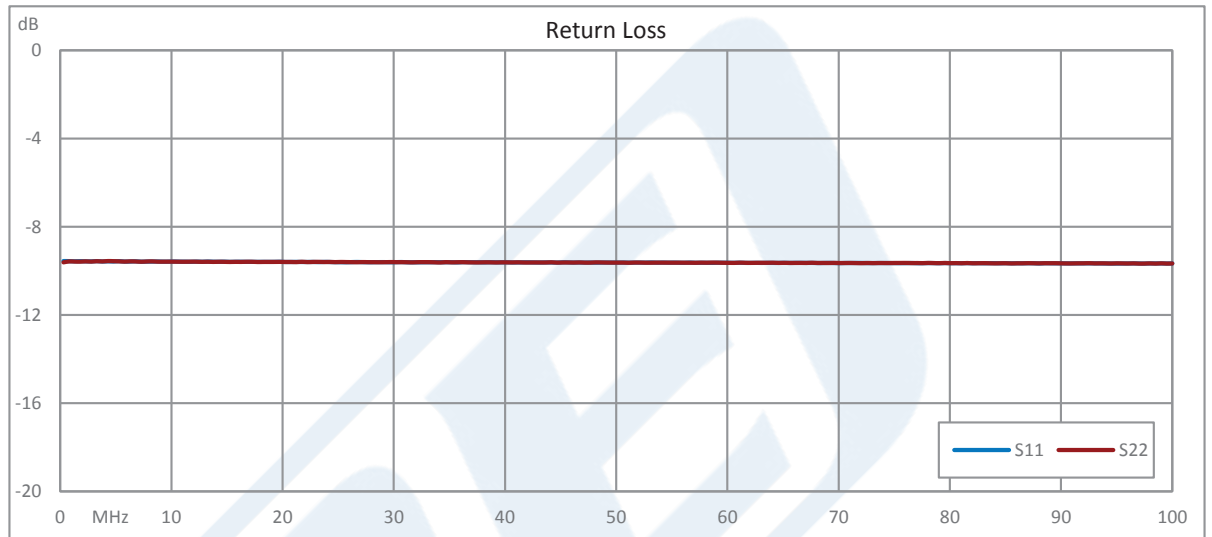


SMC Tee Adapter Jack-Plug-Jack

RF Adapters Technical Data Sheet

PE9242

Typical Performance Data



Click the following link (or enter part number in "SEARCH" on website) to obtain additional part information including price, inventory and certifications: [SMC Tee Adapter Jack-Plug-Jack PE9242](#)



## SMC Tee Adapter Jack-Plug-Jack

### RF Adapters Technical Data Sheet

PE9242

SMC Tee Adapter Jack-Plug-Jack from Pasternack Enterprises has same day shipment for domestic and International orders. Our RF, microwave and millimeter wave products maintain a 99.4% availability and are part of the broadest selection in the industry.

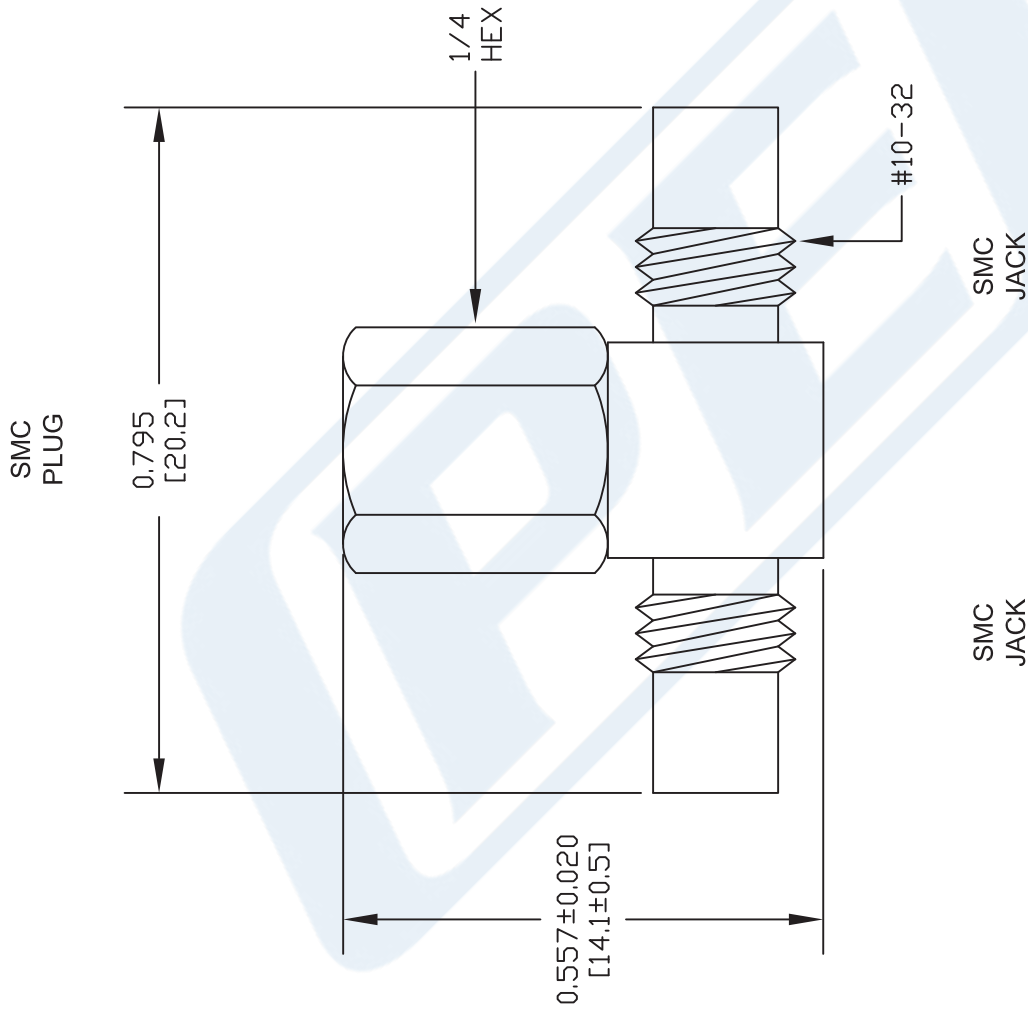
Click the following link (or enter part number in "SEARCH" on website) to obtain additional part information including price, inventory and certifications: [SMC Tee Adapter Jack-Plug-Jack PE9242](https://www.pasternack.com/smc-jack-plug-jack-tee-adapter-pe9242-p.aspx)

URL: <https://www.pasternack.com/smc-jack-plug-jack-tee-adapter-pe9242-p.aspx>

The information contained in this document is accurate to the best of our knowledge and representative of the part described herein. It may be necessary to make modifications to the part and/or the documentation of the part, in order to implement improvements. Pasternack reserves the right to make such changes as required. Unless otherwise stated, all specifications are nominal. Pasternack does not make any representation or warranty regarding the suitability of the part described herein for any particular purpose, and Pasternack does not assume any liability arising out of the use of any part or documentation.

# PE9242 CAD Drawing

## SMC Tee Adapter Jack-Plug-Jack



STANDARD TOLERANCES	
.X	±0.2
.XX	±0.1
.XXX	±0.05

\*STANDARD TOLERANCES APPLY ONLY TO DIMENSIONS IN INCHES

NOTES:  
 1. UNLESS OTHERWISE SPECIFIED ALL DIMENSIONS ARE NOMINAL.  
 2. ALL SPECIFICATIONS ARE SUBJECT TO CHANGE WITHOUT NOTICE AT ANY TIME.  
 3. DIMENSIONS ARE IN INCHES [mm].

DWG TITLE  
**PE9242**

**PE PASTERNAK**  
 THE ENGINEER'S RF SOURCE  
 Pasternack Enterprises, Inc.  
 P.O. Box 16759 | Irvine | CA | 92623  
 Phone: (949) 261-1920 | Fax: (949) 261-7451  
 Website: www.pasternack.com | E-Mail: sales@pasternack.com

CAD FILE 022416 SCALE N/A SIZE A 3045

FSCM NO. 53919