



## SMA Female to TNC Female Bulkhead Mount Adapter

### RF Adapters Technical Data Sheet

PE9251

#### Configuration

- SMA Female Connector 1
- TNC Female Connector 2
- 50 Ohm
- Straight Body Geometry
- Bulkhead Mount Method

#### Features

- Max VSWR of 1.3:1 up to 11 GHz
- SMA interface compliant with MIL-STD-348A
- TNC interface compliant with MIL-STD-348A
- 50  $\mu$ -in minimum contact plating
- Gold Plated Beryllium Copper Contact

#### Applications

- Allows Connection Between Series
- General Purpose Test
- Rack Mounted Equipment

#### Description

Pasternack's PE9251 SMA female to TNC female bulkhead adapter is part of our full line of RF components available for same-day shipping. The SMA connector mates mechanically with commercially available 3.5mm and 2.92mm (K) connectors. Our SMA to TNC adapter has a female to female gender configuration. PE9251 SMA female to TNC female adapter operates to 11 GHz. The Pasternack RF adapter provides good VSWR of 1.3:1 maximum. This RF SMA to TNC bulkhead adapter allows designers to create external connections on their product enclosures, and can be used in a variety of other rack mount and panel mount applications.

RF adapters are often used to enable connections between two connector types that would otherwise not mate. Certain adapter configurations can also be used to protect connectors on expensive equipment where the number of connect/disconnect cycles is high. An RF, microwave or millimeter wave adapter is connected to the equipment, and the commonly changed connection is made with the adapter which can be easily replaced when it wears out after high usage; such adapters are referred to as connector savers. Pasternack also offers bulkhead, panel mount, hermetically sealed, reverse polarity, and isolated ground adapter varieties to serve all of your RF, microwave and millimeter wave needs.

#### Electrical Specifications

Description	Minimum	Typical	Maximum	Units
Frequency Range	DC		11	GHz
VSWR		1.26:1	1.3:1	
Operating Voltage (AC)			500	Vrms
Dielectric Withstanding Voltage (AC)			1,000	Vrms
Inner Conductor DC Resistance			3	mOhms
Outer Conductor DC Resistance			2	mOhms
Insulation Resistance	5,000			MOhms

Click the following link (or enter part number in "SEARCH" on website) to obtain additional part information including price, inventory and certifications: [SMA Female to TNC Female Bulkhead Mount Adapter PE9251](#)



# SMA Female to TNC Female Bulkhead Mount Adapter

## RF Adapters Technical Data Sheet

PE9251

### Mechanical Specifications

#### Size

Length	1.3 in [33.02 mm]
Width	0.655 in [16.64 mm]
Weight	0.04 lbs [18.14 g]

Description	Connector 1	Connector 2
Type	SMA Female	TNC Female
Polarity	Standard	Standard
Interface Specification	MIL-STD-348A	MIL-STD-348A
Mating Cycles	500	500

### Material Specifications

Description	Connector 1		Connector 2	
	Material	Plating	Material	Plating
Type	SMA Female		TNC Female	
Contact	Beryllium Copper	Gold 50 μ-in minimum	Beryllium Copper	Gold 50 μ-in minimum
Insulation	PTFE		PTFE	
Outer Conductor	Brass	Nickel 100 μ-in minimum	Brass	Nickel 100 μ-in minimum

### Environmental Specifications

#### Temperature

Operating Range	-65 to +165 °C
-----------------	----------------

Vibration  
Salt Spray

MIL-STD-202, Method 204, Condition D  
MIL-STD-202, Method 101, Condition B

**Compliance Certifications** (see [product page](#) for current document)

### Plotted and Other Data

Notes:

Click the following link (or enter part number in "SEARCH" on website) to obtain additional part information including price, inventory and certifications: [SMA Female to TNC Female Bulkhead Mount Adapter PE9251](#)

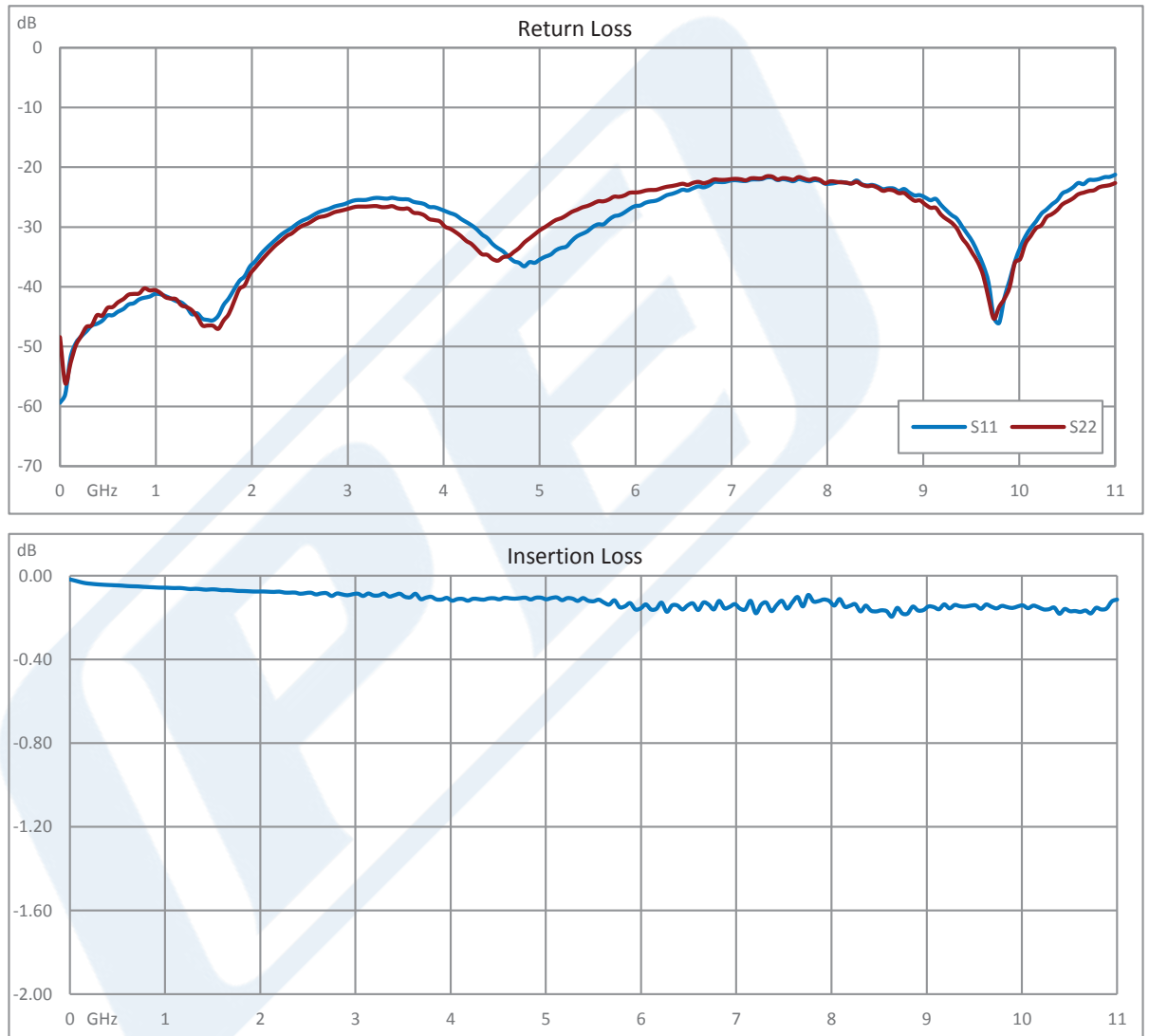


## SMA Female to TNC Female Bulkhead Mount Adapter

### RF Adapters Technical Data Sheet

PE9251

#### Typical Performance Data



Click the following link (or enter part number in "SEARCH" on website) to obtain additional part information including price, inventory and certifications: [SMA Female to TNC Female Bulkhead Mount Adapter PE9251](#)



## SMA Female to TNC Female Bulkhead Mount Adapter

### RF Adapters Technical Data Sheet

PE9251

SMA Female to TNC Female Bulkhead Mount Adapter from Pasternack Enterprises has same day shipment for domestic and International orders. Our RF, microwave and millimeter wave products maintain a 99.4% availability and are part of the broadest selection in the industry.

Click the following link (or enter part number in "SEARCH" on website) to obtain additional part information including price, inventory and certifications: [SMA Female to TNC Female Bulkhead Mount Adapter PE9251](https://www.pasternack.com/sma-female-tnc-female-straight-adapter-pe9251-p.aspx)

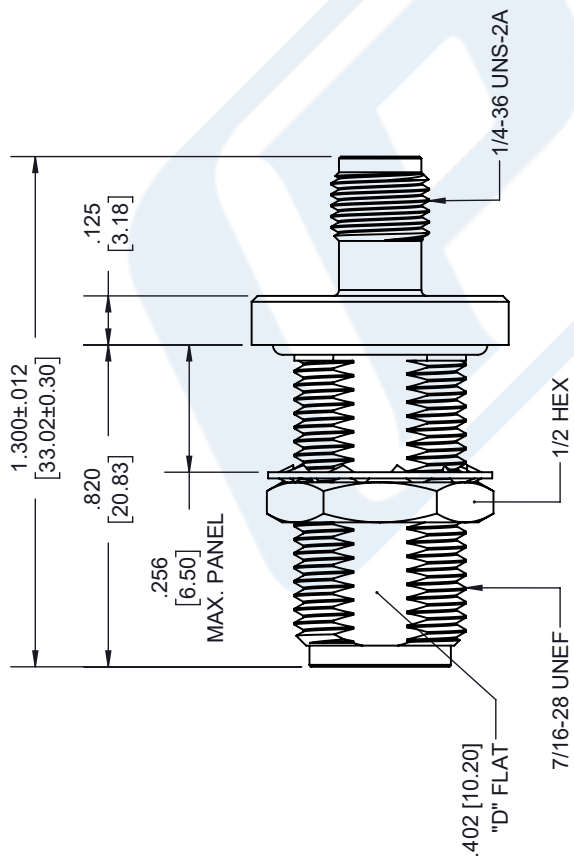
URL: <https://www.pasternack.com/sma-female-tnc-female-straight-adapter-pe9251-p.aspx>

The information contained in this document is accurate to the best of our knowledge and representative of the part described herein. It may be necessary to make modifications to the part and/or the documentation of the part, in order to implement improvements. Pasternack reserves the right to make such changes as required. Unless otherwise stated, all specifications are nominal. Pasternack does not make any representation or warranty regarding the suitability of the part described herein for any particular purpose, and Pasternack does not assume any liability arising out of the use of any part or documentation.

# PE9251 CAD Drawing

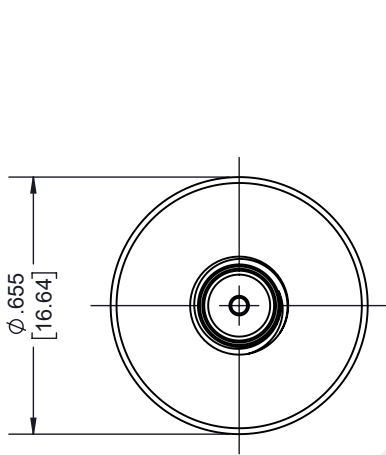
SMA Female to TNC Female Bulkhead Mount Adapter

REVISIONS			
REV.	DESCRIPTION	DATE	APPROVED
A	PCR PE9251	3/2/2021	S. ELLIS



TNC FEMALE  
BULKHEAD

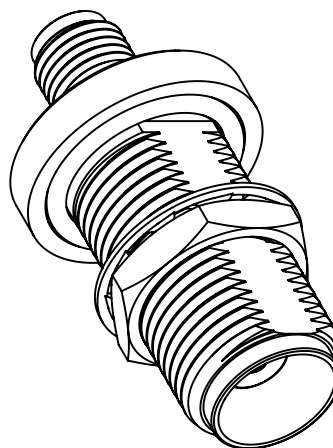
SMA FEMALE



$.407^{+.005}$   
 $-.000$   
[10.34 +0.13  
0.00]

$\phi .443^{+.005}$   
 $-.000$   
[11.24 +0.13  
0.00]

MOUNTING HOLE



UNLESS OTHERWISE SPECIFIED  
LEADING DIMENSIONS ARE INCHES  
DIMENSIONS IN [ ] ARE MILLIMETERS

TOLERANCES:  
 .X = ±.2 [508]  
 .XX = ±.02 [51] ±1/32  
 .XXX = ±.005 [13] ANGLES ± 1°  
 CABLE LENGTH (L), TOLERANCES:  
 L ≤ 12 [305] = +1 [25] / -0  
 12 [305] < L ≤ 60 [1524] = +2 [51] / -0  
 60 [1524] < L ≤ 120 [3048] = +4 [102] / -0  
 120 [3048] < L ≤ 300 [7620] = +6 [152] / -0  
 300 [7620] < L = +5% / -0  
 ALL DIMENSIONS SHOWN  
 ARE FOR REFERENCE ONLY.

THIRD-ANGLE PROJECTION

THE INFORMATION AND  
DESIGN IN THIS DOCUMENT  
IS THE PROPERTY OF  
PASTERNAK CORPORATION  
ALL RIGHTS RESERVED.

SHEET 1 OF 1

SCALE N/A

REV A



Pasternack Enterprises, Inc.  
 P.O. Box 16759, Irvine, CA 92623.  
 Phone: 1.949.261.1920 | 1.866.727.8376  
 Fax: 1.949.261.7451  
 Website: www.pasternack.com  
 E-mail: sales@pasternack.com

ITEM NO. PE9251  
 DRAWN BY K.Dang  
 PAGE CODE 53919