



Bulkhead Isolated Ground N Female to N Female Adapter

RF Adapters Technical Data Sheet

PE9382

Configuration

- N Female Connector 1
- N Female Connector 2
- 50 Ohms
- Straight Body Geometry
- Bulkhead Mount Method

Features

- Max VSWR of 1.5:1 up to 11 GHz
- Isolated Ground
- N Interface compliant with MIL-STD-348A
- Gold Plated Brass Contact
- 30 μ-in min Gold Contact Plating

Applications

- General Purpose Test
- Rack Mounted Equipment

Description

Pasternack's PE9382 bulkhead isolated ground type N female to type N female adapter is part of our full line of RF components available for same-day shipping. PE9382 type N female to type N female adapter operates to 11 GHz. The Pasternack RF adapter provides good VSWR of 1.5:1 maximum.

RF adapters are often used to enable connections between two connector types that would otherwise not mate. Certain adapter configurations can also be used to protect connectors on expensive equipment where the number of connect/disconnect cycles is high. An RF, microwave or millimeter wave adapter is connected to the equipment, and the commonly changed connection is made with the adapter which can be easily replaced when it wears out after high usage; such adapters are referred to as connector savers. Pasternack also offers bulkhead, panel mount, hermetically sealed, reverse polarity, and isolated ground adapter varieties to serve all of your RF, microwave and millimeter wave needs.

Electrical Specifications

| Description | Minimum | Typical | Maximum | Units |
|------------------------|---------|---------|---------|-------|
| Frequency Range | DC | | 11 | GHz |
| VSWR | | | 1.5:1 | |
| Operating Voltage (AC) | | | 500 | Vrms |

Mechanical Specifications

| Size | |
|--------|---------------------|
| Length | 1.75 in [44.45 mm] |
| Width | 0.8 in [20.32 mm] |
| Weight | 0.116 lbs [52.62 g] |

Click the following link (or enter part number in "SEARCH" on website) to obtain additional part information including price, inventory and certifications: [Bulkhead Isolated Ground N Female to N Female Adapter PE9382](#)



Bulkhead Isolated Ground N Female to N Female Adapter

RF Adapters Technical Data Sheet

PE9382

| Description | Connector 1 | Connector 2 |
|-------------------------|-----------------|-----------------|
| Type | N Female | N Female |
| Polarity | Standard | Standard |
| Interface Specification | MIL-STD-348A | MIL-STD-348A |
| Connector Option | Isolated Ground | Isolated Ground |

Material Specifications

| Description | Connector 1 | | Connector 2 | |
|-----------------|-------------|----------------------------|-------------|----------------------------|
| | Material | Plating | Material | Plating |
| Type | N Female | | N Female | |
| Contact | Brass | Gold 30 μ-in minimum | Brass | Gold 30 μ-in minimum |
| Insulation | PTFE | | PTFE | |
| Outer Conductor | Brass | Nickel 100 μ-in minimum | Brass | Nickel 100 μ-in minimum |

Environmental Specifications

Temperature

Operating Range

-65 to +165 deg C

Compliance Certifications (see [product page](#) for current document)

Plotted and Other Data

Notes:

Click the following link (or enter part number in "SEARCH" on website) to obtain additional part information including price, inventory and certifications: [Bulkhead Isolated Ground N Female to N Female Adapter PE9382](#)



Bulkhead Isolated Ground N Female to N Female Adapter

RF Adapters Technical Data Sheet

PE9382

Bulkhead Isolated Ground N Female to N Female Adapter from Pasternack Enterprises has same day shipment for domestic and International orders. Our RF, microwave and millimeter wave products maintain a 99% availability and are part of the broadest selection in the industry.

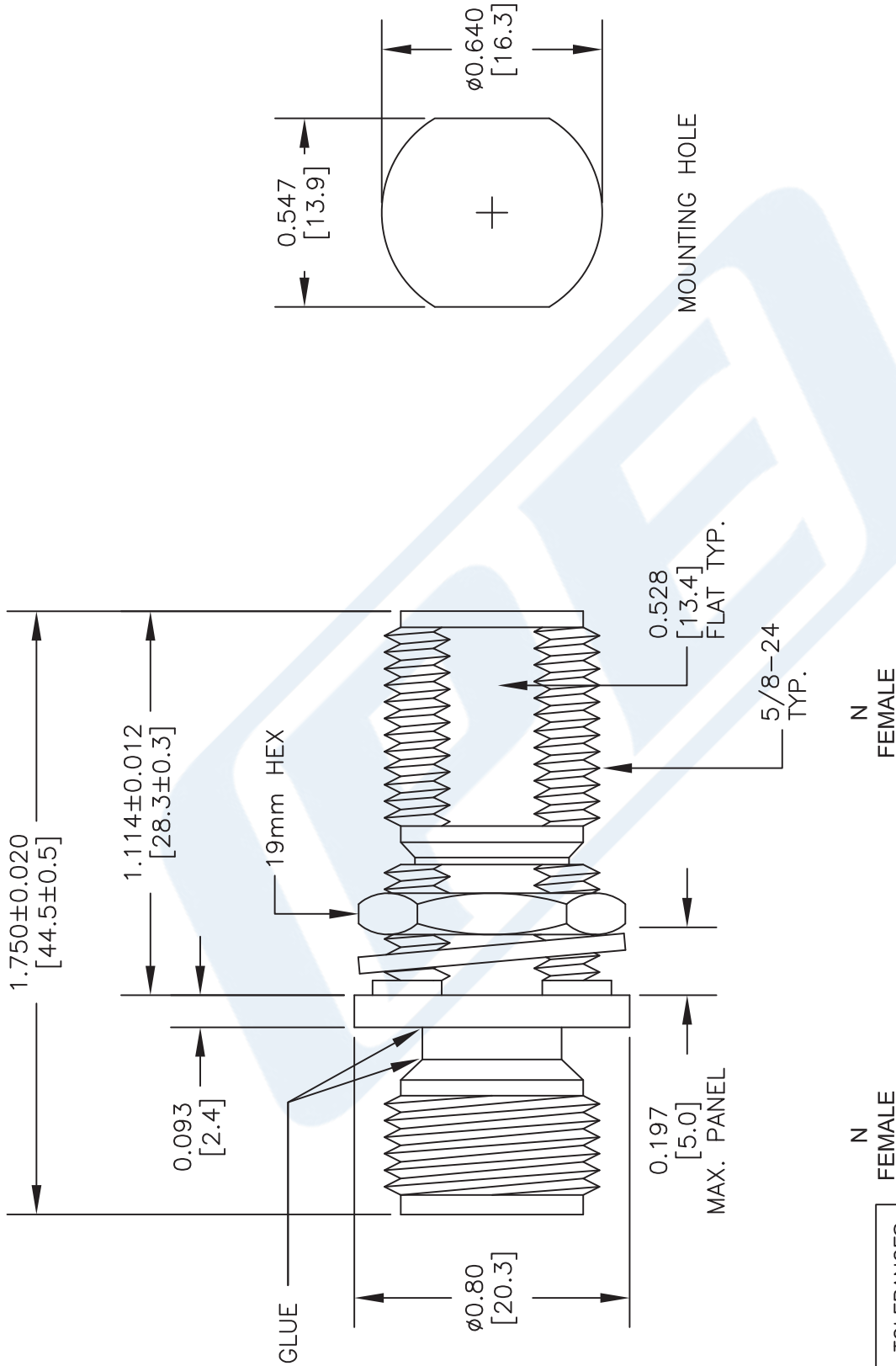
Click the following link (or enter part number in "SEARCH" on website) to obtain additional part information including price, inventory and certifications: [Bulkhead Isolated Ground N Female to N Female Adapter PE9382](#)

URL: <https://www.pasternack.com/n-female-n-female-straight-adapter-pe9382-p.aspx>

The information contained in this document is accurate to the best of our knowledge and representative of the part described herein. It may be necessary to make modifications to the part and/or the documentation of the part, in order to implement improvements. Pasternack reserves the right to make such changes as required. Unless otherwise stated, all specifications are nominal. Pasternack does not make any representation or warranty regarding the suitability of the part described herein for any particular purpose, and Pasternack does not assume any liability arising out of the use of any part or documentation.

PE9382 CAD Drawing

Bulkhead Isolated Ground N Female to N Female Adapter



| STANDARD TOLERANCES | |
|---------------------|-------|
| .X | ±0.2 |
| .XX | ±0.1 |
| .XXX | ±0.05 |

*STANDARD TOLERANCES APPLY ONLY TO DIMENSIONS IN INCHES

NOTES:
 1. UNLESS OTHERWISE SPECIFIED ALL DIMENSIONS ARE NOMINAL.
 2. ALL SPECIFICATIONS ARE SUBJECT TO CHANGE WITHOUT NOTICE AT ANY TIME.
 3. DIMENSIONS ARE IN INCHES [mm].

DWG TITLE
PE9382

FSCM NO. 53919

CAD FILE 021816

SCALE N/A

SIZE A

3045

PE PASTERNAK
 THE ENGINEER'S RF SOURCE

Pasternack Enterprises, Inc.
 P.O. Box 16759 | Irvine | CA | 92623

Phone: (949) 261-1920 | Fax: (949) 261-7451
 Website: www.pasternack.com | E-Mail: sales@pasternack.com