



Hermetically Sealed N Female to N Female Bulkhead Mount Adapter, For 1 inch Max. Panel

RF Adapters Technical Data Sheet

PE9383

Configuration

- N Female Connector 1
- N Female Connector 2
- 50 Ohm
- Straight Body Geometry
- Bulkhead Mount Method

Features

- Hermetically Sealed
- Type N interface compliant with MIL-STD-348
- Contact plating according to QQ-S-365
- Silver Plated Beryllium Copper Contact

Applications

- General Purpose Test
- Vacuum Test Environment
- Rack Mounted Equipment

Description

Pasternack's PE9383 hermetically sealed type N female to type N female bulkhead adapter is part of our full line of RF components available for same-day shipping. Our type N to type N adapter has a female to female gender configuration. PE9383 type N female to type N female adapter operates to 11 GHz. This RF type N to type N bulkhead adapter allows designers to create external connections on their product enclosures, and can be used in a variety of other rack mount and panel mount applications. This hermetic type N to type N adapter prevents the leakage of gases, making it suitable for high pressure or vacuum applications or whenever an airtight seal is required.

RF adapters are often used to enable connections between two connector types that would otherwise not mate. Certain adapter configurations can also be used to protect connectors on expensive equipment where the number of connect/disconnect cycles is high. An RF, microwave or millimeter wave adapter is connected to the equipment, and the commonly changed connection is made with the adapter which can be easily replaced when it wears out after high usage; such adapters are referred to as connector savers. Pasternack also offers bulkhead, panel mount, hermetically sealed, reverse polarity, and isolated ground adapter varieties to serve all of your RF, microwave and millimeter wave needs.

Electrical Specifications

Description	Minimum	Typical	Maximum	Units
Frequency Range	DC		11	GHz
Operating Voltage (AC)			335	Vrms
Dielectric Withstanding Voltage (AC)			1,000	Vrms
Insulation Resistance	5,000			MOhms

Mechanical Specifications

Size

Length	2.375 in [60.33 mm]
Width	0.875 in [22.23 mm]
Weight	0.159 lbs [72.12 g]

Click the following link (or enter part number in "SEARCH" on website) to obtain additional part information including price, inventory and certifications: [Hermetically Sealed N Female to N Female Bulkhead Mount Adapter, For 1 inch Max. Panel PE9383](#)



Hermetically Sealed N Female to N Female Bulkhead Mount Adapter, For 1 inch Max. Panel

RF Adapters Technical Data Sheet

PE9383

Description	Connector 1	Connector 2
Type	N Female	N Female
Polarity	Standard	Standard
Interface Specification	MIL-STD-348	MIL-STD-348
Connector Option	Hermetically Sealed	Hermetically Sealed

Material Specifications

Description	Connector 1		Connector 2	
	Material	Plating	Material	Plating
Type	N Female		N Female	
Contact	Beryllium Copper	Silver QQ-S-365	Beryllium Copper	Silver QQ-S-365
Insulation	PTFE		PTFE	
Outer Conductor	Brass	Nickel QQ-N-290	Brass	Nickel QQ-N-290

Environmental Specifications

Temperature

Operating Range -65 to +165 deg C

Hermetic Seal

1 x 10⁻⁷ CC/SEC OF HELIUM

Compliance Certifications (see [product page](#) for current document)

Plotted and Other Data

Notes:

Click the following link (or enter part number in "SEARCH" on website) to obtain additional part information including price, inventory and certifications: [Hermetically Sealed N Female to N Female Bulkhead Mount Adapter, For 1 inch Max. Panel PE9383](#)



Hermetically Sealed N Female to N Female Bulkhead Mount Adapter, For 1 inch Max. Panel

RF Adapters Technical Data Sheet

PE9383

Hermetically Sealed N Female to N Female Bulkhead Mount Adapter, For 1 inch Max. Panel from Pasternack Enterprises has same day shipment for domestic and International orders. Our RF, microwave and millimeter wave products maintain a 99.4% availability and are part of the broadest selection in the industry.

Click the following link (or enter part number in "SEARCH" on website) to obtain additional part information including price, inventory and certifications: [Hermetically Sealed N Female to N Female Bulkhead Mount Adapter, For 1 inch Max. Panel PE9383](https://www.pasternack.com/n-female-n-female-straight-adapter-pe9383-p.aspx)

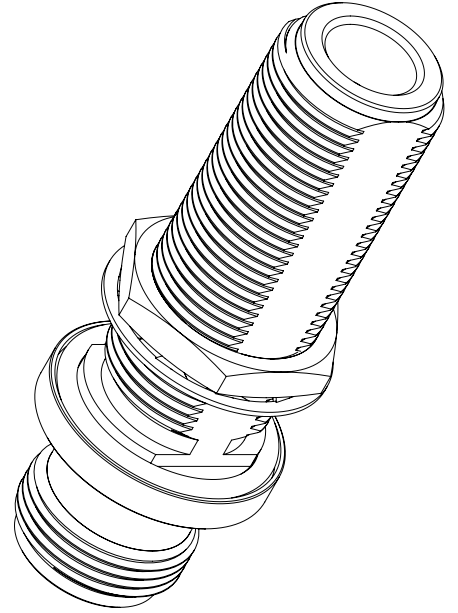
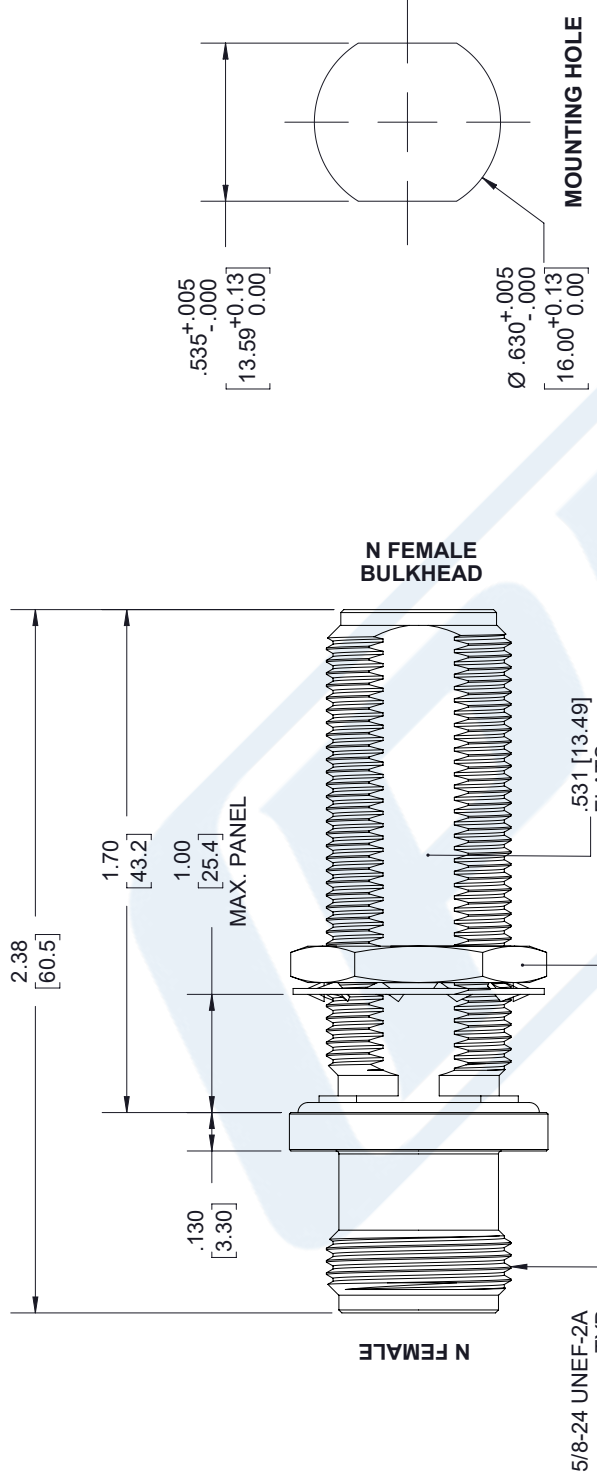
URL: <https://www.pasternack.com/n-female-n-female-straight-adapter-pe9383-p.aspx>

The information contained in this document is accurate to the best of our knowledge and representative of the part described herein. It may be necessary to make modifications to the part and/or the documentation of the part, in order to implement improvements. Pasternack reserves the right to make such changes as required. Unless otherwise stated, all specifications are nominal. Pasternack does not make any representation or warranty regarding the suitability of the part described herein for any particular purpose, and Pasternack does not assume any liability arising out of the use of any part or documentation.

PE9383 CAD Drawing

Hermetically Sealed N Female to N Female Bulkhead
Mount Adapter, For 1 inch Max. Panel

REV.	DESCRIPTION	DATE	APPROVED
A	PCR PE9383	1/17/2020	S.ELLIS



<p>UNLESS OTHERWISE SPECIFIED LEADING DIMENSIONS ARE INCHES DIMENSIONS IN [] ARE MILLIMETERS</p> <p>TOLERANCES:</p> <table border="0"> <tr> <td>.X = ±.2</td> <td>[5.08]</td> <td>FRACTIONS</td> <td>± 1/32</td> </tr> <tr> <td>.XX = ±.02</td> <td>[.51]</td> <td>ANGLES ± 1°</td> <td></td> </tr> <tr> <td>.XXX = ±.005</td> <td>[.13]</td> <td>CABLE LENGTH (L) TOLERANCES:</td> <td></td> </tr> <tr> <td></td> <td></td> <td>L ≤ 12 [305]</td> <td>= +1 [25] / -0</td> </tr> <tr> <td></td> <td></td> <td>12 [305] < L ≤ 60 [1524]</td> <td>= +2 [51] / -0</td> </tr> <tr> <td></td> <td></td> <td>60 [1524] < L ≤ 120 [3048]</td> <td>= +4 [102] / -0</td> </tr> <tr> <td></td> <td></td> <td>120 [3048] < L ≤ 300 [7620]</td> <td>= +6 [152] / -0</td> </tr> <tr> <td></td> <td></td> <td>300 [7620] < L ≤ ∞</td> <td>= +5% / L / -0</td> </tr> </table> <p>ALL DIMENSIONS SHOWN ARE FOR REFERENCE ONLY.</p>	.X = ±.2	[5.08]	FRACTIONS	± 1/32	.XX = ±.02	[.51]	ANGLES ± 1°		.XXX = ±.005	[.13]	CABLE LENGTH (L) TOLERANCES:				L ≤ 12 [305]	= +1 [25] / -0			12 [305] < L ≤ 60 [1524]	= +2 [51] / -0			60 [1524] < L ≤ 120 [3048]	= +4 [102] / -0			120 [3048] < L ≤ 300 [7620]	= +6 [152] / -0			300 [7620] < L ≤ ∞	= +5% / L / -0	<p>PE PASTERNAK an INFINITO brand</p> <p>Pasternack Enterprises, Inc. P. O. Box 16759, Irvine, CA 92623. Phone: 1.949.261.1920 1.866.727.8376 Fax: 1.949.261.7451 Website: www.pasternack.com E-mail: sales@pasternack.com</p>	<p>THIRD-ANGLE PROJECTION</p> <p>THE INFORMATION AND DESIGN IN THIS DOCUMENT IS THE PROPERTY OF PASTERNAK CORPORATION ALL RIGHTS RESERVED.</p> <p>SHEET 1 OF 1</p> <p>SCALE N/A</p>
	.X = ±.2	[5.08]	FRACTIONS	± 1/32																														
.XX = ±.02	[.51]	ANGLES ± 1°																																
.XXX = ±.005	[.13]	CABLE LENGTH (L) TOLERANCES:																																
		L ≤ 12 [305]	= +1 [25] / -0																															
		12 [305] < L ≤ 60 [1524]	= +2 [51] / -0																															
		60 [1524] < L ≤ 120 [3048]	= +4 [102] / -0																															
		120 [3048] < L ≤ 300 [7620]	= +6 [152] / -0																															
		300 [7620] < L ≤ ∞	= +5% / L / -0																															
<p>SIZE A</p> <p>CAGE CODE 53919</p> <p>DRAWN BY K.DANG</p> <p>ITEM NO. PE9383</p>	<p>REV A</p>																																	

THESE COMMODITIES, TECHNOLOGY OR SOFTWARE WERE EXPORTED FROM THE UNITED STATES IN ACCORDANCE WITH THE EXPORT ADMINISTRATION REGULATIONS. DIVERSION CONTRARY TO U.S. LAW PROHIBITED.