



SMA Female to SSMB Plug Adapter

RF Adapters Technical Data Sheet

PE9402

Configuration

- SMA Female Connector 1
- SSMB Plug Connector 2
- 50 Ohms
- Straight Body Geometry

Features

- SMA Interface compliant with MIL-STD-348
- SSMB Interface compliant with MIL-STD-348
- Gold Plated Contact
- Contact Plating per MIL-G-45204

Applications

- Allows Connection Between Series
- General Purpose Test

Description

Pasternack's PE9402 SMA female to SSMB plug adapter is part of our full line of RF components available for same-day shipping. The SMA connector mates mechanically with commercially available 3.5mm and 2.92mm (K) connectors. Our SMA to SSMB adapter has a female to plug gender configuration.

RF adapters are often used to enable connections between two connector types that would otherwise not mate. Certain adapter configurations can also be used to protect connectors on expensive equipment where the number of connect/disconnect cycles is high. An RF, microwave or millimeter wave adapter is connected to the equipment, and the commonly changed connection is made with the adapter which can be easily replaced when it wears out after high usage; such adapters are referred to as connector savers. Pasternack also offers bulkhead, panel mount, hermetically sealed, reverse polarity, and isolated ground adapter varieties to serve all of your RF, microwave and millimeter wave needs.

Mechanical Specifications

Size	
Length	0.75 in [19.05 mm]
Width	0.25 in [6.35 mm]
Weight	0.006 lbs [2.72 g]

Description	Connector 1	Connector 2
Type	SMA Female	SSMB Plug
Polarity	Standard	Standard
Interface Specification	MIL-STD-348	MIL-STD-348

Click the following link (or enter part number in "SEARCH" on website) to obtain additional part information including price, inventory and certifications: [SMA Female to SSMB Plug Adapter PE9402](#)



SMA Female to SSMB Plug Adapter

RF Adapters Technical Data Sheet

PE9402

Material Specifications

Description	Connector 1		Connector 2	
	Material	Plating	Material	Plating
Type	SMA Female		SSMB Plug	
Contact	Beryllium Copper	Gold MIL-G-45204	Brass	Gold MIL-G-45204
Insulation	PTFE		PTFE	
Outer Conductor	Brass	Nickel QQ-N-290		
Body			Brass	Nickel QQ-N-290
Coupling Nut			Brass	Nickel QQ-N-290

Compliance Certifications (see [product page](#) for current document)

SMA Female to SSMB Plug Adapter from Pasternack Enterprises has same day shipment for domestic and International orders. Our RF, microwave and millimeter wave products maintain a 99% availability and are part of the broadest selection in the industry.

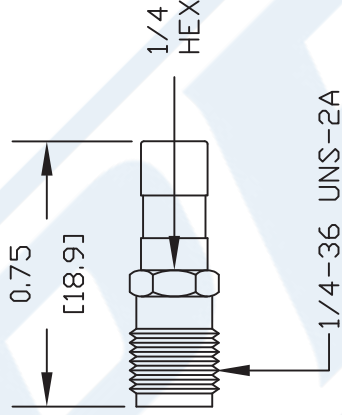
Click the following link (or enter part number in "SEARCH" on website) to obtain additional part information including price, inventory and certifications: [SMA Female to SSMB Plug Adapter PE9402](#)

URL: <https://www.pasternack.com/sma-female-ssmb-plug-straight-adapter-pe9402-p.aspx>

The information contained in this document is accurate to the best of our knowledge and representative of the part described herein. It may be necessary to make modifications to the part and/or the documentation of the part, in order to implement improvements. Pasternack reserves the right to make such changes as required. Unless otherwise stated, all specifications are nominal. Pasternack does not make any representation or warranty regarding the suitability of the part described herein for any particular purpose, and Pasternack does not assume any liability arising out of the use of any part or documentation.

PE9402 CAD Drawing

SMA Female to SSMB Plug Adapter



NOTES:
 1. UNLESS OTHERWISE SPECIFIED ALL DIMENSIONS ARE NOMINAL.
 2. ALL SPECIFICATIONS ARE SUBJECT TO CHANGE WITHOUT NOTICE AT ANY TIME.
 3. DIMENSIONS ARE IN INCHES [mm].

DWG TITLE
PE9402

REV. -

FSCM NO. 53919

CAD FILE 091902

SCALE N/A

SIZE A

127

PASTERNAK ENTERPRISES, INC.
 P O BOX 16759, IRVINE, CA 92623
 PHONE (949) 261-1920 FAX (949) 261-7451
 WEB ADDRESS: www.pasternack.com
 E-MAIL ADDRESS: sales@pasternack.com
COAXIAL & FIBER OPTICS

