

Isolated Ground 75 Ohm N Female to 75 Ohm N Female Bulkhead Mount Adapter

RF Adapters Technical Data Sheet

PE9417

Configuration

- N Female Connector 1
- N Female Connector 2
- 75 Ohm
- Straight Body Geometry
- Bulkhead Mount Method

Features

- Isolated Ground
- Type N interface compliant with MIL-STD-348
- Contact plating according to QQ-S-365
- Silver Plated Beryllium Copper Contact
- Isolated Ground
- N Interface compliant with MIL-STD-348
- Silver Plated Contact
- Contact Plating per QQ-S-365

Applications

- General Purpose Test
- Rack Mounted Equipment
- General Purpose Test
- Rack Mounted Equipment

Description

Pasternack's PE9417 isolated ground 75 ohm type N female to type N female bulkhead adapter is part of our full line of RF components available for same-day shipping. Our type N to type N adapter has a female to female gender configuration. This RF type N to type N bulkhead adapter allows designers to create external connections on their product enclosures, and can be used in a variety of other rack mount and panel mount applications.

RF adapters are often used to enable connections between two connector types that would otherwise not mate. Certain adapter configurations can also be used to protect connectors on expensive equipment where the number of connect/disconnect cycles is high. An RF, microwave or millimeter wave adapter is connected to the equipment, and the commonly changed connection is made with the adapter which can be easily replaced when it wears out after high usage; such adapters are referred to as connector savers. Pasternack also offers bulkhead, panel mount, hermetically sealed, reverse polarity, and isolated ground adapter varieties to serve all of your RF, microwave and millimeter wave needs.

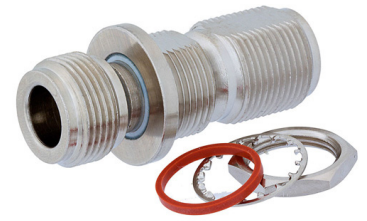
Mechanical Specifications

Size

Length	1.75 in [44.45 mm]
Width	0.80 in [20.32 mm]
Weight	0.10 lbs [47.26 g]

Description	Connector 1	Connector 2
Type	N Female	N Female
Polarity	Standard	Standard
Interface Specification	MIL-STD-348	MIL-STD-348
Connector Option	Isolated Ground	Isolated Ground

Click the following link (or enter part number in "SEARCH" on website) to obtain additional part information including price, inventory and certifications: [Isolated Ground 75 Ohm N Female to 75 Ohm N Female Bulkhead Mount Adapter PE9417](#)



Isolated Ground 75 Ohm N Female to 75 Ohm N Female Bulkhead Mount Adapter

RF Adapters Technical Data Sheet

PE9417

Material Specifications

Description	Connector 1		Connector 2	
	Material	Plating	Material	Plating
Type	N Female		N Female	
Contact	Beryllium Copper	Silver QQ-S-365	Beryllium Copper	Silver QQ-S-365
Insulation	PTFE		PTFE	
Outer Conductor	Brass	Nickel QQ-N-290	Brass	Nickel QQ-N-290

Environmental Specifications

Temperature

Operating Range -65 to +165 °C

Compliance Certifications (see [product page](#) for current document)

Plotted and Other Data

Notes:

Isolated Ground 75 Ohm N Female to 75 Ohm N Female Bulkhead Mount Adapter from Pasternack Enterprises has same day shipment for domestic and International orders. Our RF, microwave and millimeter wave products maintain a 99.4% availability and are part of the broadest selection in the industry.

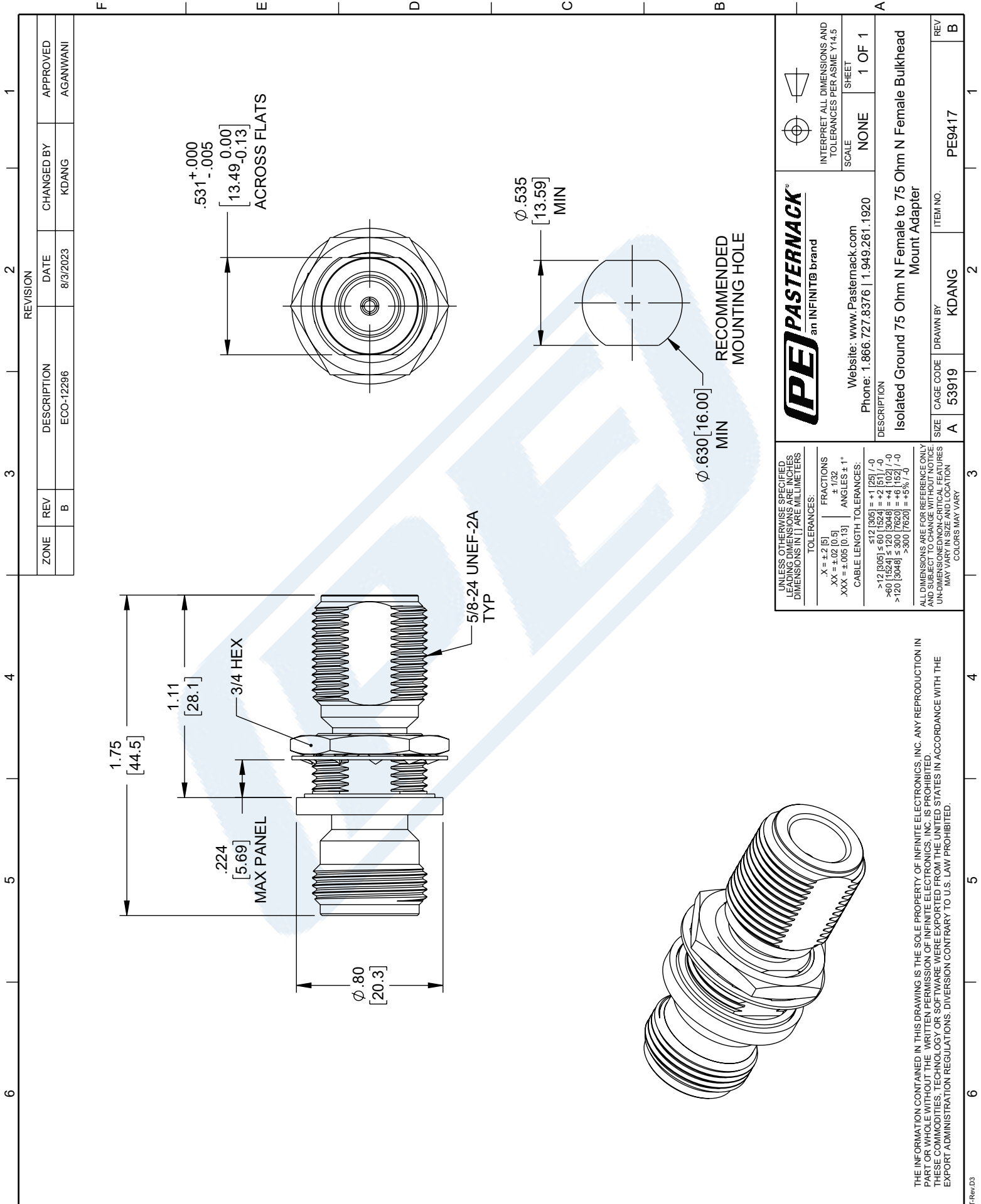
Click the following link (or enter part number in "SEARCH" on website) to obtain additional part information including price, inventory and certifications: [Isolated Ground 75 Ohm N Female to 75 Ohm N Female Bulkhead Mount Adapter PE9417](#)

URL: <https://www.pasternack.com/n-female-n-female-straight-adapter-pe9417-p.aspx>

The information contained in this document is accurate to the best of our knowledge and representative of the part described herein. It may be necessary to make modifications to the part and/or the documentation of the part, in order to implement improvements. Pasternack reserves the right to make such changes as required. Unless otherwise stated, all specifications are nominal. Pasternack does not make any representation or warranty regarding the suitability of the part described herein for any particular purpose, and Pasternack does not assume any liability arising out of the use of any part or documentation.

PE9417 CAD Drawing

Isolated Ground 75 Ohm N Female to 75 Ohm N Female Bulkhead Mount Adapter



REVISION		DESCRIPTION	DATE	CHANGED BY	APPROVED
ZONE	REV	ECO-12296	8/3/2023	KDANG	AGANWANI
	B				

		INTERPRET ALL DIMENSIONS AND TOLERANCES PER ASME Y14.5 SCALE: NONE SHEET: 1 OF 1	
Website: www.Pasternack.com Phone: 1.866.727.8376 1.949.261.1920		DESCRIPTION Isolated Ground 75 Ohm N Female to 75 Ohm N Female Bulkhead Mount Adapter	
UNLESS OTHERWISE SPECIFIED, LEADING DIMENSIONS ARE IN INCHES, DIMENSIONS IN [] ARE MILLIMETERS.	TOLERANCES: .X = ±.2 [5] .XX = ±.02 [0.5] .XXX = ±.005 [0.13]	FRACTIONS ± 1/32 ANGLES ± 1°	CABLE LENGTH TOLERANCES: ≤12 [305] = ±1 [25] / -0 >12 [305] ≤ 60 [1524] = +2 [51] / -0 >60 [1524] ≤ 120 [3048] = +4 [102] / -0 >120 [3048] ≤ 300 [7620] = +6 [152] / -0 >300 [7620] = +5% / -0
ALL DIMENSIONS ARE FOR REFERENCE ONLY AND SUBJECT TO CHANGE WITHOUT NOTICE. UN-DIMENSIONED NON-CRITICAL FEATURES MAY VARY IN SIZE AND LOCATION. COLORS MAY VARY.			
ITEM NO. A 53919	DRAWN BY KDANG	CAGE CODE 53919	REV B