



2.92mm Male to 2.92mm Female Adapter

RF Adapters Technical Data Sheet

PE9437

Configuration

- 2.92mm Male Connector 1
- 2.92mm Female Connector 2
- 50 Ohms
- Straight Body Geometry

Features

- Max VSWR of 1.25:1 up to 40 GHz
- Gold Plated Beryllium Copper Contact

Applications

- Connector Saver
- General Purpose Test

Description

Pasternack's PE9437 2.92mm male to 2.92mm female adapter is part of our full line of RF components available for same-day shipping. The 2.92mm connector mates mechanically with commercially available SMA and 3.5mm connectors. Our 2.92mm to 2.92mm adapter has a male to female gender configuration. PE9437 2.92mm male to 2.92mm female adapter operates to 40 GHz. The Pasternack RF adapter provides excellent VSWR of 1.25:1 maximum. The PE9437 Pasternack RF adapter can also be used as a connector saver to extend equipment life.

RF adapters are often used to enable connections between two connector types that would otherwise not mate. Certain adapter configurations can also be used to protect connectors on expensive equipment where the number of connect/disconnect cycles is high. An RF, microwave or millimeter wave adapter is connected to the equipment, and the commonly changed connection is made with the adapter which can be easily replaced when it wears out after high usage; such adapters are referred to as connector savers. Pasternack also offers bulkhead, panel mount, hermetically sealed, reverse polarity, and isolated ground adapter varieties to serve all of your RF, microwave and millimeter wave needs.

Electrical Specifications

Description	Minimum	Typical	Maximum	Units
Frequency Range	DC		40	GHz
VSWR			1.25:1	

Performance by Frequency

Description	F1	F2	F3	F4	F5	Units
Frequency Range	DC to 18	18 to 26.5	26.5 to 40			GHz
VSWR, Max	1.1:1	1.15:1	1.25:1			

Mechanical Specifications

Size	
Length	0.73 in [18.54 mm]
Width	0.313 in [7.95 mm]

Click the following link (or enter part number in "SEARCH" on website) to obtain additional part information including price, inventory and certifications: [2.92mm Male to 2.92mm Female Adapter PE9437](#)



2.92mm Male to 2.92mm Female Adapter

RF Adapters Technical Data Sheet

PE9437

Weight 0.011 lbs [4.99 g]

Description	Connector 1	Connector 2
Type	2.92mm Male	2.92mm Female
Polarity	Standard	Standard
Hex Size	5/16 in.	

Material Specifications

Description	Connector 1		Connector 2	
	Material	Plating	Material	Plating
Type	2.92mm Male		2.92mm Female	
Contact	Beryllium Copper	Gold	Beryllium Copper	Gold
Outer Conductor			Passivated Stainless Steel	
Body	Passivated Stainless Steel			
Coupling Nut	Passivated Stainless Steel			

Environmental Specifications

Temperature

Operating Range -65 to +125 deg C

Compliance Certifications (see [product page](#) for current document)

Plotted and Other Data

Notes:

Click the following link (or enter part number in "SEARCH" on website) to obtain additional part information including price, inventory and certifications: [2.92mm Male to 2.92mm Female Adapter PE9437](#)

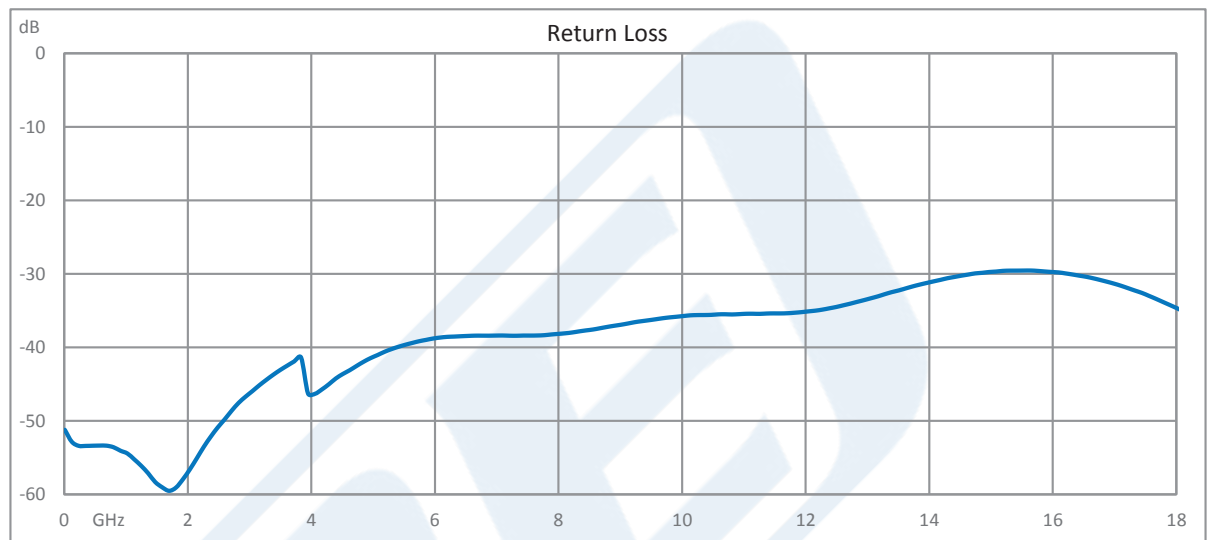


2.92mm Male to 2.92mm Female Adapter

RF Adapters Technical Data Sheet

PE9437

Typical Performance Data



2.92mm Male to 2.92mm Female Adapter from Pasternack Enterprises has same day shipment for domestic and International orders. Our RF, microwave and millimeter wave products maintain a 99% availability and are part of the broadest selection in the industry.

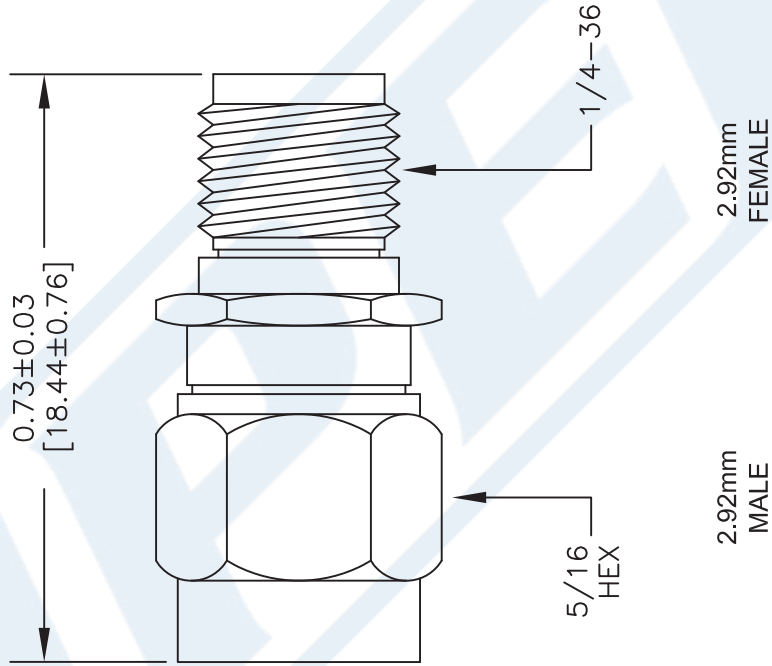
Click the following link (or enter part number in "SEARCH" on website) to obtain additional part information including price, inventory and certifications: [2.92mm Male to 2.92mm Female Adapter PE9437](#)

URL: <https://www.pasternack.com/2.92mm-male-2.92mm-female-straight-adapter-pe9437-p.aspx>

The information contained in this document is accurate to the best of our knowledge and representative of the part described herein. It may be necessary to make modifications to the part and/or the documentation of the part, in order to implement improvements. Pasternack reserves the right to make such changes as required. Unless otherwise stated, all specifications are nominal. Pasternack does not make any representation or warranty regarding the suitability of the part described herein for any particular purpose, and Pasternack does not assume any liability arising out of the use of any part or documentation.

PE9437 CAD Drawing

2.92mm Male to 2.92mm Female Adapter



NOTES:
 1. UNLESS OTHERWISE SPECIFIED ALL DIMENSIONS ARE NOMINAL.
 2. ALL SPECIFICATIONS ARE SUBJECT TO CHANGE WITHOUT NOTICE AT ANY TIME.
 3. DIMENSIONS ARE IN INCHES (mm).

DWG TITLE		CAD FILE		SCALE		SIZE	
PE9437		011316		N/A		A	
FSCM NO. 53919						150	

PE PASTERNAK
 THE ENGINEER'S RF SOURCE

Pasternack Enterprises, Inc.
 P.O. Box 16759 | Irvine | CA | 92623
 Phone: (949) 261-1920 | Fax: (949) 261-7451
 Website: www.pasternack.com | E-Mail: sales@pasternack.com