



## Precision N Male to TNC Male Adapter

### RF Adapters Technical Data Sheet

PE9446

#### Configuration

- N Male Connector 1
- TNC Male Connector 2
- 50 Ohms
- Precision Design
- Straight Body Geometry

#### Features

- Max VSWR of 1.15:1 up to 18 GHz
- N Interface compliant with MIL-C-39012
- TNC Interface compliant with MIL-C-39012
- Gold Plated Beryllium Copper Contact

#### Applications

- Allows Connection Between Series
- General Purpose Test
- Precision Test & Measurement

#### Description

Pasternack's PE9446 precision type N male to TNC male adapter is part of our full line of RF components available for same-day shipping. Our type N to TNC adapter has a male to male gender configuration built of durable stainless steel in a precision design. PE9446 type N male to TNC male adapter operates to 18 GHz. The Pasternack RF adapter provides excellent VSWR of 1.15:1 maximum.

RF adapters are often used to enable connections between two connector types that would otherwise not mate. Certain adapter configurations can also be used to protect connectors on expensive equipment where the number of connect/disconnect cycles is high. An RF, microwave or millimeter wave adapter is connected to the equipment, and the commonly changed connection is made with the adapter which can be easily replaced when it wears out after high usage; such adapters are referred to as connector savers. Pasternack also offers bulkhead, panel mount, hermetically sealed, reverse polarity, and isolated ground adapter varieties to serve all of your RF, microwave and millimeter wave needs.

#### Electrical Specifications

Description	Minimum	Typical	Maximum	Units
Frequency Range	DC		18	GHz
VSWR			1.15:1	

#### Mechanical Specifications

##### Size

Length	1.83 in [46.48 mm]
Width	0.83 in [21.08 mm]
Weight	0.132 lbs [59.87 g]

Click the following link (or enter part number in "SEARCH" on website) to obtain additional part information including price, inventory and certifications: [Precision N Male to TNC Male Adapter PE9446](#)



Precision N Male to TNC Male Adapter

RF Adapters Technical Data Sheet

PE9446

Description	Connector 1	Connector 2
Type	N Male	TNC Male
Polarity	Standard	Standard
Interface Specification	MIL-C-39012	MIL-C-39012
Hex Size		5/8 in.

Mechanical Specification Notes:  
TNC connector is mode free up to 18 GHz.

**Material Specifications**

Description	Connector 1		Connector 2	
	Material	Plating	Material	Plating
Type	N Male		TNC Male	
Contact	Beryllium Copper	Gold	Beryllium Copper	Gold
Body	Passivated Stainless Steel		Passivated Stainless Steel	
Coupling Nut	Passivated Stainless Steel		Passivated Stainless Steel	

**Environmental Specifications**

**Temperature**

Operating Range -65 to +125 deg C

**Compliance Certifications** (see [product page](#) for current document)

**Plotted and Other Data**

Notes:

Click the following link (or enter part number in "SEARCH" on website) to obtain additional part information including price, inventory and certifications: [Precision N Male to TNC Male Adapter PE9446](#)

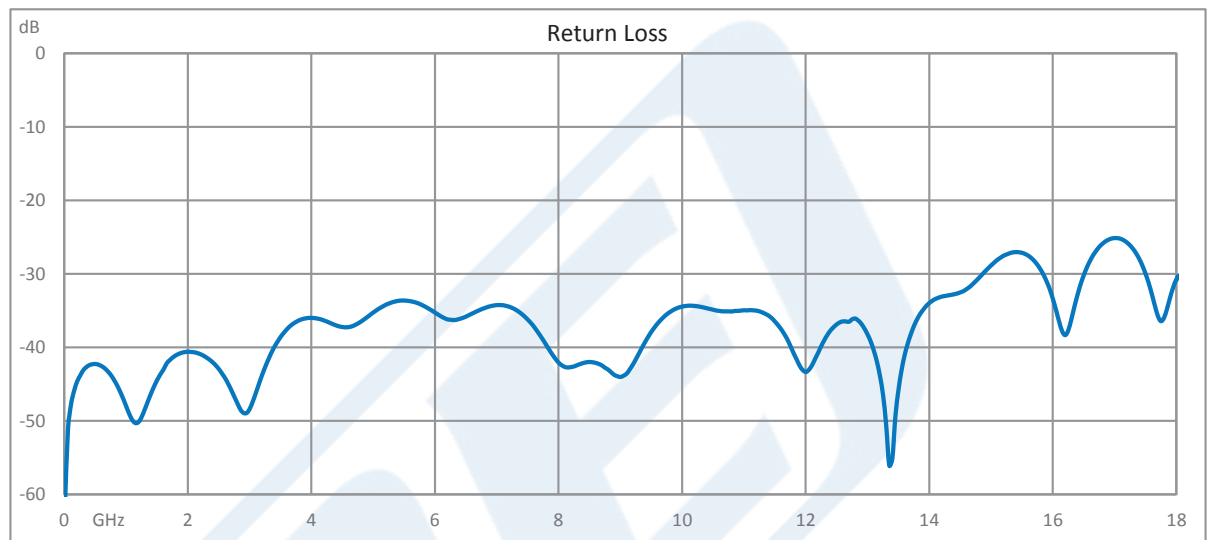


## Precision N Male to TNC Male Adapter

### RF Adapters Technical Data Sheet

PE9446

#### Typical Performance Data



Precision N Male to TNC Male Adapter from Pasternack Enterprises has same day shipment for domestic and International orders. Our RF, microwave and millimeter wave products maintain a 99% availability and are part of the broadest selection in the industry.

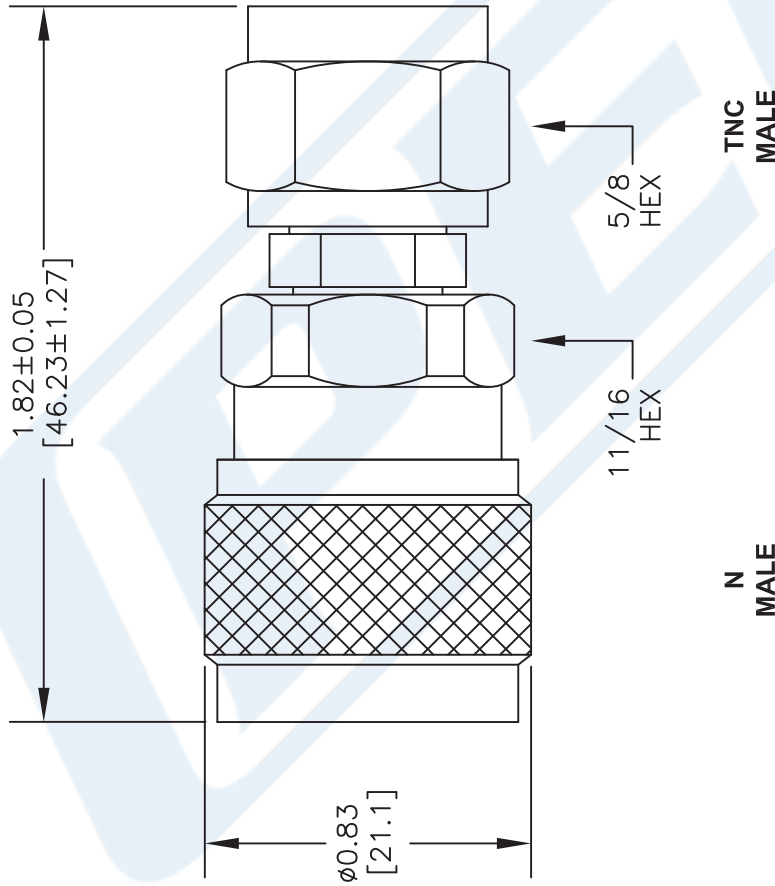
Click the following link (or enter part number in "SEARCH" on website) to obtain additional part information including price, inventory and certifications: [Precision N Male to TNC Male Adapter PE9446](https://www.pasternack.com/n-male-tnc-male-straight-adapter-pe9446-p.aspx)

URL: <https://www.pasternack.com/n-male-tnc-male-straight-adapter-pe9446-p.aspx>

The information contained in this document is accurate to the best of our knowledge and representative of the part described herein. It may be necessary to make modifications to the part and/or the documentation of the part, in order to implement improvements. Pasternack reserves the right to make such changes as required. Unless otherwise stated, all specifications are nominal. Pasternack does not make any representation or warranty regarding the suitability of the part described herein for any particular purpose, and Pasternack does not assume any liability arising out of the use of any part or documentation.

# PE9446 CAD Drawing

## Precision N Male to TNC Male Adapter



NOTES:  
 1. UNLESS OTHERWISE SPECIFIED ALL DIMENSIONS ARE NOMINAL.  
 2. ALL SPECIFICATIONS ARE SUBJECT TO CHANGE WITHOUT NOTICE AT ANY TIME.  
 3. DIMENSIONS ARE IN INCHES [mm].

DWG TITLE	<b>PE9446</b>		
FSCM NO.	53919	CAD FILE	011316
SCALE	N/A	SIZE A	150


**PASTERNAK**  
 THE ENGINEER'S RF SOURCE  
 Pasternack Enterprises, Inc.  
 P.O. Box 16759 | Irvine | CA | 92623  
 Phone: (949) 261-1920 | Fax: (949) 261-7451  
 Website: www.pasternack.com | E-Mail: sales@pasternack.com