



Precision N Female to TNC Male Adapter

RF Adapters Technical Data Sheet

PE9447

Configuration

- N Female Connector 1
- TNC Male Connector 2
- 50 Ohms
- Precision Design
- Straight Body Geometry

Features

- Max VSWR of 1.15:1 up to 18 GHz
- Contact plating according to MIL-G-45204
- Gold over Nickel Plated Beryllium Copper Contact

Applications

- Allows Connection Between Series
- General Purpose Test
- Precision Test & Measurement

Description

Pasternack's PE9447 precision type N female to TNC male adapter is part of our full line of RF components available for same-day shipping. Our type N to TNC adapter has a female to male gender configuration in a precision design. PE9447 type N female to TNC male adapter operates to 18 GHz. The Pasternack RF adapter provides excellent VSWR of 1.15:1 maximum.

RF adapters are often used to enable connections between two connector types that would otherwise not mate. Certain adapter configurations can also be used to protect connectors on expensive equipment where the number of connect/disconnect cycles is high. An RF, microwave or millimeter wave adapter is connected to the equipment, and the commonly changed connection is made with the adapter which can be easily replaced when it wears out after high usage; such adapters are referred to as connector savers. Pasternack also offers bulkhead, panel mount, hermetically sealed, reverse polarity, and isolated ground adapter varieties to serve all of your RF, microwave and millimeter wave needs.

Electrical Specifications

| Description | Minimum | Typical | Maximum | Units |
|-----------------|---------|---------|---------|-------|
| Frequency Range | DC | | 18 | GHz |
| VSWR | | | 1.15:1 | |
| Insertion Loss | | | 0.22 | dB |

Electrical Specification Notes:
Values at 25°C, sea level.
Insertion Loss (dB) = $0.05 \cdot \sqrt{f(\text{GHz})}$.

Mechanical Specifications

| Size | |
|--------|---------------------|
| Length | 1.85 in [46.99 mm] |
| Width | 0.625 in [15.88 mm] |
| Weight | 0.123 lbs [55.79 g] |

Click the following link (or enter part number in "SEARCH" on website) to obtain additional part information including price, inventory and certifications: [Precision N Female to TNC Male Adapter PE9447](#)



Precision N Female to TNC Male Adapter

RF Adapters Technical Data Sheet

PE9447

| Description | Connector 1 | Connector 2 |
|---------------|-------------|-------------|
| Type | N Female | TNC Male |
| Polarity | Standard | Standard |
| Mating Cycles | 500 | 500 |
| Hex Size | | 9/16 in. |

Material Specifications

| Description | Connector 1 | | Connector 2 | |
|-----------------|----------------------------|---------------------------------|----------------------------|---------------------------------|
| | Material | Plating | Material | Plating |
| Type | N Female | | TNC Male | |
| Contact | Beryllium Copper | Gold over Nickel MIL-G-45204 | Beryllium Copper | Gold over Nickel MIL-G-45204 |
| Insulation | PTFE | | PTFE | |
| Outer Conductor | Passivated Stainless Steel | ASTM A380 | | |
| Body | | | Passivated Stainless Steel | ASTM A380 |
| Coupling Nut | | | Passivated Stainless Steel | ASTM A380 |

Environmental Specifications

Temperature

Operating Range -55 to +100 deg C

Vibration
Salt Spray

MIL-STD-202, Method 204, Cond. D (20G's)
MIL-STD-202, Method 101, Cond. B, 5% salt solution

Compliance Certifications (see [product page](#) for current document)

Plotted and Other Data

Notes:

Click the following link (or enter part number in "SEARCH" on website) to obtain additional part information including price, inventory and certifications: [Precision N Female to TNC Male Adapter PE9447](#)



Precision N Female to TNC Male Adapter

RF Adapters Technical Data Sheet

PE9447

Precision N Female to TNC Male Adapter from Pasternack Enterprises has same day shipment for domestic and International orders. Our RF, microwave and millimeter wave products maintain a 99% availability and are part of the broadest selection in the industry.

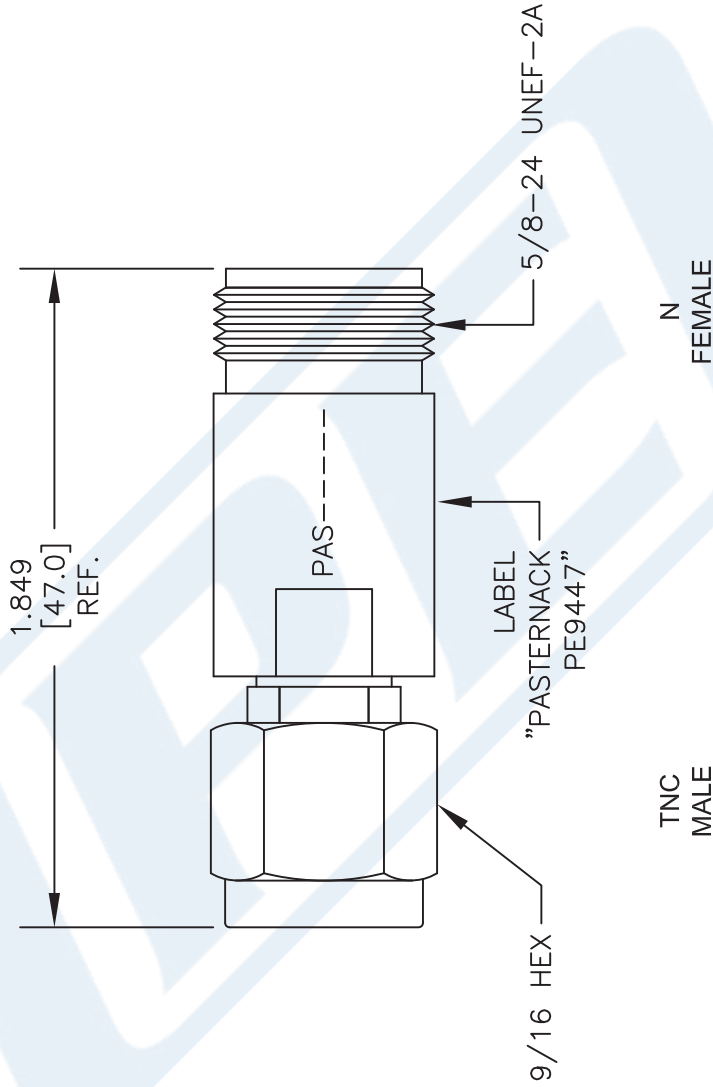
Click the following link (or enter part number in "SEARCH" on website) to obtain additional part information including price, inventory and certifications: [Precision N Female to TNC Male Adapter PE9447](https://www.pasternack.com/n-female-tnc-male-straight-adapter-pe9447-p.aspx)

URL: <https://www.pasternack.com/n-female-tnc-male-straight-adapter-pe9447-p.aspx>

The information contained in this document is accurate to the best of our knowledge and representative of the part described herein. It may be necessary to make modifications to the part and/or the documentation of the part, in order to implement improvements. Pasternack reserves the right to make such changes as required. Unless otherwise stated, all specifications are nominal. Pasternack does not make any representation or warranty regarding the suitability of the part described herein for any particular purpose, and Pasternack does not assume any liability arising out of the use of any part or documentation.

PE9447 CAD Drawing

Precision N Female to TNC Male Adapter



STANDARD TOLERANCES

.X ±0.2
 .XX ±0.1
 .XXX ±0.05

*STANDARD TOLERANCES APPLY ONLY TO DIMENSIONS IN INCHES



Pasternack Enterprises, Inc.
 P.O. Box 16759 | Irvine | CA | 92623
Phone: (949) 261-1920 | **Fax:** (949) 261-7451
Website: www.pasternack.com | **E-Mail:** sales@pasternack.com

DWG TITLE

PE9447

NOTES:
 1. UNLESS OTHERWISE SPECIFIED ALL DIMENSIONS ARE NOMINAL.
 2. ALL SPECIFICATIONS ARE SUBJECT TO CHANGE WITHOUT NOTICE AT ANY TIME.
 3. DIMENSIONS ARE IN INCHES [mm].

FSCM NO. 53919

CAD FILE 082216

SCALE N/A

SIZE A

41742