



## Precision 4 Hole Flange N Female to TNC Female Adapter

### RF Adapters Technical Data Sheet

PE9450

#### Configuration

- N Female Connector 1
- TNC Female Connector 2
- 50 Ohms
- Precision Design
- Straight Body Geometry
- 4 Hole Flange Mount Method

#### Features

- Max VSWR of 1.15:1 up to 18 GHz
- N Interface compliant with MIL-C-39012
- TNC Interface compliant with MIL-C-39012
- Gold Plated Beryllium Copper Contact

#### Applications

- Allows Connection Between Series
- Rack Mounted Equipment
- General Purpose Test
- Precision Test & Measurement

#### Description

Pasternack's PE9450 precision 4 hole flange type N female to TNC female adapter is part of our full line of RF components available for same-day shipping. Our type N to TNC adapter has a female to female gender configuration in a precision design. PE9450 type N female to TNC female adapter operates to 18 GHz. The Pasternack RF adapter provides excellent VSWR of 1.15:1 maximum. This RF type N 4 hole flange to TNC adapter allows designers to create external connections on their product enclosures, and can be used in a variety of other rack mount and panel mount applications.

RF adapters are often used to enable connections between two connector types that would otherwise not mate. Certain adapter configurations can also be used to protect connectors on expensive equipment where the number of connect/disconnect cycles is high. An RF, microwave or millimeter wave adapter is connected to the equipment, and the commonly changed connection is made with the adapter which can be easily replaced when it wears out after high usage; such adapters are referred to as connector savers. Pasternack also offers bulkhead, panel mount, hermetically sealed, reverse polarity, and isolated ground adapter varieties to serve all of your RF, microwave and millimeter wave needs.

#### Electrical Specifications

Description	Minimum	Typical	Maximum	Units
Frequency Range	DC		18	GHz
VSWR			1.15:1	

#### Mechanical Specifications

Size	
Length	1.82 in [46.23 mm]
Width	1 in [25.4 mm]
Height	1 in [25.4 mm]
Weight	0.104 lbs [47.17 g]

Click the following link (or enter part number in "SEARCH" on website) to obtain additional part information including price, inventory and certifications: [Precision 4 Hole Flange N Female to TNC Female Adapter PE9450](#)



Precision 4 Hole Flange N Female to TNC Female Adapter

RF Adapters Technical Data Sheet

PE9450

Description	Connector 1	Connector 2
Type	N Female	TNC Female
Polarity	Standard	Standard
Interface Specification	MIL-C-39012	MIL-C-39012

Mechanical Specification Notes:  
TNC connector is mode free up to 18 GHz.

**Material Specifications**

Description	Connector 1		Connector 2	
	Material	Plating	Material	Plating
Type	N Female		TNC Female	
Contact	Beryllium Copper	Gold	Beryllium Copper	Gold
Outer Conductor	Passivated Stainless Steel		Passivated Stainless Steel	

**Environmental Specifications**

**Temperature**

Operating Range -65 to +125 deg C

**Compliance Certifications** (see [product page](#) for current document)

**Plotted and Other Data**

Notes:

Click the following link (or enter part number in "SEARCH" on website) to obtain additional part information including price, inventory and certifications: [Precision 4 Hole Flange N Female to TNC Female Adapter PE9450](#)

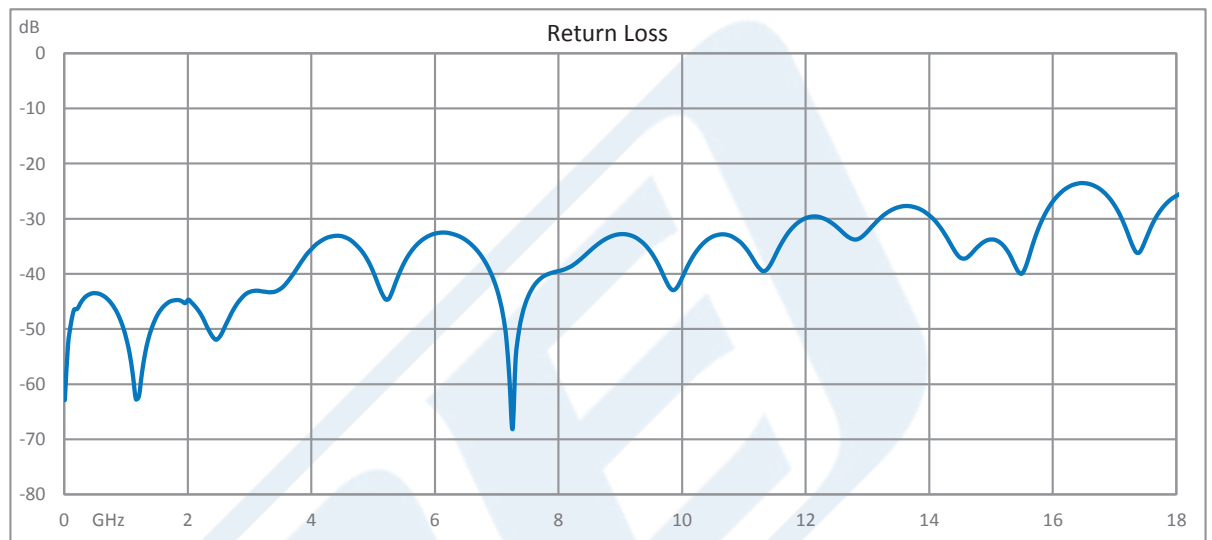


## Precision 4 Hole Flange N Female to TNC Female Adapter

### RF Adapters Technical Data Sheet

PE9450

#### Typical Performance Data



Precision 4 Hole Flange N Female to TNC Female Adapter from Pasternack Enterprises has same day shipment for domestic and International orders. Our RF, microwave and millimeter wave products maintain a 99% availability and are part of the broadest selection in the industry.

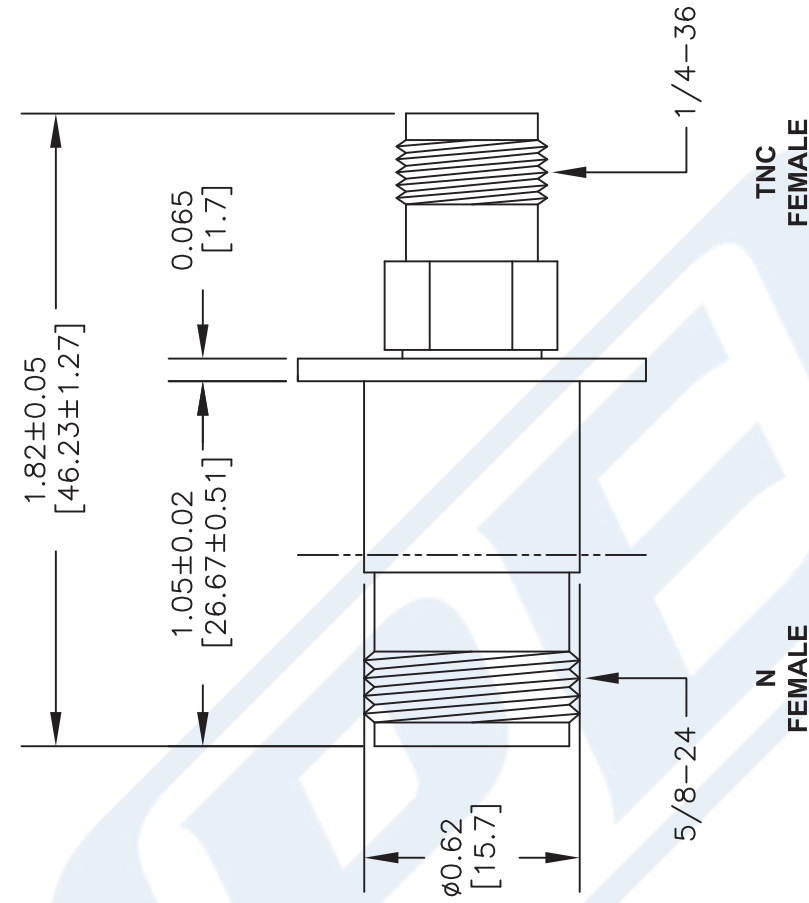
Click the following link (or enter part number in "SEARCH" on website) to obtain additional part information including price, inventory and certifications: [Precision 4 Hole Flange N Female to TNC Female Adapter PE9450](https://www.pasternack.com/n-female-tnc-female-straight-adapter-pe9450-p.aspx)

URL: <https://www.pasternack.com/n-female-tnc-female-straight-adapter-pe9450-p.aspx>

The information contained in this document is accurate to the best of our knowledge and representative of the part described herein. It may be necessary to make modifications to the part and/or the documentation of the part, in order to implement improvements. Pasternack reserves the right to make such changes as required. Unless otherwise stated, all specifications are nominal. Pasternack does not make any representation or warranty regarding the suitability of the part described herein for any particular purpose, and Pasternack does not assume any liability arising out of the use of any part or documentation.

# PE9450 CAD Drawing

Precision 4 Hole Flange N Female to TNC Female Adapter



DWG TITLE

**PE9450**

NOTES:  
 1. UNLESS OTHERWISE SPECIFIED ALL DIMENSIONS ARE NOMINAL.  
 2. ALL SPECIFICATIONS ARE SUBJECT TO CHANGE WITHOUT NOTICE AT ANY TIME.  
 3. DIMENSIONS ARE IN INCHES [mm].

FSCM NO. 53919

CAD FILE 011816

SCALE N/A

SIZE A

150



**PASTERNAK**  
 THE ENGINEER'S RF SOURCE  
 Pasternack Enterprises, Inc.  
 P.O. Box 16759 | Irvine | CA | 92623  
 Phone: (949) 261-1920 | Fax: (949) 261-7451  
 Website: www.pasternack.com | E-Mail: sales@pasternack.com