



## SMA Male to MCX Jack Adapter

### RF Adapters Technical Data Sheet

PE9472

#### Configuration

- SMA Male Connector 1
- MCX Jack Connector 2
- 50 Ohms
- Straight Body Geometry

#### Features

- SMA Interface compliant with MIL-STD-348
- MCX Interface compliant with MIL-C-39012
- Gold Plated Contact
- Contact Plating per MIL-G-45204

#### Applications

- Allows Connection Between Series
- General Purpose Test

#### Description

Pasternack's PE9472 SMA male to MCX jack adapter is part of our full line of RF components available for same-day shipping. The SMA connector mates mechanically with commercially available 3.5mm and 2.92mm (K) connectors. Our SMA to MCX adapter has a male to jack gender configuration.

RF adapters are often used to enable connections between two connector types that would otherwise not mate. Certain adapter configurations can also be used to protect connectors on expensive equipment where the number of connect/disconnect cycles is high. An RF, microwave or millimeter wave adapter is connected to the equipment, and the commonly changed connection is made with the adapter which can be easily replaced when it wears out after high usage; such adapters are referred to as connector savers. Pasternack also offers bulkhead, panel mount, hermetically sealed, reverse polarity, and isolated ground adapter varieties to serve all of your RF, microwave and millimeter wave needs.

#### Mechanical Specifications

<b>Size</b>	
Length	0.777 in [19.74 mm]
Width	0.312 in [7.92 mm]
Weight	0.006 lbs [2.72 g]

Description	Connector 1	Connector 2
Type	SMA Male	MCX Jack
Polarity	Standard	Standard
Interface Specification	MIL-STD-348	MIL-C-39012
Hex Size	5/16 in.	
Mating Torque	3 to 5 in-lbs [0.34 to 0.57 Nm]	

Click the following link (or enter part number in "SEARCH" on website) to obtain additional part information including price, inventory and certifications: [SMA Male to MCX Jack Adapter PE9472](#)



## SMA Male to MCX Jack Adapter

### RF Adapters Technical Data Sheet

PE9472

#### Material Specifications

Description	Connector 1		Connector 2	
	Material	Plating	Material	Plating
Type	SMA Male		MCX Jack	
Contact		Gold MIL-G-45204		Gold MIL-G-45204
Insulation	PTFE		PTFE	
Outer Conductor			Brass	Nickel QQ-N-290
Body	Brass	Nickel QQ-N-290		
Coupling Nut	Brass	Nickel QQ-N-290		

#### Compliance Certifications (see [product page](#) for current document)

SMA Male to MCX Jack Adapter from Pasternack Enterprises has same day shipment for domestic and International orders. Our RF, microwave and millimeter wave products maintain a 99% availability and are part of the broadest selection in the industry.

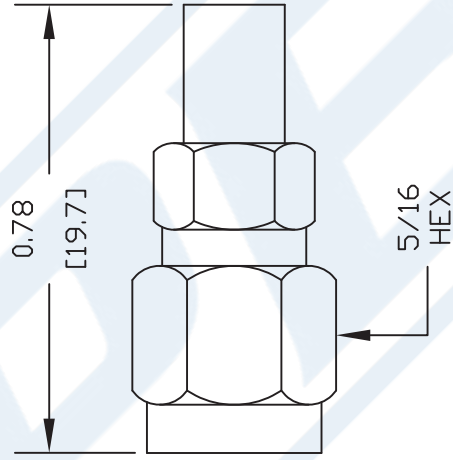
Click the following link (or enter part number in "SEARCH" on website) to obtain additional part information including price, inventory and certifications: [SMA Male to MCX Jack Adapter PE9472](#)

URL: <https://www.pasternack.com/sma-male-mcx-jack-straight-adapter-pe9472-p.aspx>

The information contained in this document is accurate to the best of our knowledge and representative of the part described herein. It may be necessary to make modifications to the part and/or the documentation of the part, in order to implement improvements. Pasternack reserves the right to make such changes as required. Unless otherwise stated, all specifications are nominal. Pasternack does not make any representation or warranty regarding the suitability of the part described herein for any particular purpose, and Pasternack does not assume any liability arising out of the use of any part or documentation.

# PE9472 CAD Drawing

## SMA Male to MCX Jack Adapter



NOTES:  
 1. UNLESS OTHERWISE SPECIFIED ALL DIMENSIONS ARE NOMINAL.  
 2. ALL SPECIFICATIONS ARE SUBJECT TO CHANGE WITHOUT NOTICE AT ANY TIME.  
 3. DIMENSIONS ARE IN INCHES [mm].

DWG TITLE  
**PE9472**

**PASTERNAK ENTERPRISES, INC.**  
 P O BOX 16759, IRVINE, CA 92623  
 PHONE (949) 261-1920 FAX (949) 261-7451  
 WEB ADDRESS: [www.pasternack.com](http://www.pasternack.com)  
 E-MAIL ADDRESS: [sales@pasternack.com](mailto:sales@pasternack.com)  
**COAXIAL & FIBER OPTICS**



REV. -	FSCM NO. 53919	CAD FILE 092302	SCALE N/A	SIZE A	127
--------	----------------	-----------------	-----------	--------	-----