



Bulkhead Mount MCX Jack to MCX Jack Adapter

RF Adapters Technical Data Sheet

PE9474

Configuration

- MCX Jack Connector 1
- MCX Jack Connector 2
- 50 Ohm
- Straight Body Geometry
- Bulkhead Mount Method

Features

- Max VSWR of 1.35:1 up to 3 GHz
- 30μ in. minimum contact plating
- Gold Plated Contact

Applications

- General Purpose Test
- Rack Mounted Equipment
- General Purpose Test
- Rack Mounted Equipment

Description

Pasternack's PE9474 bulkhead MCX jack to MCX jack adapter is part of our full line of RF components available for same-day shipping. Our MCX to MCX adapter has a jack to jack gender configuration. PE9474 MCX jack to MCX jack adapter is gold plated and operates to 3 GHz. The Pasternack RF adapter provides good VSWR of 1.35:1 maximum. This RF MCX bulkhead to MCX adapter allows designers to create external connections on their product enclosures, and can be used in a variety of other rack mount and panel mount applications.

RF adapters are often used to enable connections between two connector types that would otherwise not mate. Certain adapter configurations can also be used to protect connectors on expensive equipment where the number of connect/disconnect cycles is high. An RF, microwave or millimeter wave adapter is connected to the equipment, and the commonly changed connection is made with the adapter which can be easily replaced when it wears out after high usage; such adapters are referred to as connector savers. Pasternack also offers bulkhead, panel mount, hermetically sealed, reverse polarity, and isolated ground adapter varieties to serve all of your RF, microwave and millimeter wave needs.

Electrical Specifications

Description	Minimum	Typical	Maximum	Units
Frequency Range	DC		3	GHz
VSWR			1.35:1	
Operating Voltage (AC)			335	Vrms

Performance by Frequency

Description	F1	F2	F3	F4	F5	Units
Frequency Range	DC to 1					GHz
VSWR, Max	1.22:1					

Click the following link (or enter part number in "SEARCH" on website) to obtain additional part information including price, inventory and certifications: [Bulkhead Mount MCX Jack to MCX Jack Adapter PE9474](#)



Bulkhead Mount MCX Jack to MCX Jack Adapter

RF Adapters Technical Data Sheet

PE9474

Mechanical Specifications

Size

Length	0.74 in [18.8 mm]
Width	0.25 in [6.35 mm]
Weight	0.006 lbs [2.72 g]

Description	Connector 1	Connector 2
Type	MCX Jack	MCX Jack
Polarity	Standard	Standard

Material Specifications

Description	Connector 1		Connector 2	
	Material	Plating	Material	Plating
Type	MCX Jack		MCX Jack	
Contact	Beryllium Copper	Gold 30µ in. minimum	Brass	Gold 30µ in. minimum
Insulation	PTFE		PTFE	
Outer Conductor	Brass	Gold 3µ in. minimum	Brass	Gold
Body	Brass	Gold 3µ in. minimum	Brass	Gold 3µ in. minimum
Washer	Brass	Gold	Brass	Gold

Environmental Specifications

Temperature

Operating Range	-55 to +155 deg C
-----------------	-------------------

Compliance Certifications (see [product page](#) for current document)

Plotted and Other Data

Notes:

Click the following link (or enter part number in "SEARCH" on website) to obtain additional part information including price, inventory and certifications: [Bulkhead Mount MCX Jack to MCX Jack Adapter PE9474](#)



Bulkhead Mount MCX Jack to MCX Jack Adapter

RF Adapters Technical Data Sheet

PE9474

Bulkhead Mount MCX Jack to MCX Jack Adapter from Pasternack Enterprises has same day shipment for domestic and International orders. Our RF, microwave and millimeter wave products maintain a 99.4% availability and are part of the broadest selection in the industry.

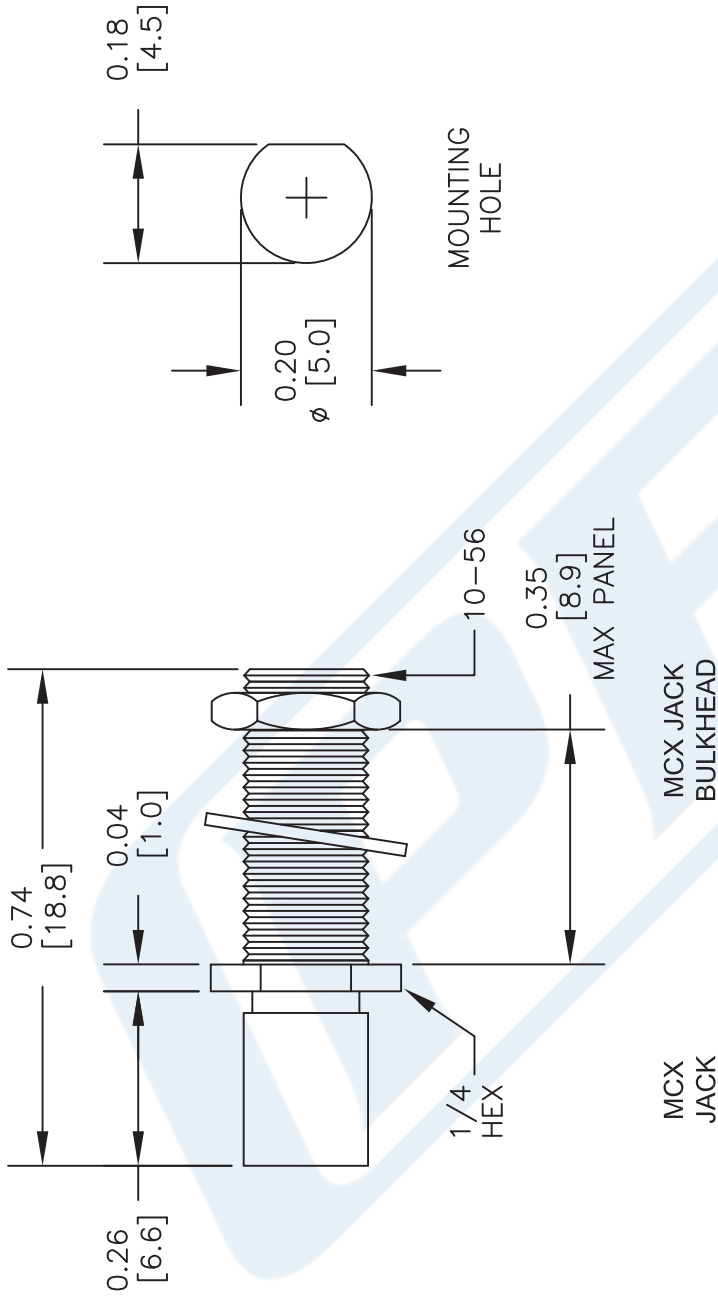
Click the following link (or enter part number in "SEARCH" on website) to obtain additional part information including price, inventory and certifications: [Bulkhead Mount MCX Jack to MCX Jack Adapter PE9474](#)

URL: <https://www.pasternack.com/mcx-jack-mcx-jack-straight-adapter-pe9474-p.aspx>

The information contained in this document is accurate to the best of our knowledge and representative of the part described herein. It may be necessary to make modifications to the part and/or the documentation of the part, in order to implement improvements. Pasternack reserves the right to make such changes as required. Unless otherwise stated, all specifications are nominal. Pasternack does not make any representation or warranty regarding the suitability of the part described herein for any particular purpose, and Pasternack does not assume any liability arising out of the use of any part or documentation.

PE9474 CAD Drawing

Bulkhead Mount MCX Jack to MCX Jack Adapter



STANDARD TOLERANCES	
.X	±0.2
.XX	±0.1
.XXX	±0.05

*STANDARD TOLERANCES APPLY ONLY TO DIMENSIONS IN INCHES

PE PASTERNAK®
 THE ENGINEER'S RF SOURCE
 Pasternack Enterprises, Inc.
 P.O. Box 16759 | Irvine | CA | 92623
Phone: (949) 261-1920 | **Fax:** (949) 261-7451
Website: www.pasternack.com | **E-Mail:** sales@pasternack.com

DWG TITLE
PE9474
 FSCM NO. 53919

NOTES:
 1. UNLESS OTHERWISE SPECIFIED ALL DIMENSIONS ARE NOMINAL.
 2. ALL SPECIFICATIONS ARE SUBJECT TO CHANGE WITHOUT NOTICE AT ANY TIME.
 3. DIMENSIONS ARE IN INCHES [mm].

CAD FILE	061616	SCALE	N/A	SIZE	A	2233
----------	--------	-------	-----	------	---	------