



Precision 7/16 DIN Male to 7mm Sexless Adapter

RF Adapters Technical Data Sheet

PE9509

**Configuration**

- 7/16 DIN Male Connector 1
- 7mm Sexless Connector 2
- 50 Ohms
- Precision Design
- Straight Body Geometry

**Electrical Specifications**

Description	Minimum	Typical	Maximum	Units
Frequency Range	DC		7	GHz
VSWR			1.35:1	

**Mechanical Specifications**

**Size**

Length	2.23 in [56.64 mm]
Width	1.25 in [31.75 mm]
Weight	0.405 lbs [183.7 g]

Description	Connector 1	Connector 2
Type	7/16 DIN Male	7mm Sexless
Polarity	Standard	Standard
Interface Specification		IEEE STD 287
Hex Size	1 1/4 in.	
Mating Torque	221 in-lbs [24.97 Nm] max	

**Environmental Specifications**

**Temperature**

Operating Range	-65 to +125 deg C
-----------------	-------------------

**Compliance Certifications** (visit [www.Pasternack.com](http://www.Pasternack.com) for current document)

RoHS Compliant	
REACH Compliant	12/17/2014

Click the following link (or enter part number in "SEARCH" on website) to obtain additional part information including price, inventory and certifications: [Precision 7/16 DIN Male to 7mm Sexless Adapter PE9509](#)



## Precision 7/16 DIN Male to 7mm Sexless Adapter

### RF Adapters Technical Data Sheet

PE9509

#### Plotted and Other Data

Notes:

Precision 7/16 DIN Male to 7mm Sexless Adapter from Pasternack Enterprises has same day shipment for domestic and International orders. Our RF, microwave and millimeter wave products maintain a 99% availability and are part of the broadest selection in the industry.

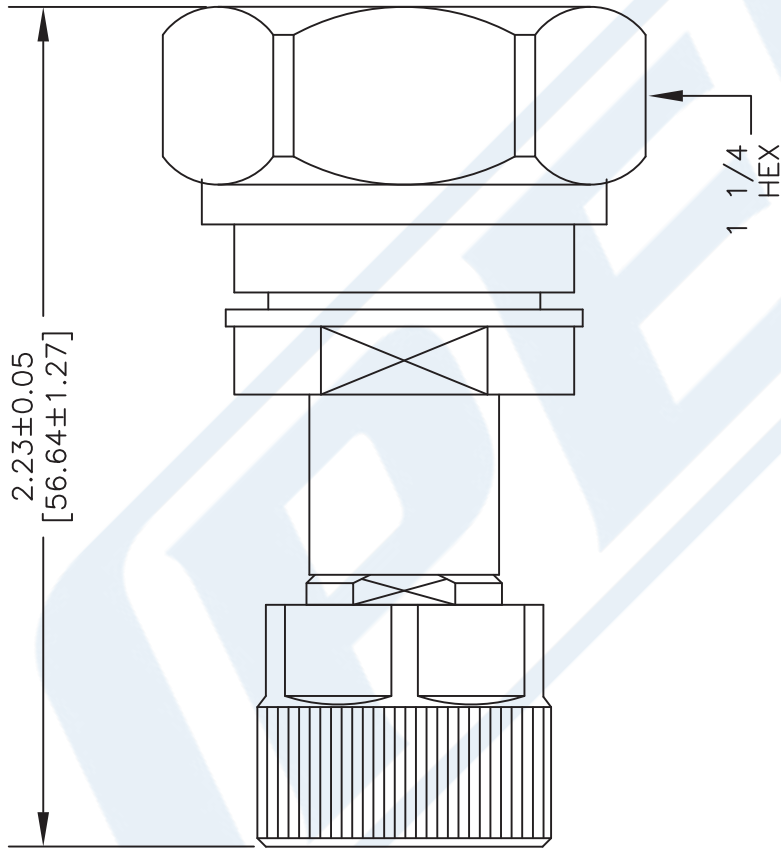
Click the following link (or enter part number in "SEARCH" on website) to obtain additional part information including price, inventory and certifications: [Precision 7/16 DIN Male to 7mm Sexless Adapter PE9509](#)

URL: <http://www.pasternack.com/7-16-din-male-7mm-sexless-straight-adapter-pe9509-p.aspx>

The information contained in this document is accurate to the best of our knowledge and representative of the part described herein. It may be necessary to make modifications to the part and/or the documentation of the part, in order to implement improvements. Pasternack reserves the right to make such changes as required. Unless otherwise stated, all specifications are nominal. Pasternack does not make any representation or warranty regarding the suitability of the part described herein for any particular purpose, and Pasternack does not assume any liability arising out of the use of any part or documentation.

# PE9509 CAD Drawing

Precision 7/16 DIN Male to 7mm Sexless Adapter



DWG TITLE

**PE9509**

FSCM NO. 53919

NOTES:  
1. UNLESS OTHERWISE SPECIFIED ALL DIMENSIONS ARE NOMINAL.  
2. ALL SPECIFICATIONS ARE SUBJECT TO CHANGE WITHOUT NOTICE AT ANY TIME.  
3. DIMENSIONS ARE IN INCHES [mm].

CAD FILE 030416

SCALE N/A

SIZE A

2233



Pasternack Enterprises, Inc.  
P.O. Box 16759 | Irvine | CA | 92623  
Phone: (949) 261-1920 | Fax: (949) 261-7451  
Website: www.pasternack.com | E-Mail: sales@pasternack.com