



Precision 7/16 DIN Female to 7mm Sexless Adapter

TECHNICAL DATA SHEET

PE9510

Precision 7/16 DIN Female to 7mm Sexless Adapter

Configuration

Connector 1	7/16 DIN Female
Impedance 1	50 Ohms
Connector 2	7mm Sexless
Impedance 2	50 Ohms
Connector Specification 2	IEEE STD 287
Adapter Design	Precision
Body Style	Straight

Electrical Specifications

Frequency Range, GHz	DC to 7.5
Maximum VSWR	1.35:1

Mechanical Specifications

Temperature

Operating Range, deg C	-65 to +125
------------------------	-------------

Size

Length, in [mm]	2.36 [59.94]
Width/Dia., in [mm]	1.14 [28.96]

Connector 1

Type	7/16 DIN Female
------	-----------------

Connector 2

Type	7mm Sexless
------	-------------

Compliance Certifications (visit www.Pasternack.com for current document)

RoHS Compliant	Yes
----------------	-----

Plotted and Other Data

Notes:	Values at 25 °C, sea level
--------	----------------------------

Precision 7/16 DIN Female to 7mm Sexless Adapter from Pasternack Enterprises has same day shipment for domestic and International orders. Our RF, microwave and fiber optic products maintain a 99% availability and are part of the broadest selection in the industry.

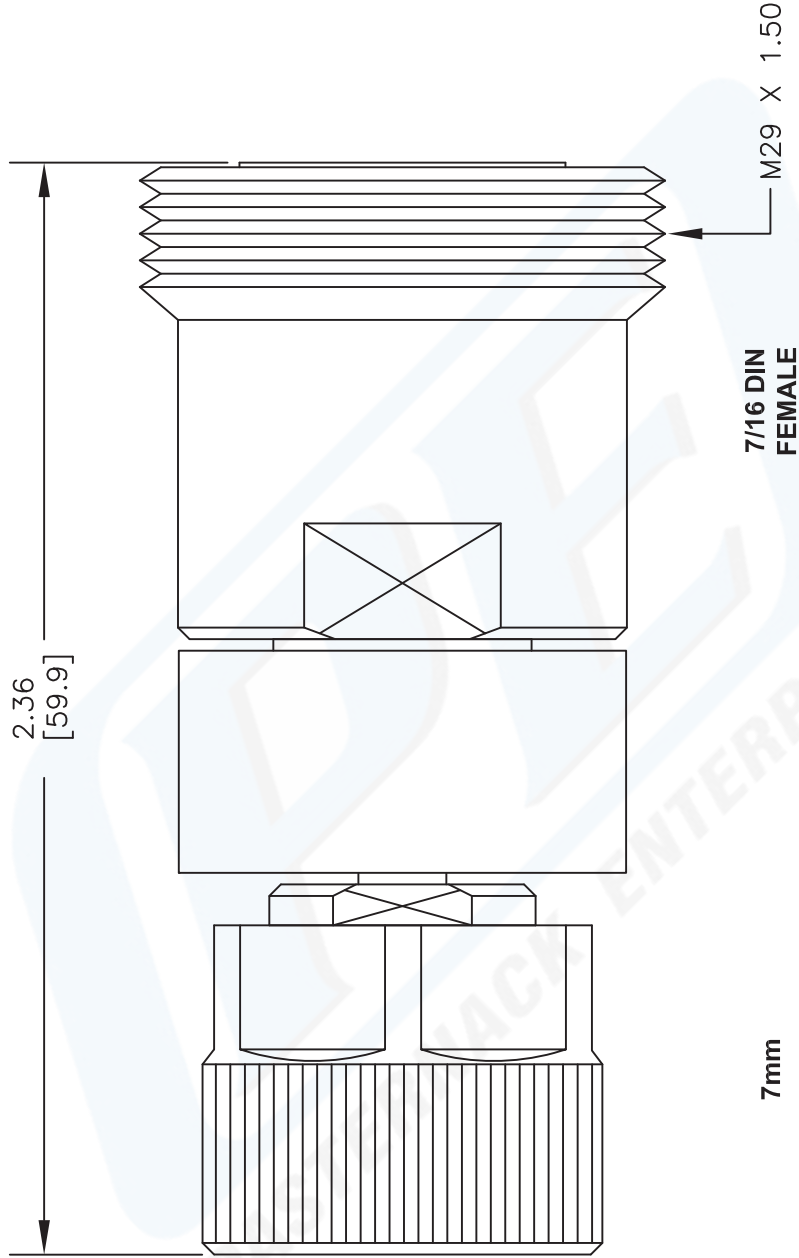
Click the following link (or enter part number in "SEARCH" on website) to obtain additional part information including price, inventory and certifications: [Precision 7/16 DIN Female to 7mm Sexless Adapter PE9510](#)

URL: <http://www.pasternack.com/7-16-din-female-7mm-sexless-straight-adapter-pe9510-p.aspx>

The information contained in this document is accurate to the best of our knowledge and representative of the part described herein. It may be necessary to make modifications to the part and/or the documentation of the part, in order to implement improvements. Pasternack reserves the right to make such changes as required. Unless otherwise stated, all specifications are nominal.

PE9510 CAD Drawing

Precision 7/16 DIN Female to 7mm Sexless Adapter



DWG TITLE

PE9510

FSCM NO. 53919

CAD FILE 092612-A

SCALE N/A

SIZE A

2233

NOTES:
1. UNLESS OTHERWISE SPECIFIED ALL DIMENSIONS ARE NOMINAL.
2. ALL SPECIFICATIONS ARE SUBJECT TO CHANGE WITHOUT NOTICE AT ANY TIME.
3. DIMENSIONS ARE IN INCHES [mm].

PE PASTERNAK®

Pasternack Enterprises, Inc.

P.O. Box 16759 | Irvine | CA | 92623

Phone: (949) 261-1920 | Fax: (949) 261-7451

Website: www.pasternack.com | E-Mail: sales@pasternack.com