



Precision N Male to N Female Radius Right Angle Adapter

TECHNICAL DATA SHEET

PE9515

Precision N Male to N Female Radius Right Angle Adapter

Configuration

Connector 1	N Male
Impedance 1	50 Ohms
Connector Specification 1	MIL-STD-348
Connector 2	N Female
Impedance 2	50 Ohms
Connector Specification 2	MIL-STD-348
Adapter Design	Precision
Body Style	Radius Right Angle

Electrical Specifications

Frequency Range, GHz	DC to 18
Maximum VSWR	1.3:1

Frequency 1

Frequency, GHz	DC to 11
VSWR	1.2:1

Frequency 2

Frequency, GHz	11 to 18
VSWR	1.3:1

Mechanical Specifications

Size

Length, in [mm]	1.455 [36.96]
Width/Dia., in [mm]	1.42 [36.07]
Height, in [mm]	0.813 [20.65]

Connector 1

Type	N Male
Inner Conductor Material and Plating	Beryllium Copper, Gold
Inner Conductor Plating Specification	MIL-G-45204, Type II, Class 2
Coupling Nut Material and Plating	Brass, Nickel
Body Material and Plating	Passivated Stainless Steel
Body Plating Specification	QQ-P-35
Dielectric Type	Teflon

Connector 2

Type	N Female
Inner Conductor Material and Plating	Beryllium Copper, Gold
Inner Conductor Plating Specification	MIL-G-45204, Type II, Class 2

Click the following link (or enter part number in "SEARCH" on website) to obtain additional part information including price, inventory and certifications: [Precision N Male to N Female Radius Right Angle Adapter PE9515](#)

The information contained in this document is accurate to the best of our knowledge and representative of the part described herein. It may be necessary to make modifications to the part and/or the documentation of the part, in order to implement improvements. Pasternack reserves the right to make such changes as required. Unless otherwise stated, all specifications are nominal.



Precision N Male to N Female Radius Right Angle Adapter

TECHNICAL DATA SHEET

PE9515

Body Material and Plating
Body Plating Specification
Dielectric Type

Passivated Stainless Steel
QQ-P-35
Teflon

Compliance Certifications (visit www.Pasternack.com for current document)

RoHS Compliant

Yes

Plotted and Other Data

Notes:

Values at 25 °C, sea level

Precision N Male to N Female Radius Right Angle Adapter from Pasternack Enterprises has same day shipment for domestic and International orders. Our RF, microwave and fiber optic products maintain a 99% availability and are part of the broadest selection in the industry.

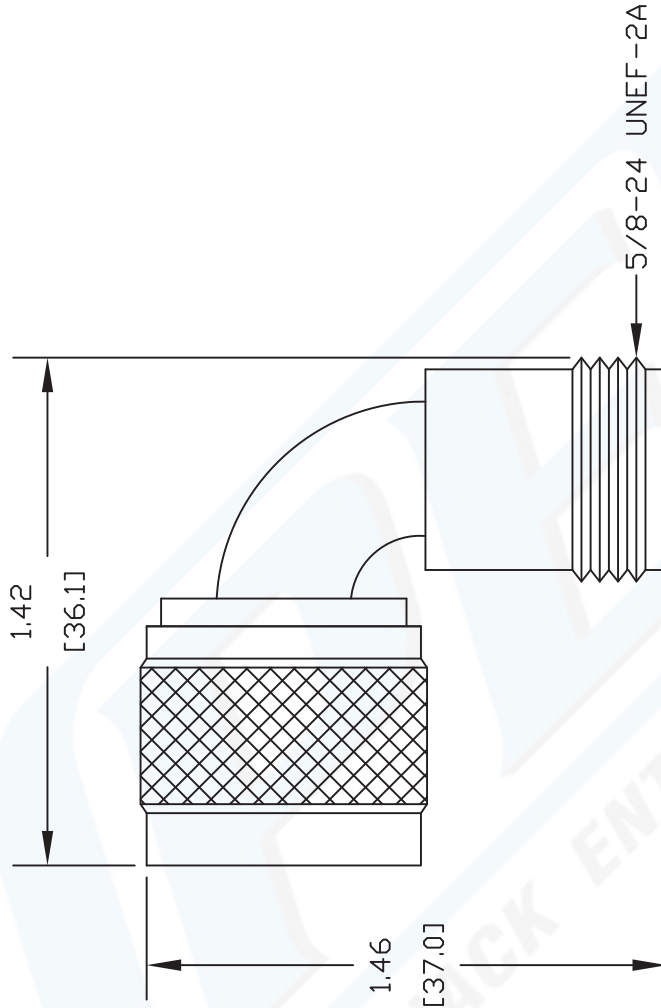
Click the following link (or enter part number in "SEARCH" on website) to obtain additional part information including price, inventory and certifications: [Precision N Male to N Female Radius Right Angle Adapter PE9515](#)

URL: <http://www.pasternack.com/n-male-n-female-radius-right-angle-adapter-pe9515-p.aspx>

The information contained in this document is accurate to the best of our knowledge and representative of the part described herein. It may be necessary to make modifications to the part and/or the documentation of the part, in order to implement improvements. Pasternack reserves the right to make such changes as required. Unless otherwise stated, all specifications are nominal.

PE9515 CAD Drawing

Precision N Male to N Female Radius Right Angle Adapter



DWG TITLE

PE9515

NOTES:
 1. UNLESS OTHERWISE SPECIFIED ALL DIMENSIONS ARE NOMINAL.
 2. ALL SPECIFICATIONS ARE SUBJECT TO CHANGE WITHOUT NOTICE AT ANY TIME.
 3. DIMENSIONS ARE IN INCHES [mm].

REV. -

FSCM NO. 53919

CAD FILE xxxxxx

SCALE N/A

SIZE A

127



PASTERNAK®
 Pasternack Enterprises, Inc.
 P.O. Box 16759 | Irvine | CA | 92623

Phone: (949) 261-1920 | Fax: (949) 261-7451

Website: www.pasternack.com | E-Mail: sales@pasternack.com