



TNC Female to MCX Jack Bulkhead Adapter 1.163 inch Overall Length

RF Adapters Technical Data Sheet

PE9521

Configuration

- TNC Female Connector 1
- MCX Jack Connector 2
- 50 Ohms
- Straight Body Geometry
- Bulkhead Mount Method

Features

- TNC Interface compliant with MIL-STD-348
- MCX Interface compliant with MIL-C-39012
- Gold Plated Contact
- Contact Plating per MIL-G-45204

Applications

- Allows Connection Between Series
- General Purpose Test
- Rack Mounted Equipment

Description

Pasternack's PE9521 TNC female to MCX jack bulkhead adapter is part of our full line of RF components available for same-day shipping. Our TNC to MCX adapter has a female to jack gender configuration. This RF TNC to MCX bulkhead adapter allows designers to create external connections on their product enclosures, and can be used in a variety of other rack mount and panel mount applications.

RF adapters are often used to enable connections between two connector types that would otherwise not mate. Certain adapter configurations can also be used to protect connectors on expensive equipment where the number of connect/disconnect cycles is high. An RF, microwave or millimeter wave adapter is connected to the equipment, and the commonly changed connection is made with the adapter which can be easily replaced when it wears out after high usage; such adapters are referred to as connector savers. Pasternack also offers bulkhead, panel mount, hermetically sealed, reverse polarity, and isolated ground adapter varieties to serve all of your RF, microwave and millimeter wave needs.

Mechanical Specifications

| | |
|-------------|---------------------|
| Size | |
| Length | 1.163 in [29.54 mm] |
| Width | 0.5 in [12.7 mm] |
| Weight | 0.02 lbs [9.07 g] |

| Description | Connector 1 | Connector 2 |
|-------------------------|-------------|-------------|
| Type | TNC Female | MCX Jack |
| Polarity | Standard | Standard |
| Interface Specification | MIL-STD-348 | MIL-C-39012 |

Click the following link (or enter part number in "SEARCH" on website) to obtain additional part information including price, inventory and certifications: [TNC Female to MCX Jack Bulkhead Adapter 1.163 inch Overall Length PE9521](#)



TNC Female to MCX Jack Bulkhead
 Adapter 1.163 inch Overall Length

RF Adapters Technical Data Sheet

PE9521

Material Specifications

| Description | Connector 1 | | Connector 2 | |
|-----------------|-------------|---------------------|-------------|---------------------|
| | Material | Plating | Material | Plating |
| Type | TNC Female | | MCX Jack | |
| Contact | | Gold MIL-G-45204 | | Gold MIL-G-45204 |
| Insulation | PTFE | | PTFE | |
| Outer Conductor | Brass | Nickel QQ-N-290 | Brass | Nickel QQ-N-290 |

Environmental Specifications

Temperature

Operating Range -65 to +165 deg C

Compliance Certifications (see [product page](#) for current document)

Plotted and Other Data

Notes:

TNC Female to MCX Jack Bulkhead Adapter 1.163 inch Overall Length from Pasternack Enterprises has same day shipment for domestic and International orders. Our RF, microwave and millimeter wave products maintain a 99% availability and are part of the broadest selection in the industry.

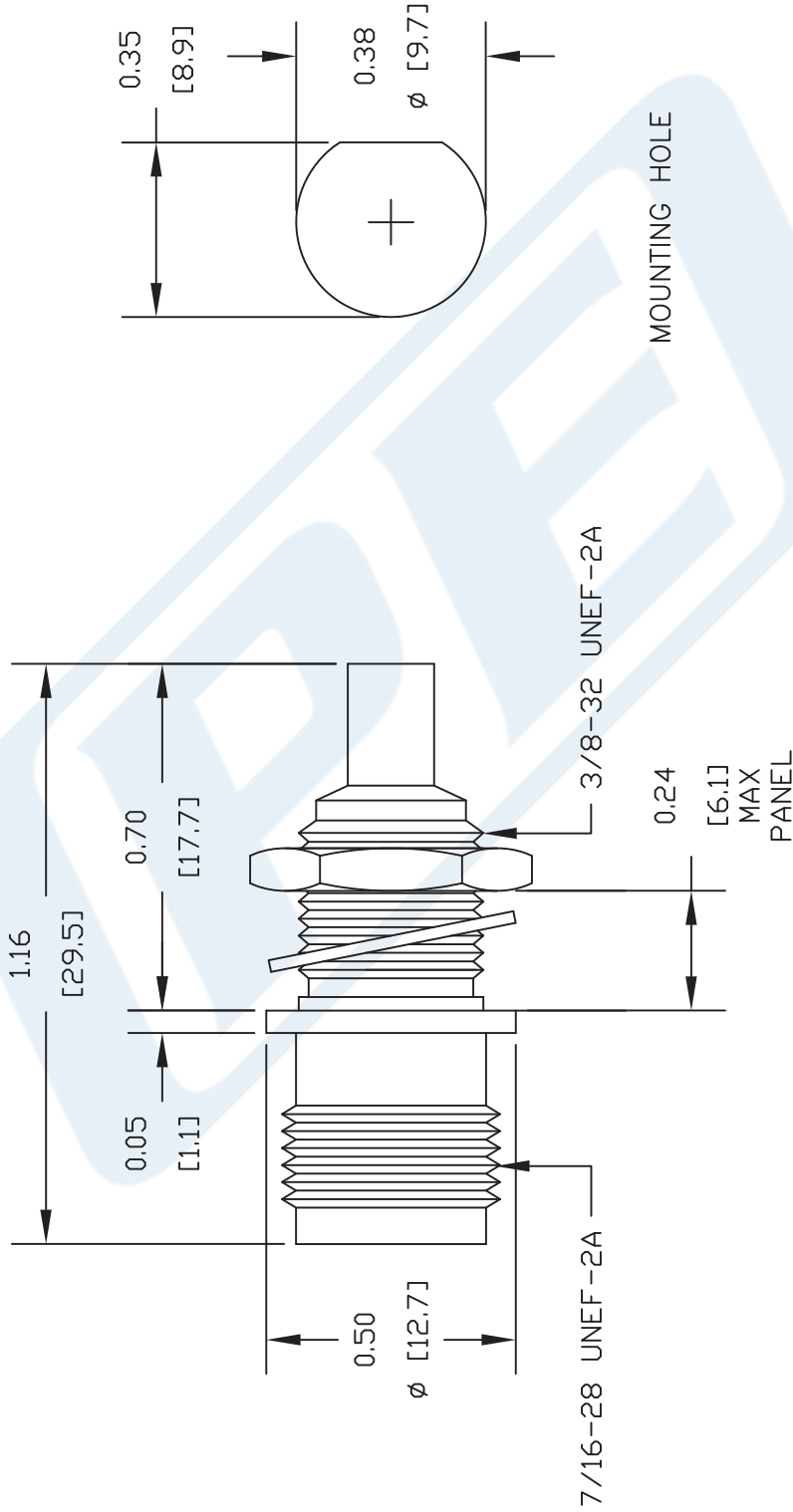
Click the following link (or enter part number in "SEARCH" on website) to obtain additional part information including price, inventory and certifications: [TNC Female to MCX Jack Bulkhead Adapter 1.163 inch Overall Length PE9521](#)

URL: <https://www.pasternack.com/tnc-female-mcx-jack-straight-adapter-pe9521-p.aspx>

The information contained in this document is accurate to the best of our knowledge and representative of the part described herein. It may be necessary to make modifications to the part and/or the documentation of the part, in order to implement improvements. Pasternack reserves the right to make such changes as required. Unless otherwise stated, all specifications are nominal. Pasternack does not make any representation or warranty regarding the suitability of the part described herein for any particular purpose, and Pasternack does not assume any liability arising out of the use of any part or documentation.

PE9521 CAD Drawing

TNC Female to MCX Jack Bulkhead Adapter 1.163 inch Overall Length



NOTES:
 1. UNLESS OTHERWISE SPECIFIED ALL DIMENSIONS ARE NOMINAL.
 2. ALL SPECIFICATIONS ARE SUBJECT TO CHANGE WITHOUT NOTICE AT ANY TIME.
 3. DIMENSIONS ARE IN INCHES [mm].

DWG TITLE
PE9521

PASTERNAK ENTERPRISES, INC.
 P O BOX 16759, IRVINE, CA 92623
 PHONE (949) 261-1920 FAX (949) 261-7451
 WEB ADDRESS: www.pasternack.com
 E-MAIL ADDRESS: sales@pasternack.com
COAXIAL & FIBER OPTICS



REV. -

FSCM NO. 53919

CAD FILE 092502

SCALE N/A

SIZE A

127