



SMA Female to RP-SMA Male Adapter

RF Adapters Technical Data Sheet

PE9533

Configuration

- SMA Female Connector 1
- SMA Male Reverse Polarity Connector 2
- 50 Ohm
- Straight Body Geometry

Features

- Max VSWR of 1.25:1 up to 18 GHz
- SMA interface compliant with MIL-STD-348
- Contact plating according to MIL-G-45204
- Gold Plated Beryllium Copper Contact
- Max VSWR of 1.25:1 up to 18 GHz
- SMA Interface compliant with MIL-STD-348
- Gold Plated Beryllium Copper Contact
- Contact Plating per MIL-G-45204

Applications

- General Purpose Test
- General Purpose Test

Description

Pasternack's PE9533 SMA female to RP SMA male adapter is part of our full line of RF components available for same-day shipping. The SMA connector mates mechanically with commercially available 3.5mm and 2.92mm (K) connectors. Our SMA to reverse polarity SMA adapter has a female to male gender configuration. PE9533 SMA female to reverse polarity SMA male adapter operates to 18 GHz. The Pasternack RF adapter provides excellent VSWR of 1.25:1 maximum.

RF adapters are often used to enable connections between two connector types that would otherwise not mate. Certain adapter configurations can also be used to protect connectors on expensive equipment where the number of connect/disconnect cycles is high. An RF, microwave or millimeter wave adapter is connected to the equipment, and the commonly changed connection is made with the adapter which can be easily replaced when it wears out after high usage; such adapters are referred to as connector savers. Pasternack also offers bulkhead, panel mount, hermetically sealed, reverse polarity, and isolated ground adapter varieties to serve all of your RF, microwave and millimeter wave needs.

Electrical Specifications

Description	Minimum	Typical	Maximum	Units
Frequency Range	DC		18	GHz
VSWR			1.25:1	
Insulation Resistance	5,000			MOhms

Electrical Specification Notes:
Values at 25°C, sea level

Mechanical Specifications

Size	
Length	0.72 in [18.29 mm]
Width	0.312 in [7.92 mm]
Weight	0.008 lbs [3.63 g]

Click the following link (or enter part number in "SEARCH" on website) to obtain additional part information including price, inventory and certifications: [SMA Female to RP-SMA Male Adapter PE9533](#)



SMA Female to RP-SMA Male Adapter

RF Adapters Technical Data Sheet

PE9533

Description	Connector 1	Connector 2
Type	SMA Female	SMA Male
Polarity	Standard	Reverse Polarity
Interface Specification	MIL-STD-348	MIL-STD-348
Hex Size		5/16 in.
Mating Torque		3 to 5 in-lbs 0.34 to 0.57 Nm

Material Specifications

Description	Connector 1		Connector 2	
	Material	Plating	Material	Plating
Type	SMA Female		SMA Male Reverse Polarity	
Contact	Beryllium Copper	Gold MIL-G-45204	Beryllium Copper	Gold MIL-G-45204
Insulation	PTFE		PTFE	
Outer Conductor	Passivated Stainless Steel			
Body			Brass	Nickel
Coupling Nut			Brass	Nickel

Environmental Specifications

Temperature

Operating Range -65 to +165 deg C

Compliance Certifications (see [product page](#) for current document)

Plotted and Other Data

Notes:

Click the following link (or enter part number in "SEARCH" on website) to obtain additional part information including price, inventory and certifications: [SMA Female to RP-SMA Male Adapter PE9533](#)



SMA Female to RP-SMA Male Adapter

RF Adapters Technical Data Sheet

PE9533

SMA Female to RP-SMA Male Adapter from Pasternack Enterprises has same day shipment for domestic and International orders. Our RF, microwave and millimeter wave products maintain a 99.4% availability and are part of the broadest selection in the industry.

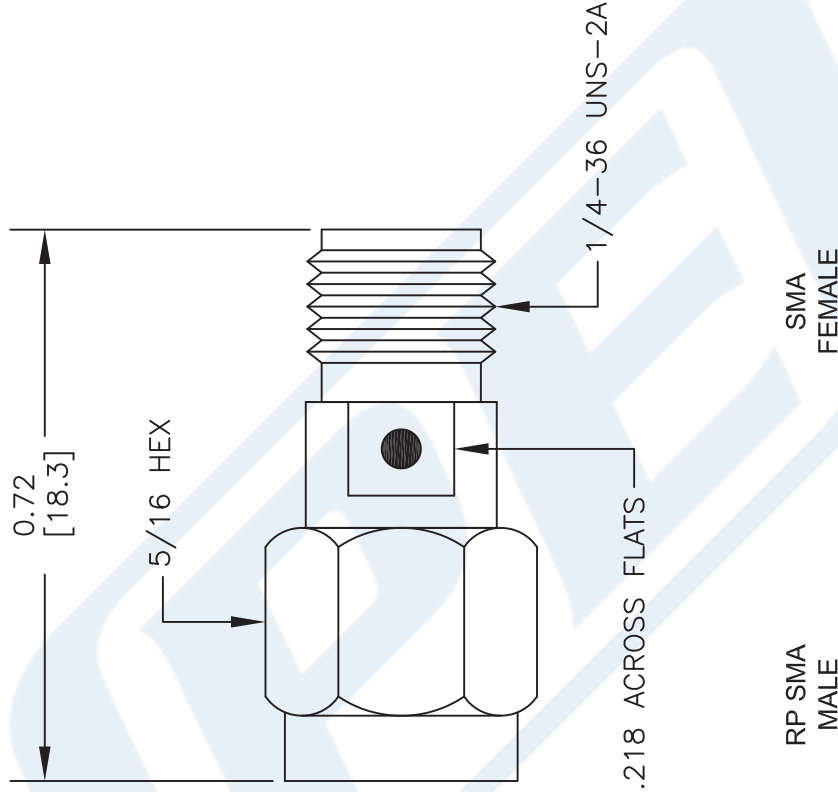
Click the following link (or enter part number in "SEARCH" on website) to obtain additional part information including price, inventory and certifications: [SMA Female to RP-SMA Male Adapter PE9533](#)

URL: <https://www.pasternack.com/sma-female-sma-male-straight-adapter-pe9533-p.aspx>

The information contained in this document is accurate to the best of our knowledge and representative of the part described herein. It may be necessary to make modifications to the part and/or the documentation of the part, in order to implement improvements. Pasternack reserves the right to make such changes as required. Unless otherwise stated, all specifications are nominal. Pasternack does not make any representation or warranty regarding the suitability of the part described herein for any particular purpose, and Pasternack does not assume any liability arising out of the use of any part or documentation.

PE9533 CAD Drawing

SMA Female to RP-SMA Male Adapter



STANDARD TOLERANCES	
.X	±0.2
.XX	±0.1
.XXX	±0.05

*STANDARD TOLERANCES APPLY ONLY TO DIMENSIONS IN INCHES

PE9533 DWG TITLE		NOTES: 1. UNLESS OTHERWISE SPECIFIED ALL DIMENSIONS ARE NOMINAL. 2. ALL SPECIFICATIONS ARE SUBJECT TO CHANGE WITHOUT NOTICE AT ANY TIME. 3. DIMENSIONS ARE IN INCHES [mm].	
PE PASTERNAK® THE ENGINEER'S RF SOURCE Pasternack Enterprises, Inc. P.O. Box 16759 Irvine CA 92623 Phone: (949) 261-1920 Fax: (949) 261-7451 Website: www.pasternack.com E-Mail: sales@pasternack.com		CAD FILE 110416	SCALE N/A
FSCM NO. 53919		SIZE A	41742