



## N Female to C Female Adapter

### RF Adapters Technical Data Sheet

PE9539

#### Configuration

- N Female Connector 1
- C Female Connector 2
- 50 Ohms
- Straight Body Geometry

#### Features

- N Interface compliant with MIL-STD-348
- C Interface compliant with MIL-STD-348
- Gold Plated Contact
- Contact Plating per MIL-G-45204

#### Applications

- Allows Connection Between Series
- General Purpose Test

#### Description

Pasternack's PE9539 type N female to type C female adapter is part of our full line of RF components available for same-day shipping. Our type N to type C adapter has a female to female gender configuration.

RF adapters are often used to enable connections between two connector types that would otherwise not mate. Certain adapter configurations can also be used to protect connectors on expensive equipment where the number of connect/disconnect cycles is high. An RF, microwave or millimeter wave adapter is connected to the equipment, and the commonly changed connection is made with the adapter which can be easily replaced when it wears out after high usage; such adapters are referred to as connector savers. Pasternack also offers bulkhead, panel mount, hermetically sealed, reverse polarity, and isolated ground adapter varieties to serve all of your RF, microwave and millimeter wave needs.

#### Mechanical Specifications

##### Size

|        |                     |
|--------|---------------------|
| Length | 1.55 in [39.37 mm]  |
| Width  | 0.697 in [17.7 mm]  |
| Weight | 0.096 lbs [43.54 g] |

| Description             | Connector 1 | Connector 2 |
|-------------------------|-------------|-------------|
| Type                    | N Female    | C Female    |
| Polarity                | Standard    | Standard    |
| Interface Specification | MIL-STD-348 | MIL-STD-348 |

Click the following link (or enter part number in "SEARCH" on website) to obtain additional part information including price, inventory and certifications: [N Female to C Female Adapter PE9539](#)



## N Female to C Female Adapter

### RF Adapters Technical Data Sheet

PE9539

#### Material Specifications

| Description     | Connector 1 |                     | Connector 2 |                     |
|-----------------|-------------|---------------------|-------------|---------------------|
|                 | Material    | Plating             | Material    | Plating             |
| Type            | N Female    |                     | C Female    |                     |
| Contact         |             | Gold<br>MIL-G-45204 |             | Gold<br>MIL-G-45204 |
| Insulation      | PTFE        |                     | PTFE        |                     |
| Outer Conductor | Brass       | Nickel<br>QQ-N-290  | Brass       | Nickel<br>QQ-N-290  |

#### Compliance Certifications (see [product page](#) for current document)

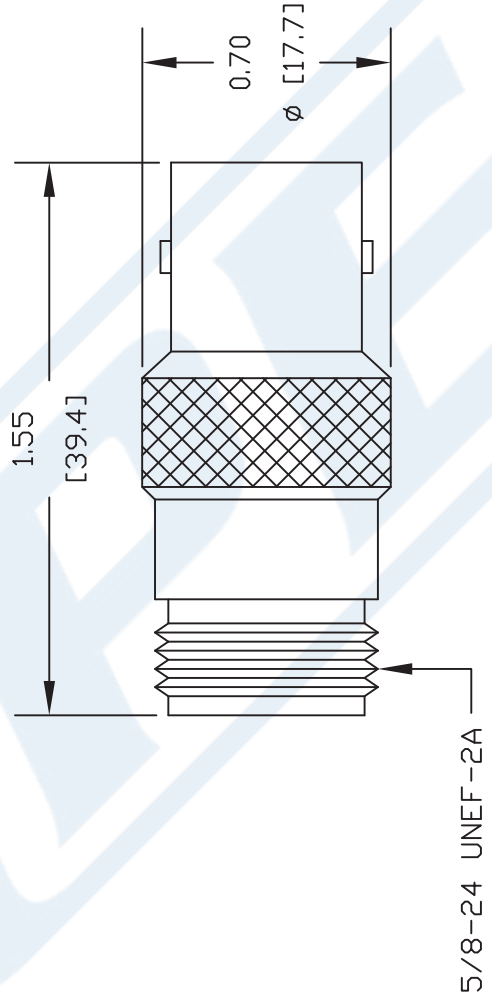
N Female to C Female Adapter from Pasternack Enterprises has same day shipment for domestic and International orders. Our RF, microwave and millimeter wave products maintain a 99% availability and are part of the broadest selection in the industry.

Click the following link (or enter part number in "SEARCH" on website) to obtain additional part information including price, inventory and certifications: [N Female to C Female Adapter PE9539](#)

URL: <https://www.pasternack.com/n-female-c-female-straight-adapter-pe9539-p.aspx>

The information contained in this document is accurate to the best of our knowledge and representative of the part described herein. It may be necessary to make modifications to the part and/or the documentation of the part, in order to implement improvements. Pasternack reserves the right to make such changes as required. Unless otherwise stated, all specifications are nominal. Pasternack does not make any representation or warranty regarding the suitability of the part described herein for any particular purpose, and Pasternack does not assume any liability arising out of the use of any part or documentation.

**PE9539 CAD Drawing**  
N Female to C Female Adapter



NOTES:  
1. UNLESS OTHERWISE SPECIFIED ALL DIMENSIONS ARE NOMINAL.  
2. ALL SPECIFICATIONS ARE SUBJECT TO CHANGE WITHOUT NOTICE AT ANY TIME.  
3. DIMENSIONS ARE IN INCHES [mm].

DWG TITLE  
**PE9539**

**PASTERNAK ENTERPRISES, INC.**  
P.O. BOX 16759, IRVINE, CA 92623  
PHONE (949) 261-1920 FAX (949) 261-7451  
WEB ADDRESS: [www.pasternack.com](http://www.pasternack.com)  
E-MAIL ADDRESS: [sales@pasternack.com](mailto:sales@pasternack.com)  
**COAXIAL & FIBER OPTICS**



|        |                |                 |           |        |     |
|--------|----------------|-----------------|-----------|--------|-----|
| REV. - | FSCM NO. 53919 | CAD FILE 100102 | SCALE N/A | SIZE A | 127 |
|--------|----------------|-----------------|-----------|--------|-----|