



## Bulkhead N Female to BNC Female Adapter

### RF Adapters Technical Data Sheet

PE9540

#### Configuration

- N Female Connector 1
- BNC Female Connector 2
- 50 Ohms
- Straight Body Geometry
- Bulkhead Mount Method

#### Features

- Typical VSWR of 1.3:1 up to 4 GHz
- N Interface compliant with MIL-STD-348A
- BNC Interface compliant with MIL-STD-348A
- Gold Plated Brass Contact
- 30 μ-in min Gold Contact Plating

#### Applications

- Allows Connection Between Series
- General Purpose Test
- Rack Mounted Equipment

#### Description

Pasternack's PE9540 bulkhead type N female to BNC female adapter is part of our full line of RF components available for same-day shipping. Our type N to BNC adapter has a female to female gender configuration. PE9540 type N female to BNC female adapter operates to 4 GHz. This RF type N bulkhead to BNC adapter allows designers to create external connections on their product enclosures, and can be used in a variety of other rack mount and panel mount applications.

RF adapters are often used to enable connections between two connector types that would otherwise not mate. Certain adapter configurations can also be used to protect connectors on expensive equipment where the number of connect/disconnect cycles is high. An RF, microwave or millimeter wave adapter is connected to the equipment, and the commonly changed connection is made with the adapter which can be easily replaced when it wears out after high usage; such adapters are referred to as connector savers. Pasternack also offers bulkhead, panel mount, hermetically sealed, reverse polarity, and isolated ground adapter varieties to serve all of your RF, microwave and millimeter wave needs.

#### Electrical Specifications

Description	Minimum	Typical	Maximum	Units
Frequency Range	DC		4	GHz
VSWR		1.3:1		
Operating Voltage (AC)			500	Vrms

Electrical Specification Notes:  
 Values at 25°C, sea level.

#### Mechanical Specifications

Size	
Length	1.5 in [38.1 mm]
Width	0.83 in [21.08 mm]
Weight	0.096 lbs [43.54 g]

Click the following link (or enter part number in "SEARCH" on website) to obtain additional part information including price, inventory and certifications: [Bulkhead N Female to BNC Female Adapter PE9540](#)



Bulkhead N Female to BNC Female Adapter

RF Adapters Technical Data Sheet

PE9540

Description	Connector 1	Connector 2
Type	N Female	BNC Female
Polarity	Standard	Standard
Interface Specification	MIL-STD-348A	MIL-STD-348A

**Material Specifications**

Description	Connector 1		Connector 2	
	Material	Plating	Material	Plating
Type	N Female		BNC Female	
Contact	Brass	Gold 30 μ-in minimum	Brass	Gold 30 μ-in minimum
Insulation	PTFE		PTFE	
Outer Conductor	Brass	Nickel 100 μ-in minimum	Brass	Nickel 100 μ-in minimum

**Environmental Specifications**

**Temperature**

Operating Range -65 to +165 deg C

**Compliance Certifications** (see [product page](#) for current document)

**Plotted and Other Data**

Notes:

Click the following link (or enter part number in "SEARCH" on website) to obtain additional part information including price, inventory and certifications: [Bulkhead N Female to BNC Female Adapter PE9540](#)



## Bulkhead N Female to BNC Female Adapter

### RF Adapters Technical Data Sheet

PE9540

Bulkhead N Female to BNC Female Adapter from Pasternack Enterprises has same day shipment for domestic and International orders. Our RF, microwave and millimeter wave products maintain a 99% availability and are part of the broadest selection in the industry.

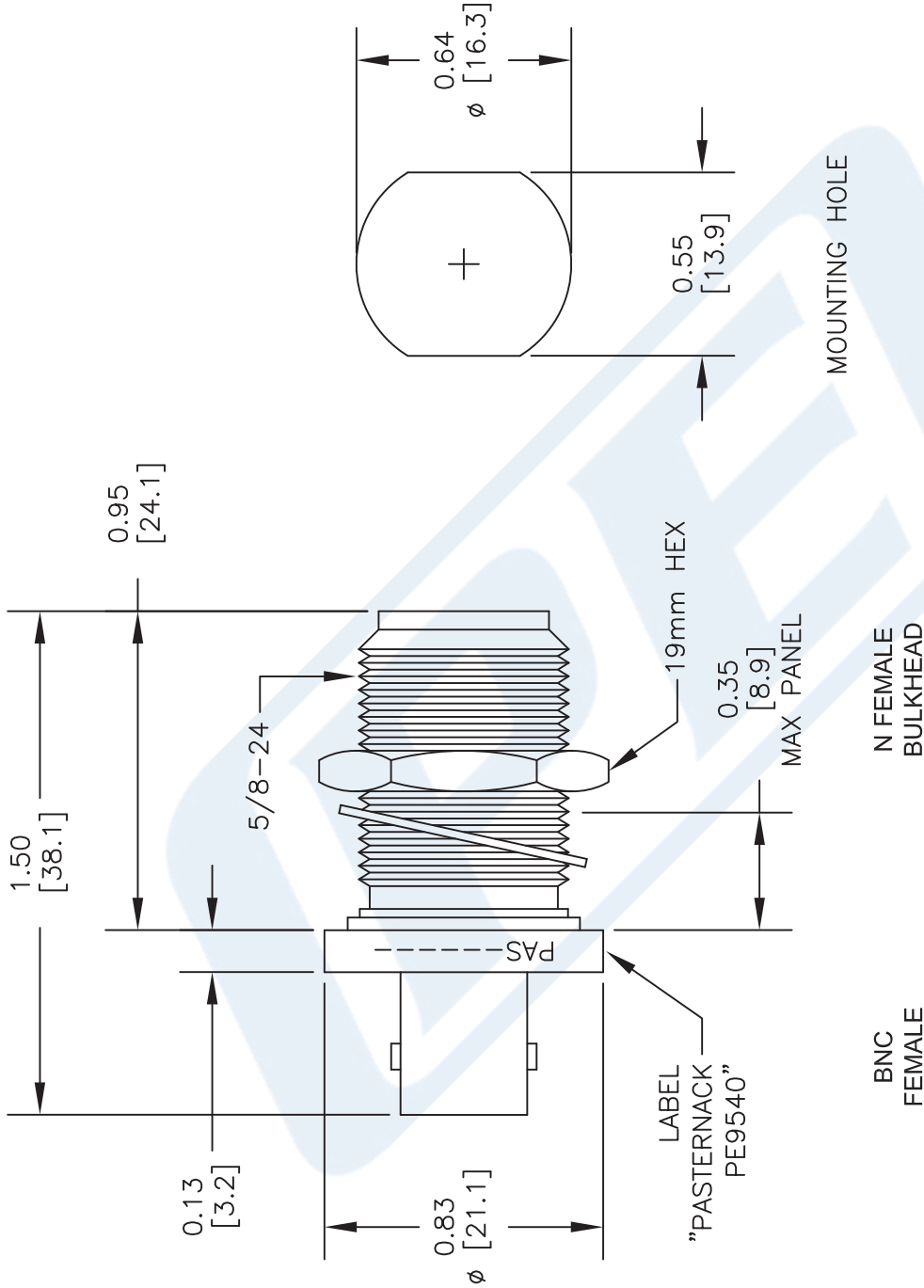
Click the following link (or enter part number in "SEARCH" on website) to obtain additional part information including price, inventory and certifications: [Bulkhead N Female to BNC Female Adapter PE9540](https://www.pasternack.com/n-female-bnc-female-straight-adapter-pe9540-p.aspx)

URL: <https://www.pasternack.com/n-female-bnc-female-straight-adapter-pe9540-p.aspx>

The information contained in this document is accurate to the best of our knowledge and representative of the part described herein. It may be necessary to make modifications to the part and/or the documentation of the part, in order to implement improvements. Pasternack reserves the right to make such changes as required. Unless otherwise stated, all specifications are nominal. Pasternack does not make any representation or warranty regarding the suitability of the part described herein for any particular purpose, and Pasternack does not assume any liability arising out of the use of any part or documentation.

# PE9540 CAD Drawing

## Bulkhead N Female to BNC Female Adapter



**STANDARD TOLERANCES**

.X ±0.2  
 .XX ±0.1  
 .XXX ±0.05

\*STANDARD TOLERANCES APPLY ONLY TO DIMENSIONS IN INCHES



**THE ENGINEER'S RF SOURCE**  
 Pasternack Enterprises, Inc.  
 P.O. Box 16759 | Irvine | CA | 92623  
 Phone: (949) 261-1920 | Fax: (949) 261-7451  
 Website: www.pasternack.com | E-Mail: sales@pasternack.com

DWG TITLE

**PE9540**

NOTES:  
 1. UNLESS OTHERWISE SPECIFIED ALL DIMENSIONS ARE NOMINAL.  
 2. ALL SPECIFICATIONS ARE SUBJECT TO CHANGE WITHOUT NOTICE AT ANY TIME.  
 3. DIMENSIONS ARE IN INCHES [mm].

FSCM NO. 53919

CAD FILE 061616

SCALE N/A

SIZE A

2233