



7/16 DIN Male to 7/16 DIN Male Adapter

RF Adapters Technical Data Sheet

PE9555

Configuration

- 7/16 DIN Male Connector 1
- 7/16 DIN Male Connector 2
- 50 Ohms
- Straight Body Geometry

Features

- 7/16 DIN Interface compliant with MIL-C-39012
- Silver Plated Contact
- Contact Plating per QQ-S-365

Applications

- General Purpose Test

Description

Pasternack's PE9555 7/16 DIN male to 7/16 DIN male adapter is part of our full line of RF components available for same-day shipping. Our 7/16 DIN to 7/16 DIN adapter has a male to male gender configuration.

RF adapters are often used to enable connections between two connector types that would otherwise not mate. Certain adapter configurations can also be used to protect connectors on expensive equipment where the number of connect/disconnect cycles is high. An RF, microwave or millimeter wave adapter is connected to the equipment, and the commonly changed connection is made with the adapter which can be easily replaced when it wears out after high usage; such adapters are referred to as connector savers. Pasternack also offers bulkhead, panel mount, hermetically sealed, reverse polarity, and isolated ground adapter varieties to serve all of your RF, microwave and millimeter wave needs.

Mechanical Specifications

Size

Length	1.85 in [46.99 mm]
Width	1.25 in [31.75 mm]
Weight	0.357 lbs [161.93 g]

Description	Connector 1	Connector 2
Type	7/16 DIN Male	7/16 DIN Male
Polarity	Standard	Standard
Interface Specification	MIL-C-39012	MIL-C-39012
Hex Size	1 1/4 in.	1 1/4 in.

Click the following link (or enter part number in "SEARCH" on website) to obtain additional part information including price, inventory and certifications: [7/16 DIN Male to 7/16 DIN Male Adapter PE9555](#)



7/16 DIN Male to 7/16 DIN Male Adapter

RF Adapters Technical Data Sheet

PE9555

Material Specifications

Description	Connector 1		Connector 2	
	Material	Plating	Material	Plating
Type	7/16 DIN Male		7/16 DIN Male	
Contact		Silver QQ-S-365		Silver QQ-S-365
Insulation	PTFE		PTFE	
Body	Brass	Nickel QQ-N-290	Brass	Nickel QQ-N-290
Coupling Nut	Brass	Nickel QQ-N-290	Brass	Nickel QQ-N-290

Compliance Certifications (see [product page](#) for current document)

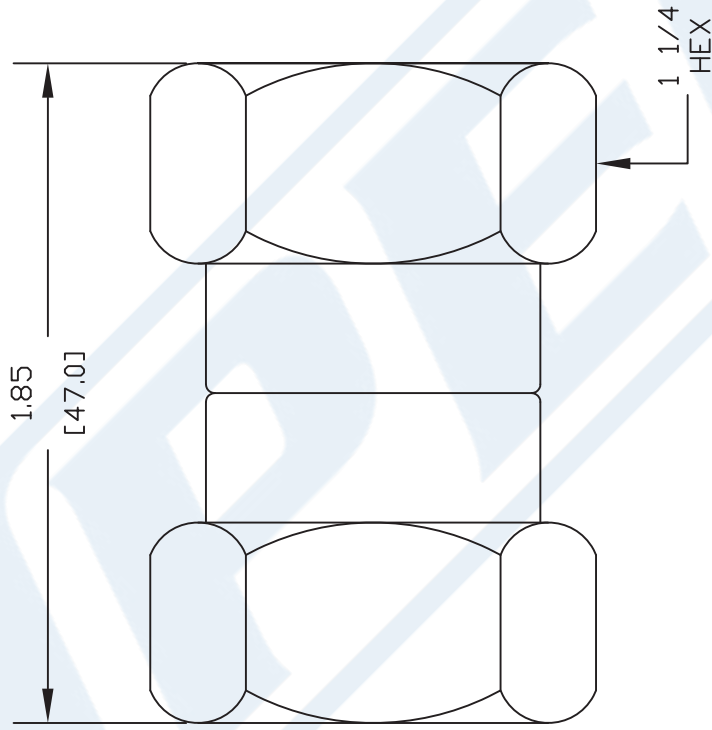
7/16 DIN Male to 7/16 DIN Male Adapter from Pasternack Enterprises has same day shipment for domestic and International orders. Our RF, microwave and millimeter wave products maintain a 99% availability and are part of the broadest selection in the industry.

Click the following link (or enter part number in "SEARCH" on website) to obtain additional part information including price, inventory and certifications: [7/16 DIN Male to 7/16 DIN Male Adapter PE9555](#)

URL: <https://www.pasternack.com/7-16-din-male-7-16-din-male-straight-adapter-pe9555-p.aspx>

The information contained in this document is accurate to the best of our knowledge and representative of the part described herein. It may be necessary to make modifications to the part and/or the documentation of the part, in order to implement improvements. Pasternack reserves the right to make such changes as required. Unless otherwise stated, all specifications are nominal. Pasternack does not make any representation or warranty regarding the suitability of the part described herein for any particular purpose, and Pasternack does not assume any liability arising out of the use of any part or documentation.

PE9555 CAD Drawing
7/16 DIN Male to 7/16 DIN Male Adapter



NOTES:
 1. UNLESS OTHERWISE SPECIFIED ALL DIMENSIONS ARE NOMINAL.
 2. ALL SPECIFICATIONS ARE SUBJECT TO CHANGE WITHOUT NOTICE AT ANY TIME.
 3. DIMENSIONS ARE IN INCHES [mm].

DWG TITLE
PE9555

PASTERNAK ENTERPRISES, INC.
 P.O. BOX 16759, IRVINE, CA 92623
 PHONE (949) 261-1920 FAX (949) 261-7451
 WEB ADDRESS: www.pasternack.com
 E-MAIL ADDRESS: sales@pasternack.com
COAXIAL & FIBER OPTICS



REV. -	FSCM NO. 53919	CAD FILE 100102	SCALE N/A	SIZE A	127
--------	----------------	-----------------	-----------	--------	-----